

FEATURES

- Fast time response
- 51 mm (2 inch) diameter
- Bialkali photocathode

SPECIFICATIONS



GENERAL

Parameter		Description / Value	Unit
Spectral response	R1828-01	300 to 650	nm
	R2059	160 to 650	nm
Wavelength of maximum response		420	nm
Photocathode	Material	Bialkali	—
	Minimum effective area	φ46	mm
Window material	R1828-01	Borosilicate glass	—
	R2059	Silica glass	—
Dynode	Structure	Linear focused	—
	Number of stages	12	—
Operating ambient temperature		-30 to +50	°C
Storage temperature		-30 to +50	°C
Base		JEDEC No. B20-102	—
Suitable socket		E678-20B (supplied)	—

MAXIMUM RATINGS (Absolute maximum values)

Parameter		Value	Unit
Supply voltage	Between anode and cathode	3000	V
	Between anode and last dynode	400	V
Average anode current		0.2	mA

CHARACTERISTICS (at 25 °C)

Parameter		Min.	Typ.	Max.	Unit
Cathode sensitivity	Luminous (2856 K)	60	90	—	μA/lm
	Radiant at 420 nm	—	85	—	mA/W
	Blue sensitivity index (CS 5-58)	—	10.5	—	—
Anode sensitivity	Luminous (2856 K)	200	1800	—	A/lm
	Radiant at 420 nm	—	1.7 × 10 ⁶	—	A/W
Gain		—	2.0 × 10 ⁷	—	—
Anode dark current (after 30 min storage in darkness)		—	50	400	nA
Time response	Anode pulse rise time	—	1.3	—	ns
	Electron transit time	—	28	—	ns
	Transit time spread (FWHM)	—	550	—	ps
Pulse linearity *	at 2 % deviation	—	250	—	mA
	at 5 % deviation	—	500	—	mA

NOTE: Anode characteristics are measured with the voltage distribution ratio shown below.

* Measured with the special voltage distribution ratio show below.

VOLTAGE DISTRIBUTION RATIO AND SUPPLY VOLTAGE

Electrodes	K	G	Dy1	Dy2	Dy3	Dy4	Dy5	Dy6	Dy7	Dy8	Dy9	Dy10	Dy11	Dy12	P
Ratio	1.2	2.8	1.2	1.8	1	1	1	1	1	1	1.5	1.5	3	2.5	

Supply voltage: 2500 V, K: Cathode, Dy: Dynode, P: Anode, G: Grid

SPECIAL VOLTAGE DISTRIBUTION RATIO FOR PULSE LINEARITY MEASUREMENTS

Electrodes	K	G	Dy1	Dy2	Dy3	Dy4	Dy5	Dy6	Dy7	Dy8	Dy9	Dy10	Dy11	Dy12	P
Ratio	1.2	2.8	1.2	1.8	1	1	1.2	1.5	2	2.8	4	5.7	8	5	

Supply voltage: 2500 V, K: Cathode, Dy: Dynode, P: Anode, G: Grid

PHOTOMULTIPLIER TUBE R1828-01, R2059

Figure 1: Typical spectral response

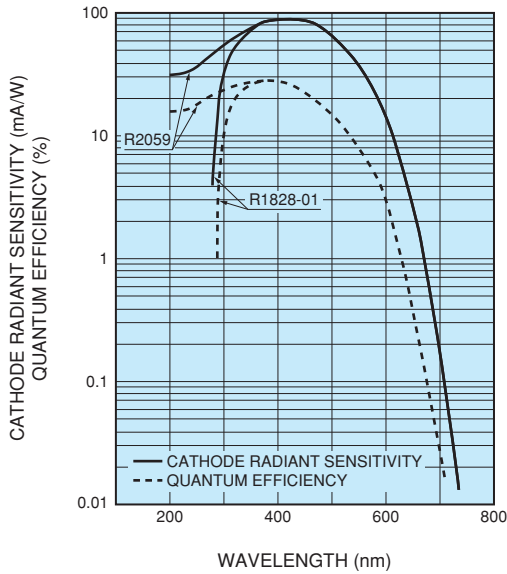


Figure 2: Typical gain characteristics

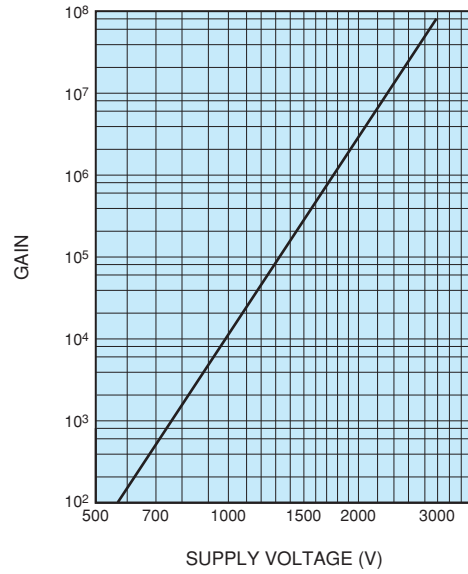
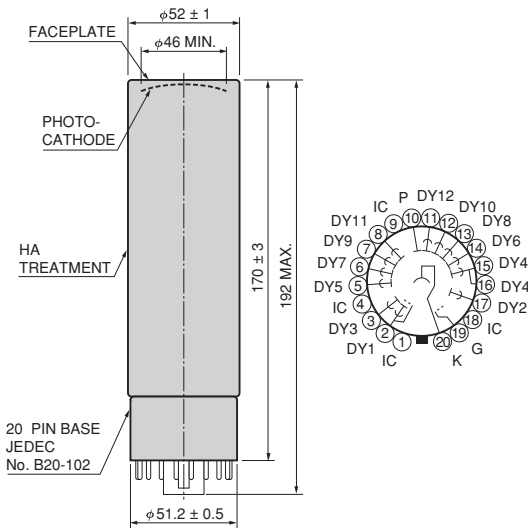
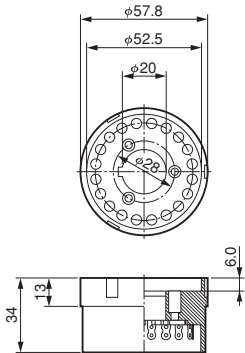


Figure 3: Dimensional outline and basing diagram (Unit: mm)

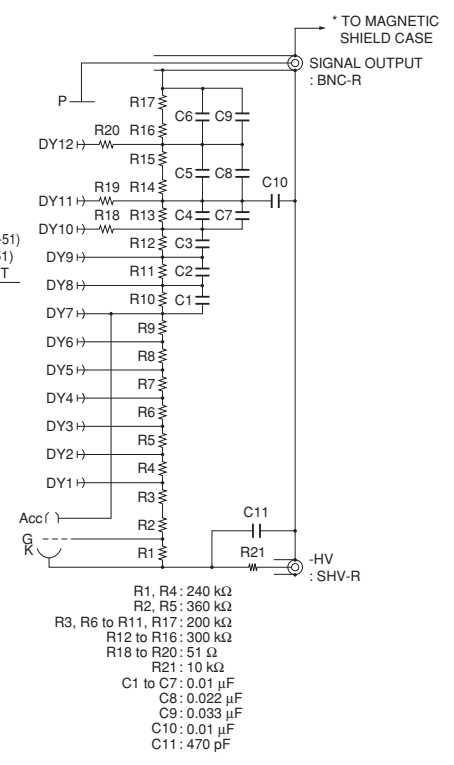
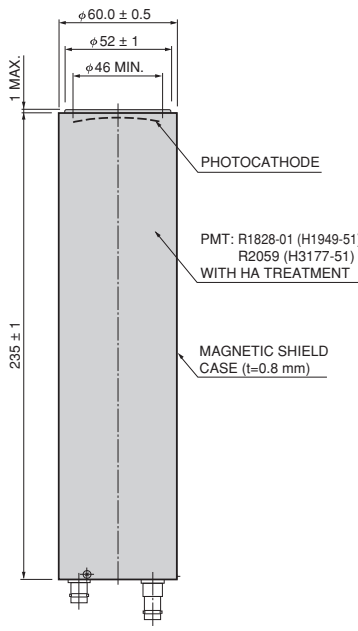


Socket E678-20B (Supplied)



RELATED PRODUCTS

PHOTOMULTIPLIER TUBE ASSEMBLY H1949-51/ H3177-51



* MAGNETIC SHIELD IS CONNECTED TO GND INSIDE OF THIS PRODUCT.

HAMAMATSU PHOTONICS K.K. www.hamamatsu.com

Electron Tube Division

314-5, Shimokanzo, Iwata City, Shizuoka Pref., 438-0193, Japan, Telephone: (81)539-62-5248, Fax: (81)539-62-2205

U.S.A.: HAMAMATSU CORPORATION: 360 Foothill Road, Bridgewater, NJ 08807, U.S.A., Telephone: (1)908-231-0960, Fax: (1)908-231-1218

Germany: HAMAMATSU PHOTONICS DEUTSCHLAND GMBH.: Arzbergerstr. 10, 82211 Herrsching am Ammersee, Germany, Telephone: (49)8152-375-0, Fax: (49)8152-265-8 E-mail: info@hamamatsu.de

France: HAMAMATSU PHOTONICS FRANCE S.A.R.L.: 19 Rue du Saulie Trappu, Parc du Moulin de Massy, 91882 Massy Cedex, France, Telephone: (33)1 69 53 71 00, Fax: (33)1 69 53 71 10 E-mail: info@hamamatsu.fr

United Kingdom: HAMAMATSU PHOTONICS UK LIMITED: 2 Howard Court, 10 Twin Road, Welwyn Garden City, Hertfordshire, AL7 1BW, UK, Telephone: (44)1707-294888, Fax: (44)1707-325777 E-mail: info@hamamatsu.co.uk

North Europe: HAMAMATSU PHOTONICS NORDEN AB: Torshamnsgatan 35, 16440 Kista, Sweden, Telephone: (46)8-509-031-00, Fax: (46)8-509-031-01 E-mail: info@hamamatsu.se

Italy: HAMAMATSU PHOTONICS ITALIA S.R.L.: Strada della Moia, 1 int. 6 20044 Arese (Milano), Italy, Telephone: (39)02-93 58 17 33, Fax: (39)02-93 58 17 41 E-mail: info@hamamatsu.it

China: HAMAMATSU PHOTONICS (CHINA) CO., LTD.: 1201, Tower B, Jiaming Center, 27 Dongsanhuan Beilu, Chaoyang District, 100020 Beijing, P.R. China, Telephone: (86)10-6586-6006, Fax: (86)10-6586-2866 E-mail: hpc@hamamatsu.com.cn

Taiwan: HAMAMATSU PHOTONICS TAIWAN CO., LTD.: 13F-1, No.101, Section 2, Gongdao 5th Road, East Dist., Hsinchu City, 300046, Taiwan(R.O.C) Telephone: (886)3-659-0080, Fax: (886)3-659-0081 E-mail: info@hamamatsu.com.tw

TPMH1259E06
FEB. 2025 IP