

■FEATURES

- High radiant flux density
- Low coherency

■APPLICATIONS

- Optical measurement
- Imaging instruments for medical



■ABSOLUTE MAXIMUM RATINGS ($T_{op}(C) = 25\text{ }^{\circ}C$)

Parameter	Symbol	Value	Unit
Radiant output power	Φ_e	35	mW
Forward current	I_f	140	mA
Reverse voltage	V_r	1.5	V
Operating temperature	$T_{op}(C)$	0 to +50	$^{\circ}C$
Storage temperature	T_{stg}	-20 to +80	$^{\circ}C$

■ELECTRICAL AND OPTICAL CHARACTERISTICS ($T_{op}(C) = 25\text{ }^{\circ}C$)

Parameter	Symbol	Conditions	Value			Unit	
			Min.	Typ.	Max.		
Peak emission wavelength	λ_c	$\Phi_e = 30\text{ mW}$	855	875	895	nm	
Spectral radiation half bandwidth	$\Delta\lambda$		7	10	13	nm	
Forward voltage	V_{op}		—	1.7	1.9	V	
Forward current	I_{op}		—	110	125	mA	
Beam spread angle	Parallel	$\theta_{//}$	$\Phi_e = 30\text{ mW}$ FWHM	6	11	16	$^{\circ}$ (degree)
	Vertical	θ_{\perp}		26	36	46	$^{\circ}$ (degree)
Emitting width	—	Value at designing	—	5	—	μm	
Coherent length	L_c	$\Phi_e = 30\text{ mW}$	—	70	—	μm	

SLD (Super Luminescent Diode) L11607-04

Figure 1: Radiant output power vs. Forward current (typ.)

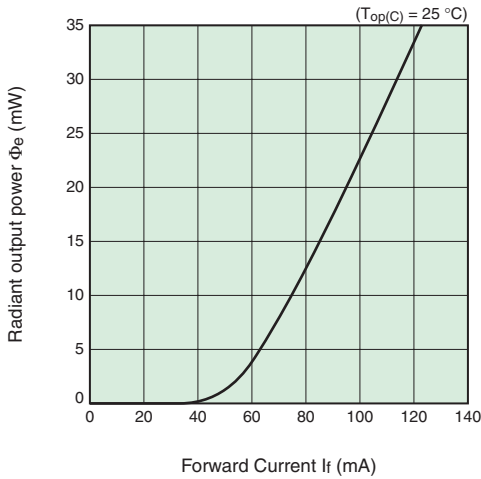


Figure 2: Typical emission spectrum

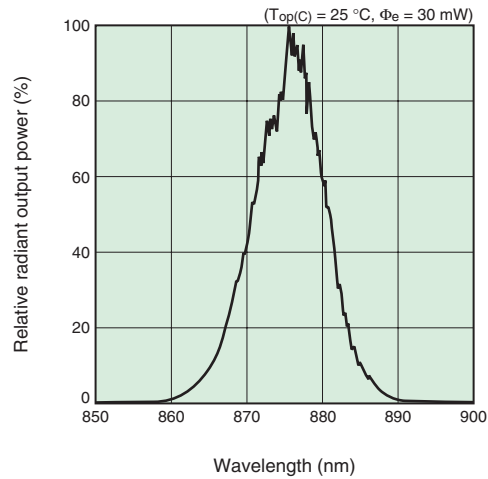


Figure 3: Directivity (typ.)

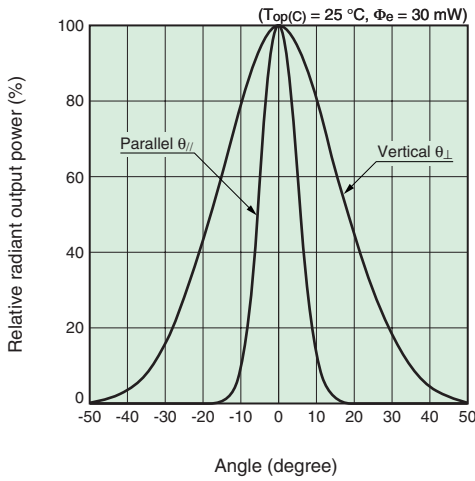
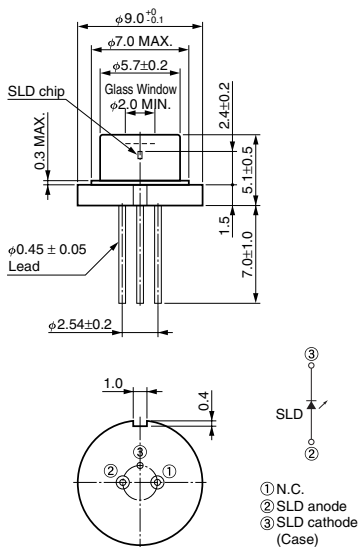


Figure 4: Dimensional outline (unit: mm)



HAMAMATSU PHOTONICS K.K. www.hamamatsu.com

HAMAMATSU PHOTONICS K.K., Laser Group, Sales Dept.

1-8-3, Shinmiyakoda, Kita-ku, Hamamatsu City, Shizuoka, 431-2103, Japan, Telephone: (81)53-484-1301, Fax: (81)53-484-1302, E-mail: laser-g@lsr.hpk.co.jp

U.S.A.: Hamamatsu Corporation: 360 Foothill Road, P. O. Box 6910, Bridgewater, N.J. 08807-0910, U.S.A., Telephone: (1)908-231-0960, Fax: (1)908-231-1218 E-mail: usa@hamamatsu.com

Germany: Hamamatsu Photonics Deutschland GmbH: Arzbergerstr. 10, D-82211 Herrsching am Ammersee, Germany, Telephone: (49)8152-375-0, Fax: (49)8152-2658 E-mail: info@hamamatsu.de

France: Hamamatsu Photonics France S.A.R.L.: 19, Rue du Saule Trapu, Parc du Moulin de Massy, 91882 Massy Cedex, France, Telephone: (33)1 69 53 71 00, Fax: (33)1 69 53 71 10 E-mail: infos@hamamatsu.fr

United Kingdom: Hamamatsu Photonics UK Limited: 2 Howard Court, 10 Tewin Road Welwyn Garden City Hertfordshire AL7 1BW, United Kingdom, Telephone: 44-(0)1707-294888, Fax: 44(0)1707-325777 E-mail: info@hamamatsu.co.uk

North Europe: Hamamatsu Photonics Norden AB: Smidesvägen 12, SE-171-41 SOLNA, Sweden, Telephone: (46)8-509-031-00, Fax: (46)8-509-031-01 E-mail: info@hamamatsu.se

Italy: Hamamatsu Photonics Italia: S.R.L.: Strada della Moia, 1/E, 20020 Arese, (Milano), Italy, Telephone: (39)02-935 81 733, Fax: (39)02-935 81 741 E-mail: info@hamamatsu.it

China: Hamamatsu Photonics (China) Co., Ltd.: 1201 Tower B, Jiaming Center, 27 Dongsanhuan Road North, Chaoyang District, Beijing 100020, China, Telephone: (86)10-6586-6006, Fax: (86)10-6586-2866 E-mail: hpc@hamamatsu.com.cn

Cat. No. LSLD2001E01
SEPT. 2012 IP