



[**GA type**]

C13366 series

Optical measurement modules for low-level-light detection, Analog output

The C13366 series (GA type) are optical measurement modules capable of detecting low level light. These modules consist of a thermoelectrically cooled MPPC, a signal amplifier circuit, a high-voltage power supply circuit, and a temperature control circuit. The photosensitive area is available in two sizes of 1.3 × 1.3 mm and 3 × 3 mm, and the signal output is analog. Modules operate just by connecting them to an external power supply (±5 V).

Features

- ➔ Built-in TE-cooled MPPC [MPPC for precision measurement (new product)]
- ➔ High sensitivity in the short wavelength range
- ➔ Low noise equivalent power
- ➔ Built-in temperature control function
- ➔ Analog output

Applications

- ➔ Low-level-light measurement
- ➔ Flow cytometry
- ➔ Fluorescence measurement
- ➔ Analytical instrument

Structure

Parameter	Symbol	C13366-1350GA	C13366-3050GA	Unit
Internal MPPC	-	S13362-1350DG	S13362-3050DG	-
Effective photosensitive area	-	1.3 × 1.3	3 × 3	mm
Pixel pitch	-	50		μm
Number of pixels	-	667	3600	-

Absolute maximum ratings

Parameter	Symbol	Condition	Value	Unit
Supply voltage	Vs		±6	V
Operating temperature	Topr	No dew condensation*1	-10 to +40	°C
Storage temperature	Tstg	No dew condensation*1	-20 to +70	°C

*1: When there is a temperature difference between a product and the surrounding area in high humidity environment, dew condensation may occur on the product surface. Dew condensation on the product may cause deterioration in characteristics and reliability.

Note: Exceeding the absolute maximum ratings even momentarily may cause a drop in product quality. Always be sure to use the product within the absolute maximum ratings.

Electrical and optical characteristics (Typ. Ta=25 °C, λ=λp, Vs=±5 V, unless otherwise noted)

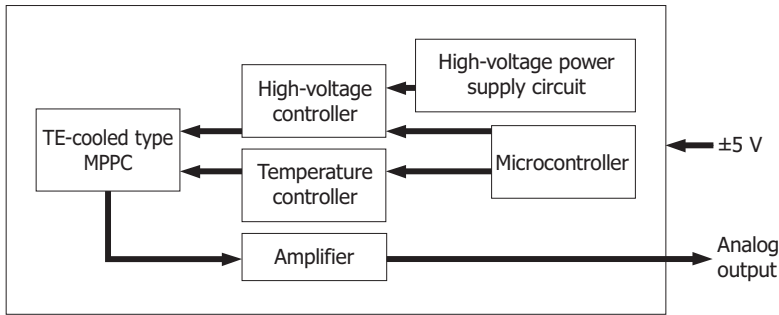
Parameter	Symbol	Condition	C13366-1350GA			C13366-3050GA			Unit
			Min.	Typ.	Max.	Min.	Typ.	Max.	
Spectral response range	λ		320 to 900			320 to 900			nm
Peak sensitivity wavelength	λp		-	500	-	-	500	-	nm
Element temperature (setting temperature)	Td		-	-20	-	-	-20	-	°C
Photoelectric sensitivity	-		0.7 × 10 ⁹	1.0 × 10 ⁹	1.3 × 10 ⁹	0.7 × 10 ⁹	1.0 × 10 ⁹	1.3 × 10 ⁹	V/W
Cutoff frequency	High band	-3 dB, sine wave	3	4	-	3	4	-	MHz
	Low band		DC			DC			-
Rise time	tr	10 % to 90%, 1.p.e.	-	5	-	-	9	-	ns
Noise equivalent power	NEP	Dark state	-	0.1	0.2	-	0.15	0.3	fW/Hz ^{1/2}
Minimum detection limit	-	Dark state	-	0.25	0.5	-	0.35	0.7	pW rms
Maximum output voltage	-		-	4.7	-	-	4.7	-	V

Electrical characteristics

Parameter	Symbol	Condition	Min.	Typ.	Max.	Unit
Supply voltage*2	+Vs		+4.75	+5	+5.25	V
	-Vs		-4.75	-5	-5.25	
Current consumption	Ic	+Vs	-	+200	+1000	mA
		-Vs	-	-20	-40	

*2: A power supply with 1 A or higher output must be used.

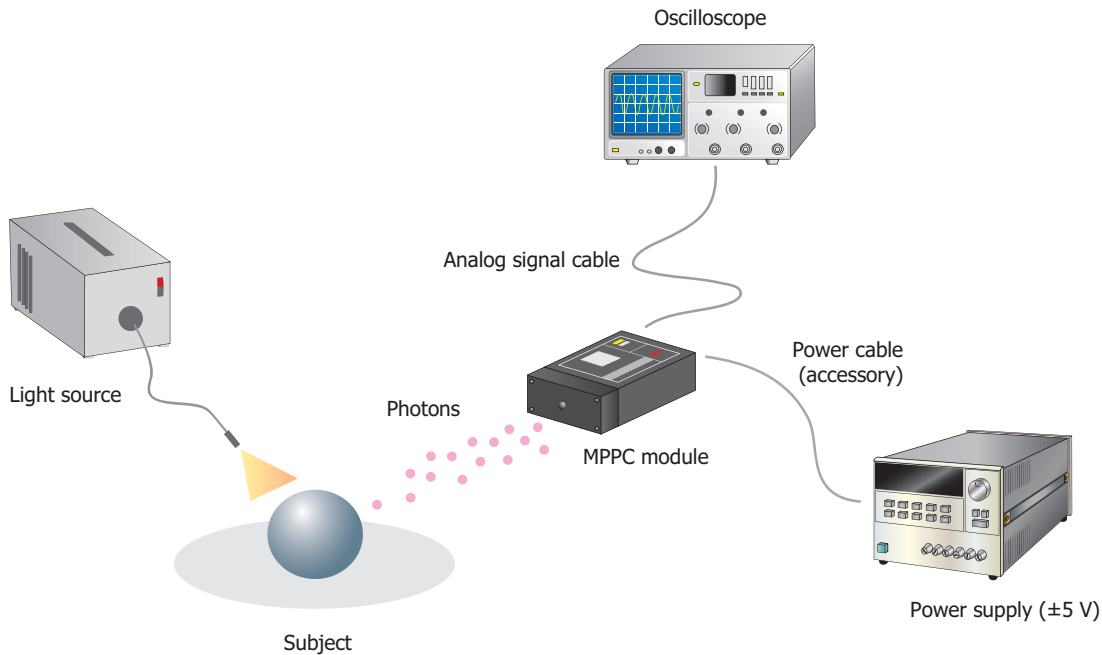
Block diagram



KACCC0680EA

Connection example

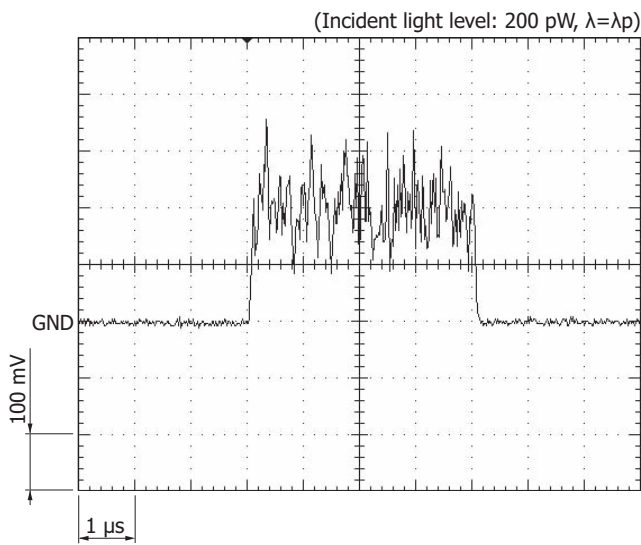
Using the supplied power cable, connect the MPPC module to a power supply. You can monitor the output waveform by connecting the MPPC module to an oscilloscope.



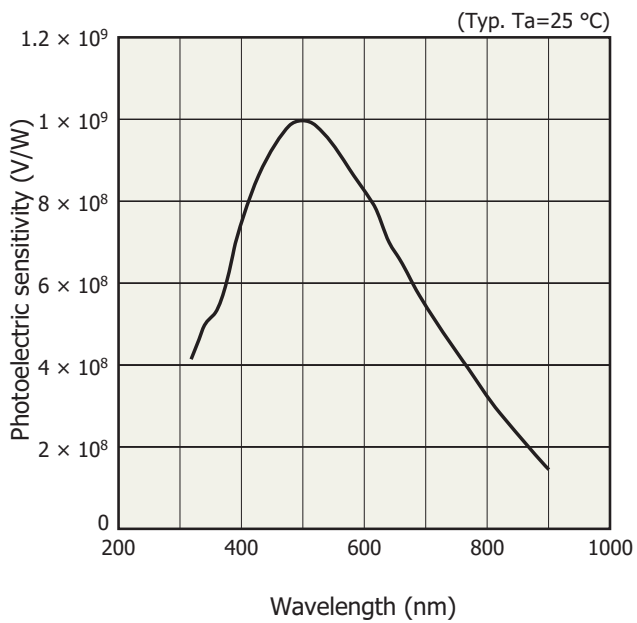
KACCC0684EA

Measurement example

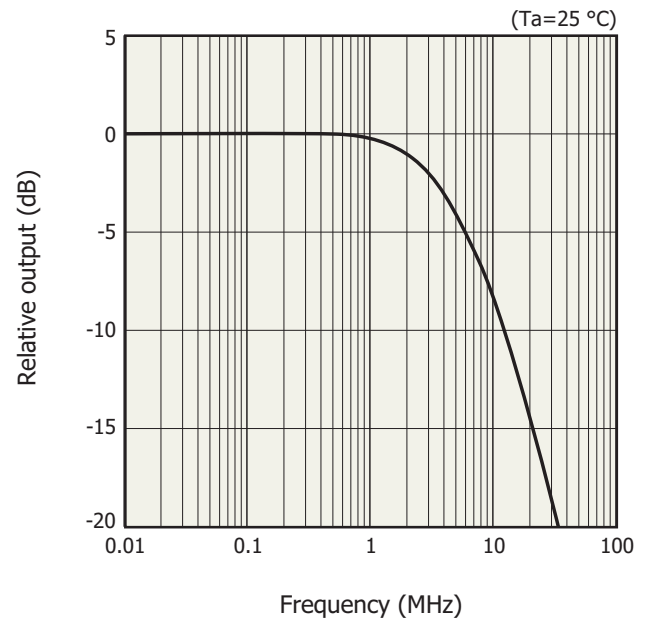
Analog output



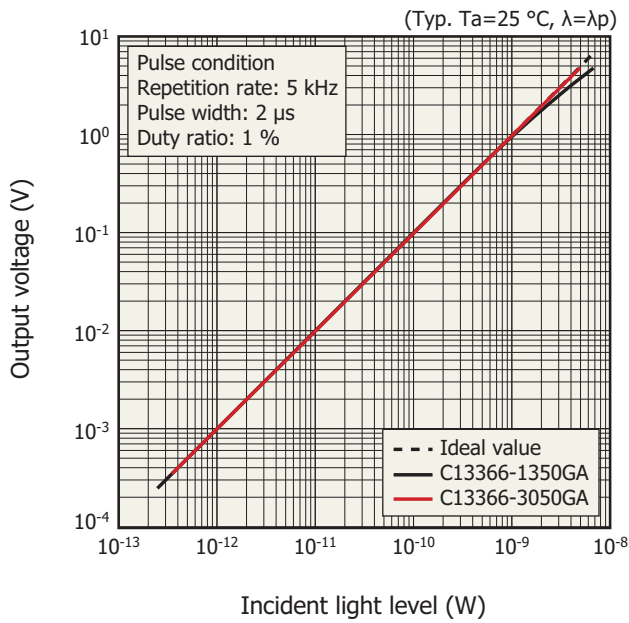
Photoelectric sensitivity vs. wavelength



Frequency response (typical example)

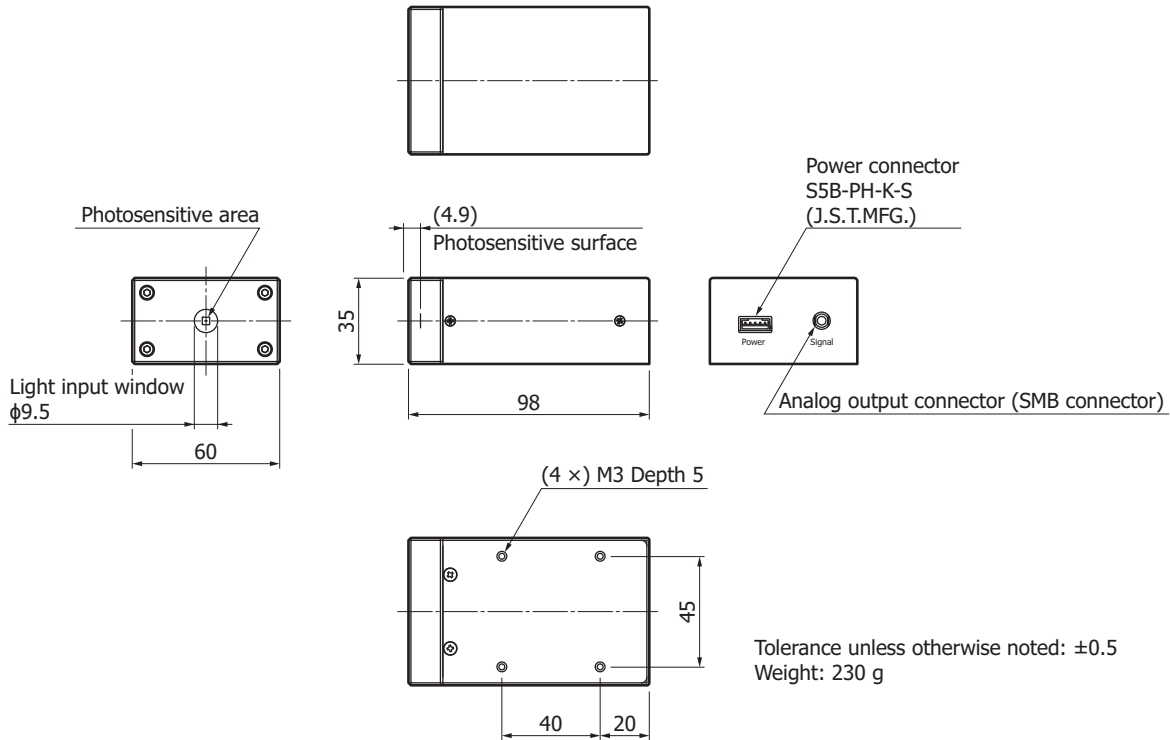


▣ Linearity



KACCB0396EA

▣ Dimensional outline (unit: mm)



KACCA0314EC

Accessories

- Power cable
- Instruction manual

Options (sold separately)

Coaxial converter adapter A10613 series

The A10613 series is a coaxial adapter that converts the SMB coaxial connector for signal-output on the MPPC module to a BNC or SMA coaxial connector. This adapter allows connecting a BNC or SMA cable to the MPPC module.



A10613-01 (SMB-BNC)



A10613-02 (SMB-SMA)

Precautions

- For cleaning the product, wipe using a clean, soft, dry cloth. Do not use organic solvents such as thinner and acetone.
- Do not cover the product with a dark cloth or something similar while the product is running. Covering it can cause the internal temperature to rise and cause abnormal operation.

Lineup of MPPC modules

Type no.	Output	Effective photosensitive area (mm)	Pixel pitch (μm)	Cooling		
C13365-1350SA	Analog	1.3 × 1.3	50	Non-cooled		
C13365-3050SA		3 × 3				
C13366-1350GA	Analog	1.3 × 1.3		50	TE-cooled	
C13366-3050GA		3 × 3				
C13366-1350GD	Digital	1.3 × 1.3			50	TE-cooled
C13366-3050GD		3 × 3				

Related information

www.hamamatsu.com/sp/ssd/doc_en.html

- Precautions
- Disclaimer

MPPC is a registered trademark of Hamamatsu Photonics K.K.

Information described in this material is current as of March 2020.

Product specifications are subject to change without prior notice due to improvements or other reasons. This document has been carefully prepared and the information contained is believed to be accurate. In rare cases, however, there may be inaccuracies such as text errors. Before using these products, always contact us for the delivery specification sheet to check the latest specifications.

The product warranty is valid for one year after delivery and is limited to product repair or replacement for defects discovered and reported to us within that one year period. However, even if within the warranty period we accept absolutely no liability for any loss caused by natural disasters or improper product use. Copying or reprinting the contents described in this material in whole or in part is prohibited without our prior permission.

HAMAMATSU

www.hamamatsu.com

HAMAMATSU PHOTONICS K.K., Solid State Division

1126-1 Ichino-cho, Higashi-ku, Hamamatsu City, 435-8558 Japan, Telephone: (81)53-434-3311, Fax: (81)53-434-5184

U.S.A.: Hamamatsu Corporation: 360 Foothill Road, Bridgewater, N.J. 08907, U.S.A., Telephone: (1)908-231-0960, Fax: (1)908-231-1218, E-mail: usa@hamamatsu.com

Germany: Hamamatsu Photonics Deutschland GmbH: Arzbergerstr. 10, D-82211 Herrsching am Ammersee, Germany, Telephone: (49)8152-375-0, Fax: (49)8152-265-8, E-mail: info@hamamatsu.de

France: Hamamatsu Photonics France S.A.R.L.: 19, Rue du Saule Trapu, Parc du Moulin de Massy, 91882 Massy Cedex, France, Telephone: (33)1 69 53 71 00, Fax: (33)1 69 53 71 10, E-mail: infos@hamamatsu.fr

United Kingdom: Hamamatsu Photonics UK Limited: 2 Howard Court, 10 Tewin Road, Welwyn Garden City, Hertfordshire AL7 1BW, United Kingdom, Telephone: (44)1707-294888, Fax: (44)1707-325777, E-mail: info@hamamatsu.co.uk

North Europe: Hamamatsu Photonics Norden AB: Torshamnsgatan 35 16440 Kista, Sweden, Telephone: (46)8-509 031 00, Fax: (46)8-509 031 01, E-mail: info@hamamatsu.se

Italy: Hamamatsu Photonics Italia S.r.l.: Strada della Moia, 1 int. 6, 20020 Arese (Milano), Italy, Telephone: (39)02-93 58 17 33, Fax: (39)02-93 58 17 41, E-mail: info@hamamatsu.it

China: Hamamatsu Photonics (China) Co., Ltd.: B1201, Jiaming Center, No.27 Dongsanhuan Beilu, Chaoyang District, 100020 Beijing, P.R.China, Telephone: (86)10-6586-6006, Fax: (86)10-6586-2866, E-mail: hpc@hamamatsu.com.cn

Taiwan: Hamamatsu Photonics Taiwan Co., Ltd.: 8F-3, No. 158, Section2, Gongdao 5th Road, East District, Hsinchu, 300, Taiwan R.O.C. Telephone: (886)3-659-0080, Fax: (886)3-659-0081, E-mail: info@hamamatsu.com.tw