

L5276, L5586, L6286

Subminiature LED

L5276, L5586 and L6286 are infrared LED molded into a subminiature, clear plastic package.

Features

- **Peak emission wavelength**
L5276: 880 nm
L5586, L6286: 940 nm
- **L6286: High output power**
- **Subminiature plastic package with lens**

Applications

- **Optical switches**
- **Cameras**
- **Encoders**

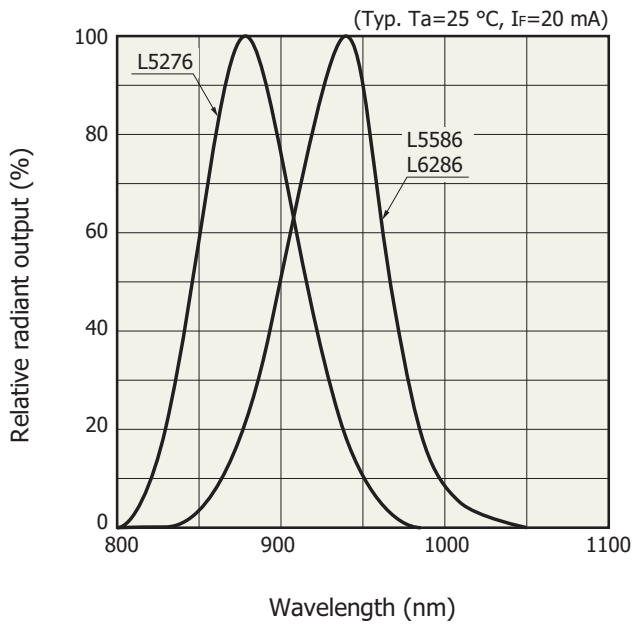
Absolute maximum ratings (Ta=25 °C)

Parameter	Symbol	Condition	Value	Unit
Forward current	I _F		50	mA
Reverse voltage	V _R		5	V
Pulse forward current	I _{FP}	Pulse width: 100 μs Duty ratio: 1 %	0.5	A
Power dissipation	P _o		75	mW
Operating temperature	T _{opr}		-25 to +85	°C
Storage temperature	T _{stg}		-30 to +85	°C
Soldering	-		260 °C, 3 s at least 2.5 mm away from package surface	-

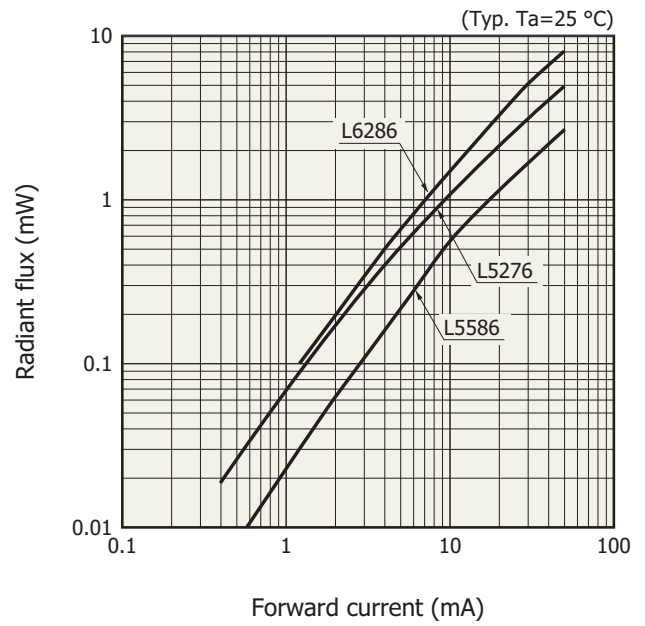
Electrical and optical characteristics (Ta=25 °C)

Parameter	Symbol	Condition	L5276			L5586			L6286			Unit
			Min.	Typ.	Max.	Min.	Typ.	Max.	Min.	Typ.	Max.	
Peak emission wavelength	λ _p	I _F =20 mA	-	880	-	-	940	-	-	940	-	nm
Spectral half width	Δλ	I _F =20 mA	-	60	-	-	45	-	-	45	-	nm
Forward voltage	V _F	I _F =20 mA	-	1.3	1.6	-	1.25	1.45	-	1.25	1.45	V
Reverse current	I _R	V _R =5 V	-	-	10	-	-	10	-	-	10	μA
Radiant flux	φ _e	I _F =20 mA	1.0	2.2	-	0.5	-	-	0.8	-	-	mW
Terminal capacitance	C _t	V _R =0 V, f=1 MHz	-	30	-	-	20	-	-	20	-	pF

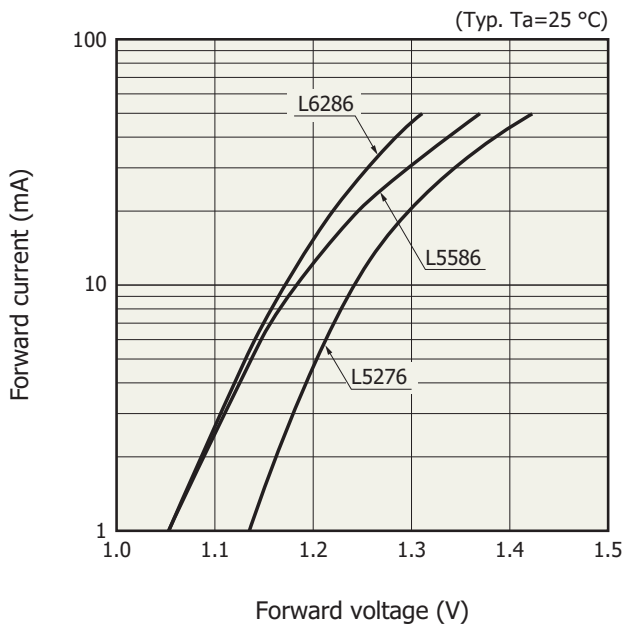
Emission spectrum



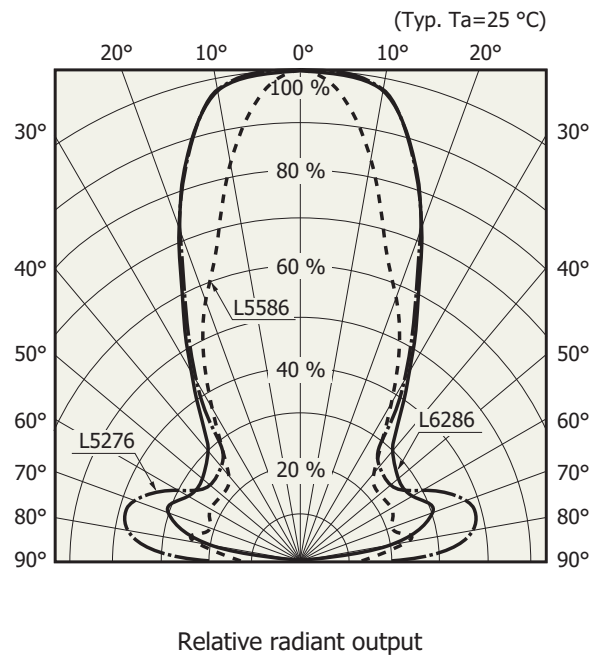
Radiant flux vs. forward current



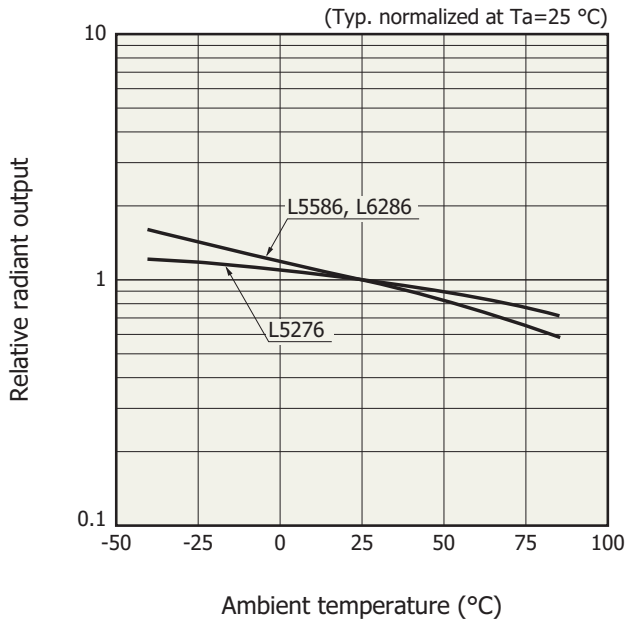
Forward current vs. forward voltage



Directivity

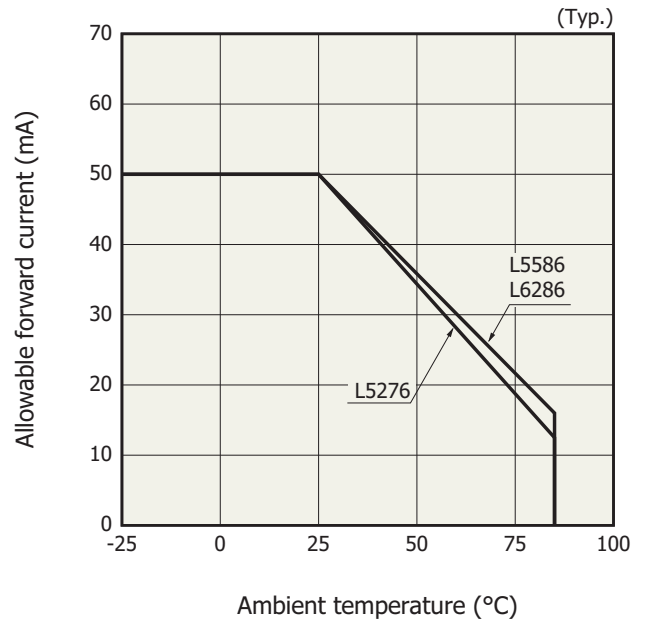


▣ Radiant output vs. ambient temperature



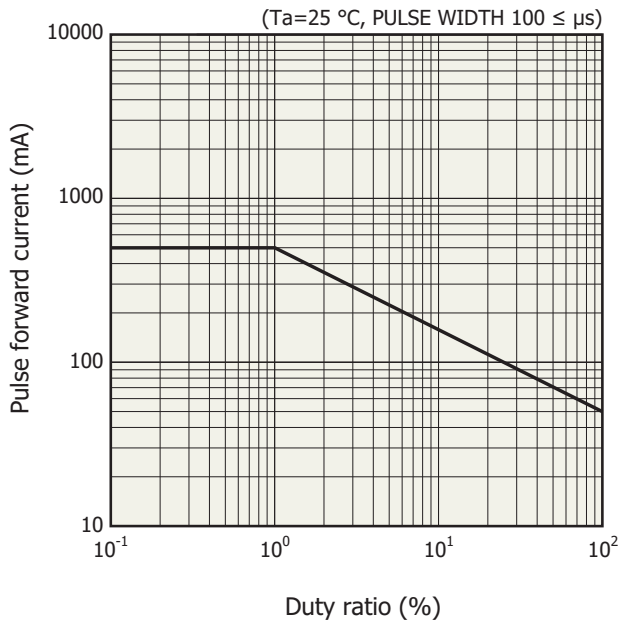
KLEDB0109EB

▣ Allowable forward current vs. ambient temperature



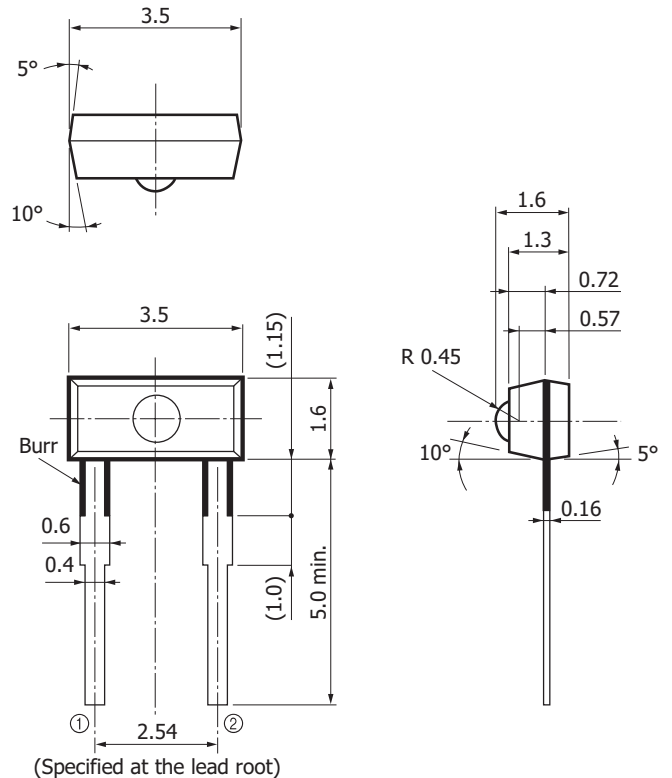
KLEDB0110EB

▣ Pulse forward current vs. duty ratio



KLEDB0111EB

▣ Dimensional outline (unit: mm)



Shaded area indicates burr.
 Tolerance unless otherwise noted: ±0.2, ±2°
 Values in parentheses are not guaranteed,
 but for reference.

KLEDA0023EB

Related information

www.hamamatsu.com/sp/ssd/doc_en.html

■ Precautions

- Disclaimer
- Metal, ceramic, plastic packages

■ Technical information

- LED

Information described in this material is current as of June 2020.

Product specifications are subject to change without prior notice due to improvements or other reasons. This document has been carefully prepared and the information contained is believed to be accurate. In rare cases, however, there may be inaccuracies such as text errors. Before using these products, always contact us for the delivery specification sheet to check the latest specifications.

The product warranty is valid for one year after delivery and is limited to product repair or replacement for defects discovered and reported to us within that one year period. However, even if within the warranty period we accept absolutely no liability for any loss caused by natural disasters or improper product use. Copying or reprinting the contents described in this material in whole or in part is prohibited without our prior permission.

HAMAMATSU

www.hamamatsu.com

HAMAMATSU PHOTONICS K.K., Solid State Division

1126-1 Ichino-cho, Higashi-ku, Hamamatsu City, 435-8558 Japan, Telephone: (81)53-434-3311, Fax: (81)53-434-5184

U.S.A.: Hamamatsu Corporation: 360 Foothill Road, Bridgewater, N.J. 08907, U.S.A., Telephone: (1)908-231-0960, Fax: (1)908-231-1218, E-mail: usa@hamamatsu.com

Germany: Hamamatsu Photonics Deutschland GmbH: Arzbergerstr. 10, D-82211 Herrsching am Ammersee, Germany, Telephone: (49)8152-375-0, Fax: (49)8152-265-8, E-mail: info@hamamatsu.de

France: Hamamatsu Photonics France S.A.R.L.: 19, Rue du Saule Trapu, Parc du Moulin de Massy, 91882 Massy Cedex, France, Telephone: (33)1 69 53 71 00, Fax: (33)1 69 53 71 10, E-mail: infos@hamamatsu.fr

United Kingdom: Hamamatsu Photonics UK Limited: 2 Howard Court, 10 Tewin Road, Welwyn Garden City, Hertfordshire AL7 1BW, United Kingdom, Telephone: (44)1707-294888, Fax: (44)1707-325777, E-mail: info@hamamatsu.co.uk

North Europe: Hamamatsu Photonics Norden AB: Torshamnsgatan 35 16440 Kista, Sweden, Telephone: (46)8-509 031 00, Fax: (46)8-509 031 01, E-mail: info@hamamatsu.se

Italy: Hamamatsu Photonics Italia S.r.l.: Strada della Moia, 1 int. 6, 20020 Arese (Milano), Italy, Telephone: (39)02-93 58 17 33, Fax: (39)02-93 58 17 41, E-mail: info@hamamatsu.it

China: Hamamatsu Photonics (China) Co., Ltd.: B1201, Jiaming Center, No.27 Dongsanhuan Beilu, Chaoyang District, 100020 Beijing, P.R.China, Telephone: (86)10-6586-6006, Fax: (86)10-6586-2866, E-mail: hpc@hamamatsu.com.cn

Taiwan: Hamamatsu Photonics Taiwan Co., Ltd.: 8F-3, No. 158, Section2, Gongdao 5th Road, East District, Hsinchu, 300, Taiwan R.O.C. Telephone: (886)3-659-0080, Fax: (886)3-659-0081, E-mail: info@hamamatsu.com.tw