

S10604-200CT

COB (chip on board) type, small package

The S10604-200CT photo IC has spectral response close to human eye sensitivity. Two photosensitive areas are made on a single chip. Almost only the visible range can be measured by finding the difference between the two output signals in the internal current amplifier circuit. Effects of infrared remote control light on sensitivity are reduced when compared to previous types.

Features

- Spectral response close to human eye sensitivity
- Small package: 2.0 × 1.25 × 0.8^t mm
About 1/5 the cubic volume of previous type (S9067-201CT)
- Lower output-current fluctuations compared with phototransistors
- Excellent linearity
- Low output fluctuations for light sources producing the same illuminance at different color temperatures
- Suitable for lead-free reflow (RoHS compliance)

Applications

- Liquid crystal monitor backlight dimmer for cellular phone
- Energy-saving sensor for large-screen TVs, etc.
- Light dimmers for liquid crystal panels
- Various types of light level measurement

Absolute maximum ratings (Ta=25 °C)

Parameter	Symbol	Condition	Value	Unit
Reverse voltage	VR		-0.5 to +12	V
Photocurrent	IL		5	mA
Forward current	IF		5	mA
Power dissipation*1	P		150	mW
Operating temperature	Topr	No dew condensation*2	-30 to +80	°C
Storage temperature	Tstg	No dew condensation*2	-40 to +85	°C
Soldering temperature	Tsol		260 (two times)*3	°C

*1: Power dissipation decreases at a rate of 2 mW/°C above Ta=25 °C.

*2: When there is a temperature difference between a product and the surrounding area in high humidity environment, dew condensation may occur on the product surface. Dew condensation on the product may cause deterioration in characteristics and reliability.

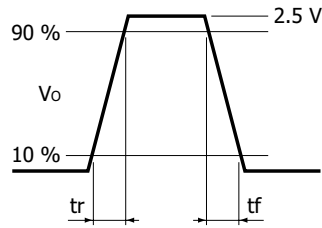
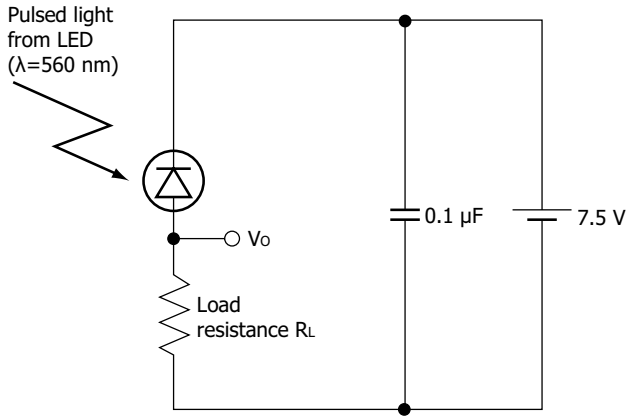
*3: Reflow soldering, IPC/JEDEC J-STD-020 MSL 3, see P.5

Note: Exceeding the absolute maximum ratings even momentarily may cause a drop in product quality. Always be sure to use the product within the absolute maximum ratings.

Electrical and optical characteristics (Ta=25 °C)

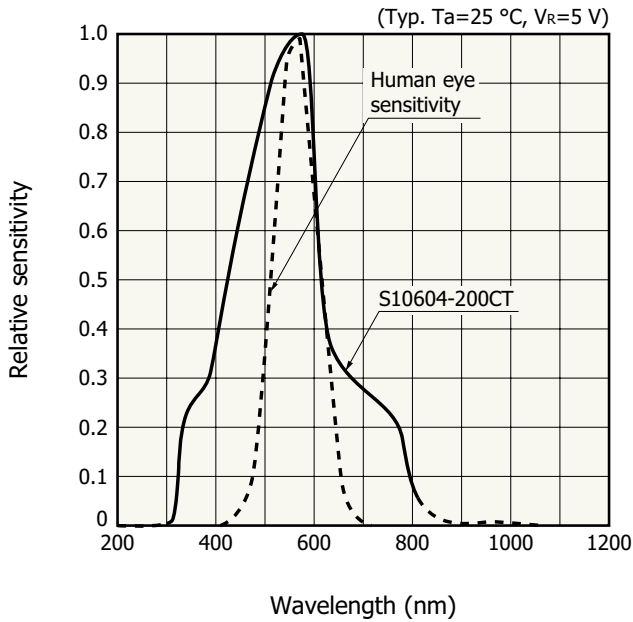
Parameter	Symbol	Condition	Min.	Typ.	Max.	Unit
Spectral response range	λ		-	300 to 820	-	nm
Peak sensitivity wavelength	λ_p		-	560	-	nm
Dark current	ID	VR=5 V	-	1	50	nA
Photocurrent	IL	VR=5 V, 2856 K, 100 lx	0.21	-	0.39	mA
Rise time*4	tr	10 to 90%, VR=7.5 V RL=10 k Ω , λ =560 nm	-	6.0	-	ms
Fall time*4	tf	90 to 10%, VR=7.5 V RL=10 k Ω , λ =560 nm	-	2.5	-	ms

*4: Rise/fall time measurement method (P.2)



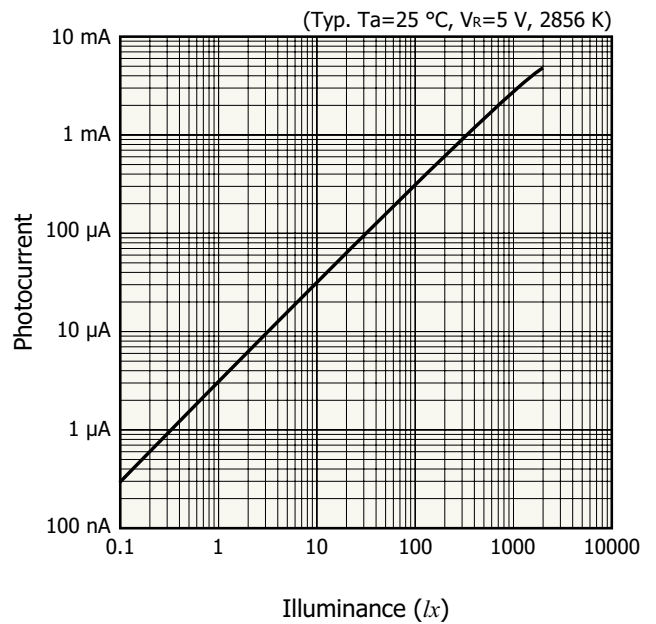
KPIC0041EA

Spectral response



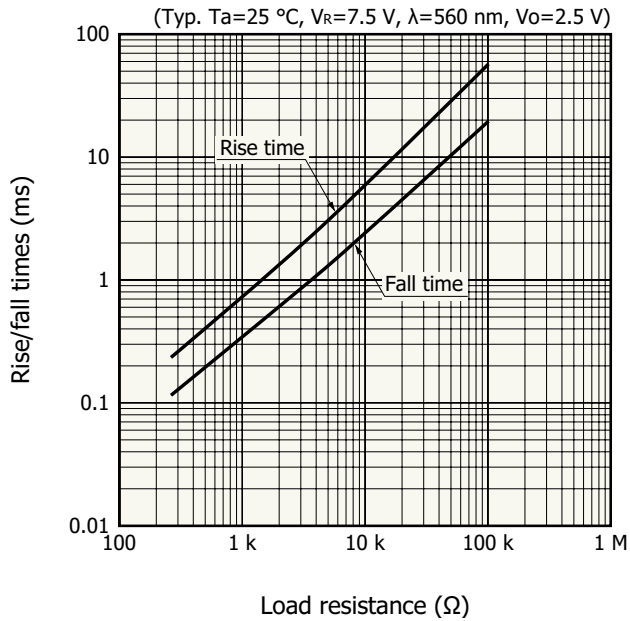
KPICB0112ED

Photocurrent vs. illuminance



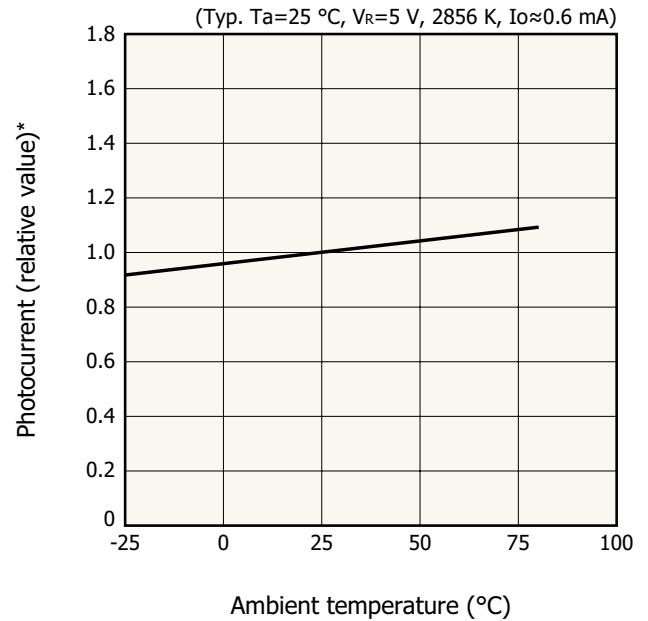
KPICB0083EC

Rise/fall times vs. load resistance



KPICB0077EB

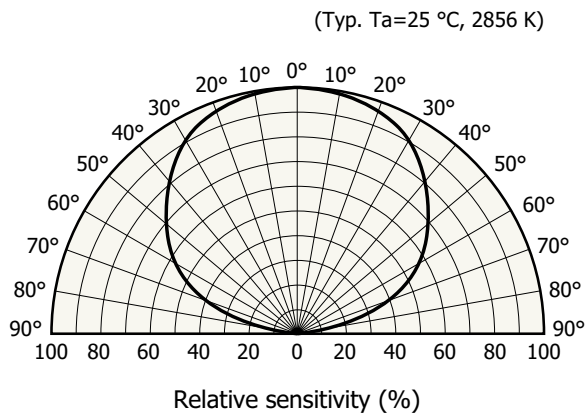
Photocurrent vs. ambient temperature



* At $T_a=25\text{ }^\circ\text{C}$ normalized to 1

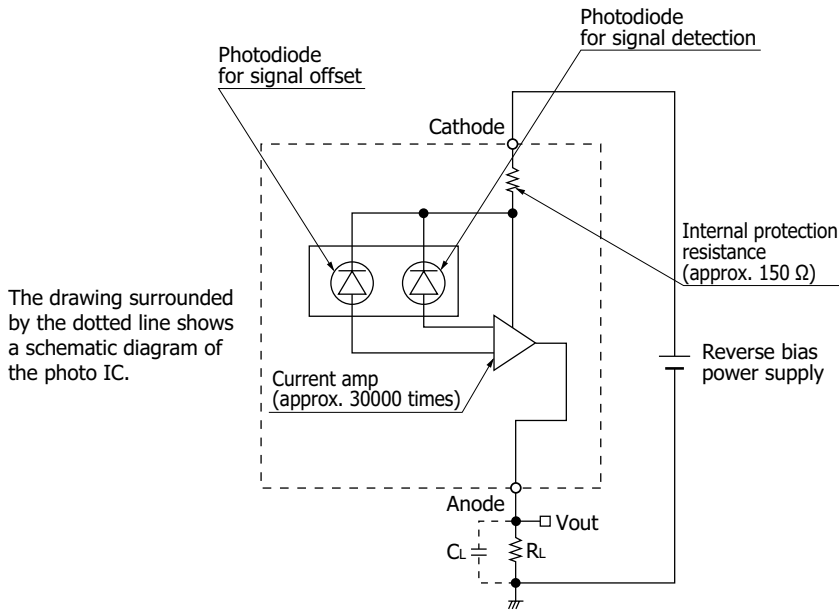
KPICB0116EA

Directivity



KPICB0117EA

Operating circuit example

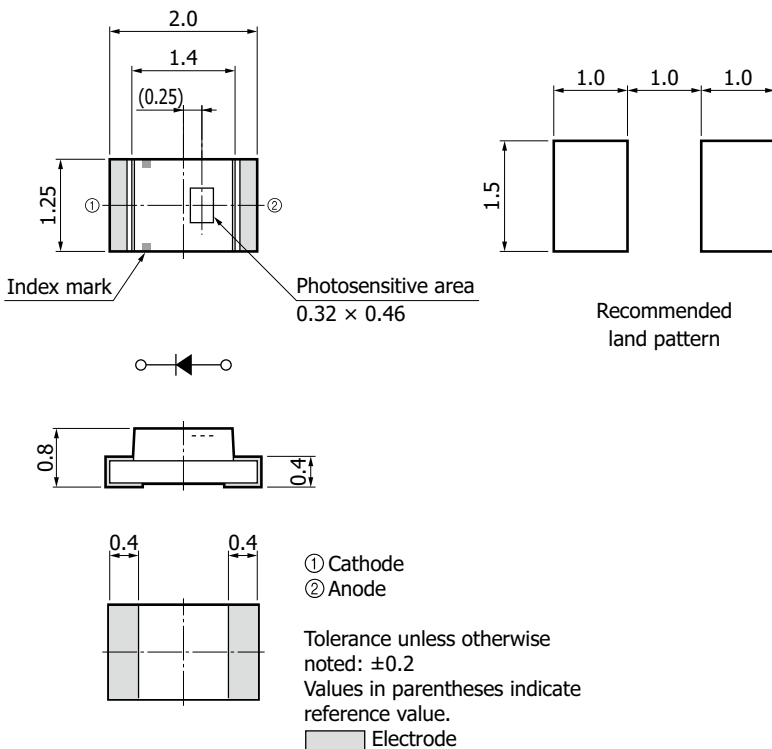


KPIC00132EA

The photo IC diode must be reverse-biased so that a positive potential is applied to the cathode. To eliminate high-frequency components, we recommend placing a load capacitance C_L in parallel with load resistance R_L as a low-pass filter.

$$\text{Cutoff frequency } f_c \approx \frac{1}{2\pi C_L R_L}$$

Dimensional outline (unit: mm)



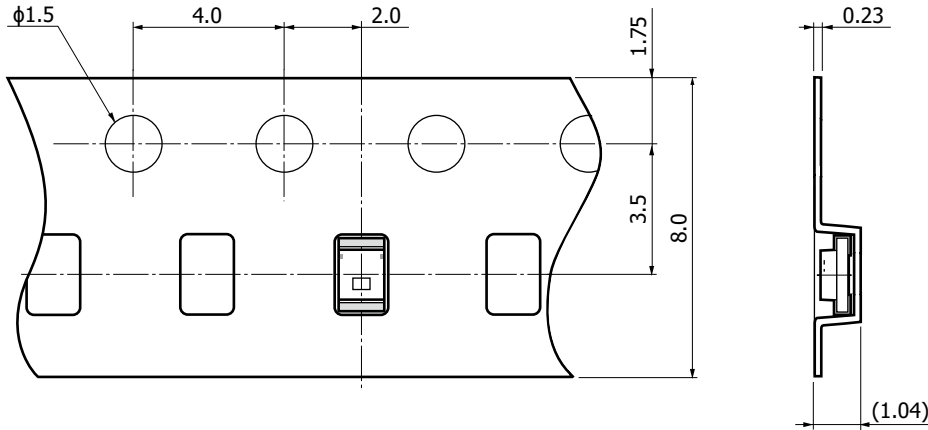
KPICA0072EC

Reel packing specifications

■ Reel (conforms to JEITA ET-7200)

Outer diameter	Hub diameter	Tape width	Material	Electrostatic characteristics
φ180 mm	φ60 mm	8 mm	PS	Antistatic treatment

■ Embossed tape (unit: mm, material: PS, electrically conductive)

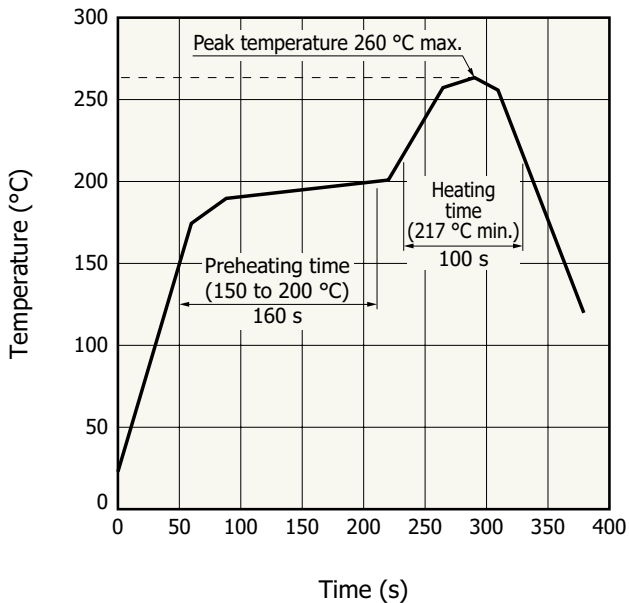


KPIC0377EA

■ Packing quantity
3000 pcs/reel

■ Packing type
Reel and desiccant in moisture-proof packaging (vacuum-sealed)

Recommended soldering conditions



KPIC0119EA

- After unpacking, store this device in an environment at a temperature of 5 to 25 °C and a humidity below 60%, and perform reflow soldering on this device within 168 hours (7 days).
- Thermal stress applied to the device during reflow soldering differs depending on the PC boards and reflow oven being used. When setting the reflow conditions, make sure that the reflow soldering process does not degrade device reliability.

❖ Operating voltage, output characteristics

Figure 2 shows the photocurrent vs. reverse voltage characteristics (light source: LED) for the measurement circuit example in Figure 1. The output curves are shown for illuminance levels. The output curves rise from a reverse voltage (rising voltage) of approximately 0.7 V ($\pm 10\%$).

To protect the photo IC diode from excessive current, a $150\ \Omega$ ($\pm 20\%$) protection resistor is inserted in the circuit. Reverse voltage V_R when the photo IC diode is saturated is the sum of $V_{be(ON)}$ and the voltage drop across the protection resistor R_{in} [Equation (1)].

$$V_R = V_{be(ON)} + I_L \times R_{in} \dots\dots\dots (1)$$

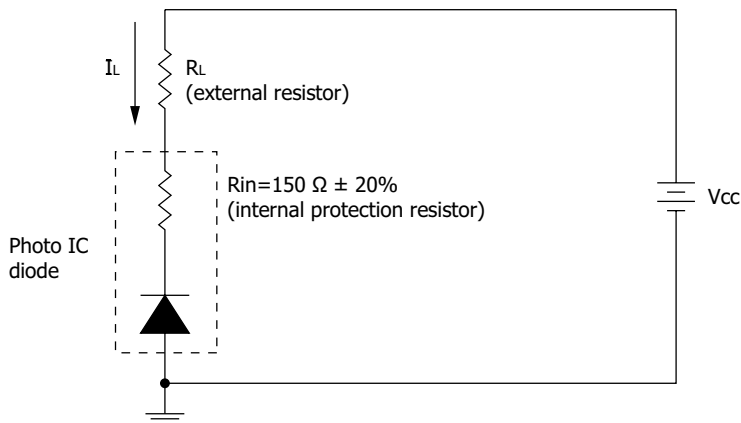
The photodiode's reverse voltage (V_R) is expressed by Equation (2) according to the voltage drop across the external resistor. This is indicated as load lines in Figure 2.

$$V_R = V_{CC} - I_L \times R_L \dots\dots\dots (2)$$

In Figure 2, the intersections between the output curves and the load lines are the saturation points. From these points, the maximum detectable light level can be specified. Since the maximum light level is determined by the supply voltage (V_{CC}) and load resistance (R_L), adjust them according to the operating conditions.

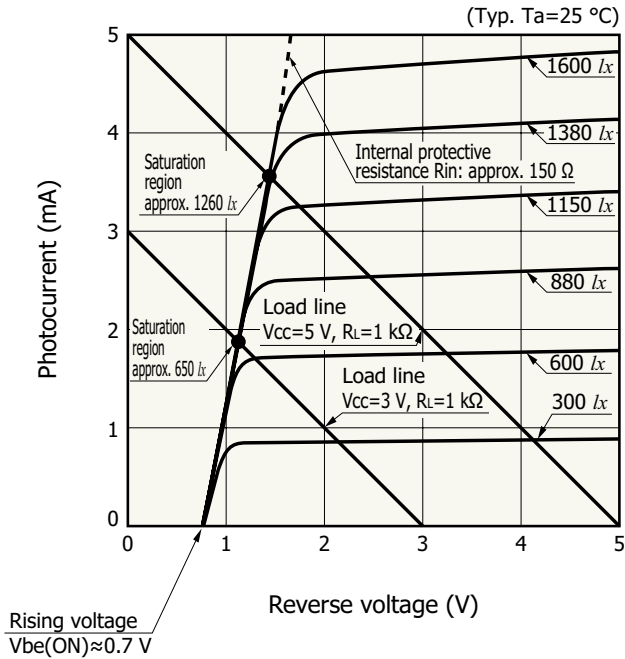
Note: The temperature characteristics of $V_{be(ON)}$ is approximately $-2\text{ mV}/^\circ\text{C}$, and that of the protection resistor is approximately $0.1\%/^\circ\text{C}$.

[Figure 1] Measurement circuit example



KPIC00128EC

[Figure 2] Photocurrent vs. reverse voltage



KPICB0107EC

Related information

www.hamamatsu.com/sp/ssd/doc_en.html

Precautions

- Disclaimer
- Surface mount type products / Precautions

Information described in this material is current as of December, 2022.

Product specifications are subject to change without prior notice due to improvements or other reasons. This document has been carefully prepared and the information contained is believed to be accurate. In rare cases, however, there may be inaccuracies such as text errors. Before using these products, always contact us for the delivery specification sheet to check the latest specifications.

The product warranty is valid for one year after delivery and is limited to product repair or replacement for defects discovered and reported to us within that one year period. However, even if within the warranty period we accept absolutely no liability for any loss caused by natural disasters or improper product use. Copying or reprinting the contents described in this material in whole or in part is prohibited without our prior permission.

HAMAMATSU

www.hamamatsu.com

HAMAMATSU PHOTONICS K.K., Solid State Division

1126-1 Ichino-cho, Higashi-ku, Hamamatsu City, 435-8558 Japan, Telephone: (81)53-434-3311, Fax: (81)53-434-5184

U.S.A.: HAMAMATSU CORPORATION: 360 Foothill Road, Bridgewater, NJ 08807, U.S.A., Telephone: (1)908-231-0960, Fax: (1)908-231-1218

Germany: HAMAMATSU PHOTONICS DEUTSCHLAND GMBH: Arzbergerstr. 10, 82211 Herrsching am Ammersee, Germany, Telephone: (49)8152-375-0, Fax: (49)8152-265-8 E-mail: info@hamamatsu.de

France: HAMAMATSU PHOTONICS FRANCE S.A.R.L.: 19 Rue du Saule Trapu, Parc du Moulin de Massy, 91882 Massy Cedex, France, Telephone: (33)1 69 53 71 00, Fax: (33)1 69 53 71 10 E-mail: infos@hamamatsu.fr

United Kingdom: HAMAMATSU PHOTONICS UK LIMITED: 2 Howard Court, 10 Tewin Road, Welwyn Garden City, Hertfordshire, AL7 1BW, UK, Telephone: (44)1707-294888, Fax: (44)1707-325777 E-mail: info@hamamatsu.co.uk

North Europe: HAMAMATSU PHOTONICS NORDEN AB: Torshamnsgatan 35, 16440 Kista, Sweden, Telephone: (46)8-509-031-00, Fax: (46)8-509-031-01 E-mail: info@hamamatsu.se

Italy: HAMAMATSU PHOTONICS ITALIA S.R.L.: Strada della Moia, 1 int. 6 20044 Arese (Milano), Italy, Telephone: (39)02-93 58 17 33, Fax: (39)02-93 58 17 41 E-mail: info@hamamatsu.it

China: HAMAMATSU PHOTONICS (CHINA) CO., LTD.: 1201, Tower B, Jiaming Center, 27 Dongsanhuan Bellu, Chaoyang District, 100020 Beijing, P.R. China, Telephone: (86)10-6586-6006, Fax: (86)10-6586-2866 E-mail: hpc@hamamatsu.com.cn

Taiwan: HAMAMATSU PHOTONICS TAIWAN CO., LTD.: 8F-3, No.158, Section 2, Gongdao 5th Road, East District, Hsinchu, 300, Taiwan R.O.C. Telephone: (886)3-659-0080, Fax: (886)3-659-0081 E-mail: info@hamamatsu.com.tw