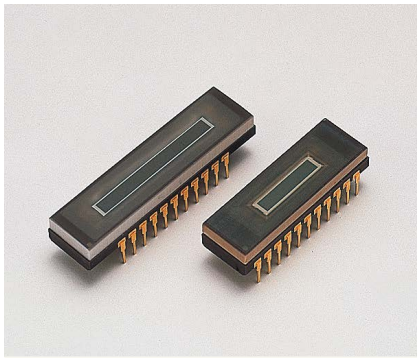


NMOS linear image sensor



S3901/S3904-F series

NMOS linear image sensors with fiber optic windows

NMOS linear image sensors are self-scanning photodiode arrays designed specifically as detectors for multichannel spectroscopy. The scanning circuit is made up of N-channel MOS transistors, operates at low power consumption and is easy to handle. Each photodiode has a large active area, high sensitivity yet very low noise, delivering a high S/N even at low light levels. S3901/S3904-F series are current-output type NMOS linear image sensors with fiber optic windows and feature superior output linearity and wide dynamic range. The fiber optic windows allow efficient optical coupling to an image device such as image intensifiers suitable for low-light-level detection.

The photodiodes of S3901-F series have a height of 2.5 mm and are arrayed in a row at a spacing of 50 μm . The photodiodes of S3904-F series also have a height of 2.5 mm but are arrayed at a spacing of 25 μm . The photodiodes are available in 2 different pixel quantities for each series: 256 (S3901-256F), 512 (S3901-512F, S3904-512F), 1024 (S3904-1024F).

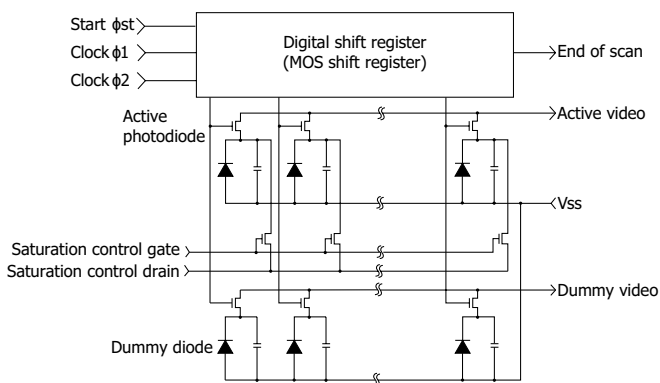
Features

- **Wide active area**
Pixel pitch: 50 μm (S3901-F series)
25 μm (S3904-F series)
Pixel height: 2.5 mm
- **Low dark current and high saturation charge allow a long integration time and a wide dynamic range at room temperature**
- **Excellent output linearity and sensitivity spatial uniformity**
- **Lower power consumption: 1 mW max.**
- **Start pulse and clock pulses are CMOS logic compatible**

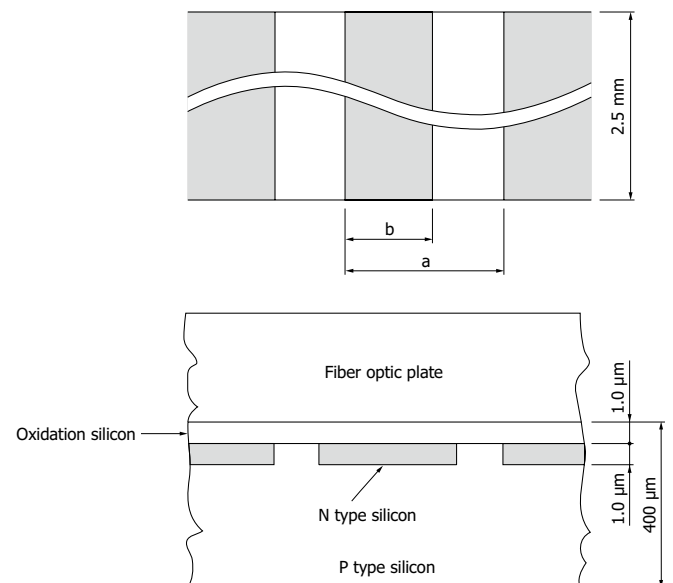
Applications

- **Multichannel spectrophotometry**
- **Image readout system**

Equivalent circuit



Active area structure



S3901-F series: a=50 μm , b=45 μm
S3904-F series: a=25 μm , b=20 μm

▣ Absolute maximum ratings

Parameter	Symbol	Value	Unit
Input pulse (ϕ_1 , ϕ_2 , ϕ_{st}) voltage	$V\phi$	15	V
Power consumption*1	P	1	mW
Operating temperature*2	Topr	-40 to +65	°C
Storage temperature	Tstg	-40 to +85	°C

*1: $V\phi=5.0$ V

*2: No condensation

▣ Shape specifications

Parameter	S3901-256F	S3901-512F	S3904-512F	S3904-1024F	Unit
Number of pixels	256	512	512	1024	-
Package length	31.75	40.6	31.75	40.6	mm
Number of pins	22		22		-
Window material	Fiber optic plate		Fiber optic plate		-
Weight	8.0	10.0	8.0	10.0	g

▣ Specifications (Ta=25 °C)

Parameter	Symbol	S3901-F series			S3904-F series			Unit
		Min.	Typ.	Max.	Min.	Typ.	Max.	
Pixel pitch	-	-	50	-	-	25	-	μm
Pixel height	-	-	2.5	-	-	2.5	-	mm
Spectral response range (10% of peak)	λ	360 to 1000			360 to 1000			nm
Peak sensitivity wavelength	λ_p	-	600	-	-	600	-	nm
Photodiode dark current*3	I_D	-	0.2	0.6	-	0.1	0.3	pA
Photodiode capacitance*3	Cph	-	20	-	-	10	-	pF
Saturation exposure*3 *4	Esat	-	200	-	-	200	-	$Mlx \cdot s$
Saturation output charge*3	Qsat	-	50	-	-	25	-	pC
Photo response non-uniformity*5	PRNU	-	-	±5	-	-	±5	%

*3: $V_b=2.0$ V, $V\phi=5.0$ V

*4: 2856 K, tungsten lamp

*5: 50% of saturation, excluding the start pixel and last pixel

Electrical characteristics (Ta=25 °C)

Parameter	Symbol	Condition	S3901-F series			S3904-F series			Unit
			Min.	Typ.	Max.	Min.	Typ.	Max.	
Clock pulse ($\phi 1, \phi 2$) voltage	High	$V\phi 1, V\phi 2$ (H)	4.5	5	10	4.5	5	10	V
	Low	$V\phi 1, V\phi 2$ (L)	0	-	0.4	0	-	0.4	V
Start pulse (ϕst) voltage	High	$V\phi st$ (H)	4.5	$V\phi 1$	10	4.5	$V\phi 1$	10	V
	Low	$V\phi st$ (L)	0	-	0.4	0	-	0.4	V
Video bias voltage*6	Vb		1.5	$V\phi - 3.0$	$V\phi - 2.5$	1.5	$V\phi - 3.0$	$V\phi - 2.5$	V
Saturation control gate voltage	$Vscg$		-	0	-	-	0	-	V
Saturation control drain voltage	$Vscd$		-	Vb	-	-	Vb	-	V
Clock pulse ($\phi 1, \phi 2$) rise / fall time*7	$tr\phi 1, tr\phi 2$ $tf\phi 1, tf\phi 2$		-	20	-	-	20	-	ns
Clock pulse ($\phi 1, \phi 2$) pulse width	$tpw\phi 1, tpw\phi 2$		200	-	-	200	-	-	ns
Start pulse (ϕst) rise / fall time	$tr\phi st, tf\phi st$		-	20	-	-	20	-	ns
Start pulse (ϕst) pulse width	$tpw\phi st$		200	-	-	200	-	-	ns
Start pulse (ϕst) and clock pulse ($\phi 2$) overlap	$t\phi ov$		200	-	-	200	-	-	ns
Clock pulse space*7	$X1, X2$		$trf - 20$	-	-	$trf - 20$	-	-	ns
Data rate*8	f		0.1	-	2000	0.1	-	2000	kHz
Video delay time	tvd	50% of saturation *8 *9	-	120 (-256 F)	-	-	150 (-512 F)	-	ns
			-	160 (-512 F)	-	-	200 (-1024 F)	-	ns
Clock pulse ($\phi 1, \phi 2$) line capacitance	$C\phi$	5 V bias	-	36 (-256 F)	-	-	50 (-512 F)	-	pF
			-	67 (-512 F)	-	-	100 (-1024 F)	-	pF
Saturation control gate ($Vscg$) line capacitance	$Cscg$	5 V bias	-	20 (-256 F)	-	-	24 (-512 F)	-	pF
			-	35 (-512 F)	-	-	45 (-1024 F)	-	pF
Video line capacitance	CV	2 V bias	-	11 (-256 F)	-	-	16 (-512 F)	-	pF
			-	20 (-512 F)	-	-	30 (-1024 F)	-	pF

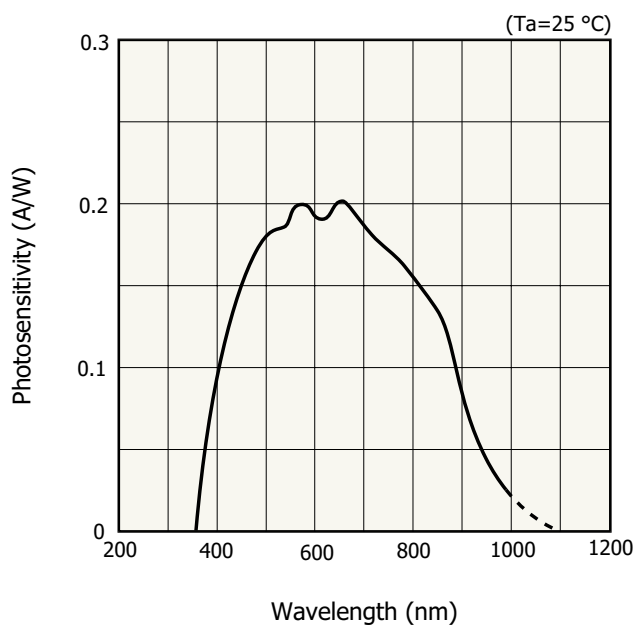
*6: $V\phi$ is input pulse voltage.

*7: trf is the clock pulse rise or fall time. A clock pulse space of "rise time/fall time - 20 " ns or more should be input if the clock pulse rise or fall time is longer than 20 ns.

*8: $Vb=2.0$ V, $V\phi=5.0$ V

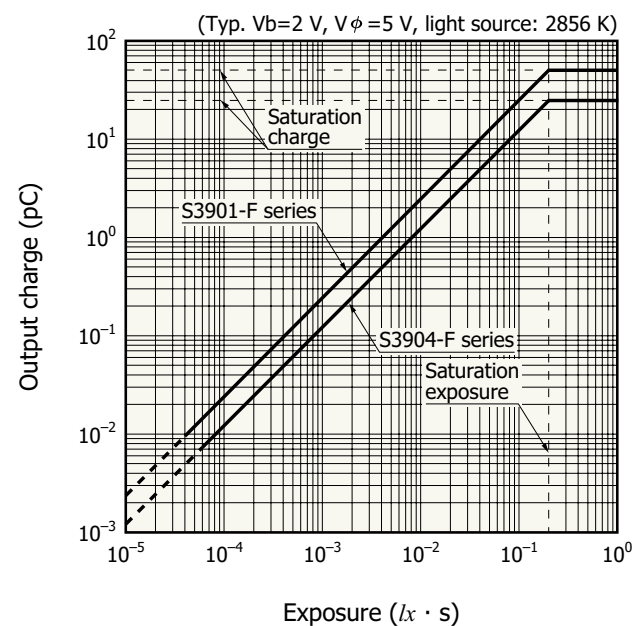
*9: Measured with C7883 driver circuit.

Spectral response (typical example)



KMPD80173EA

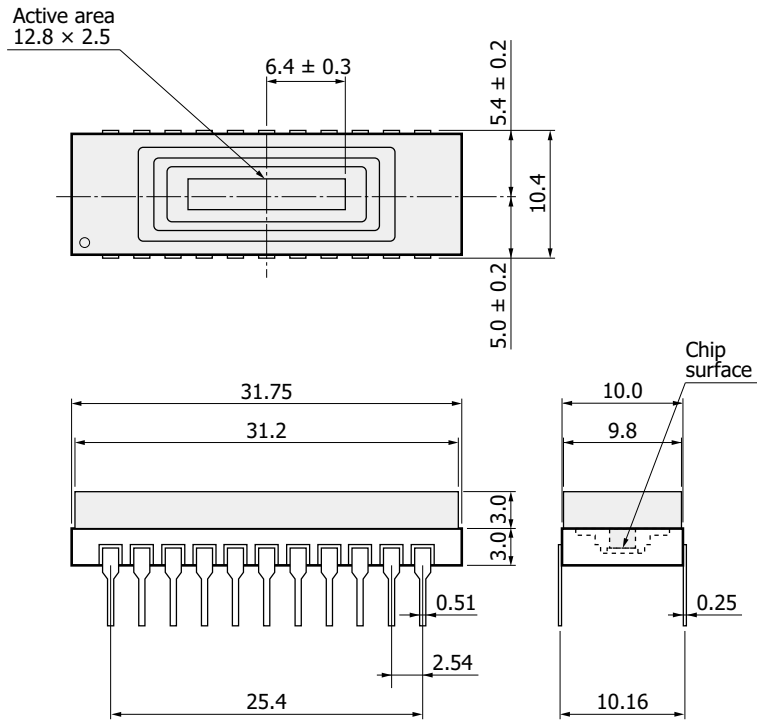
Output charge vs. exposure



KMPD80099EC

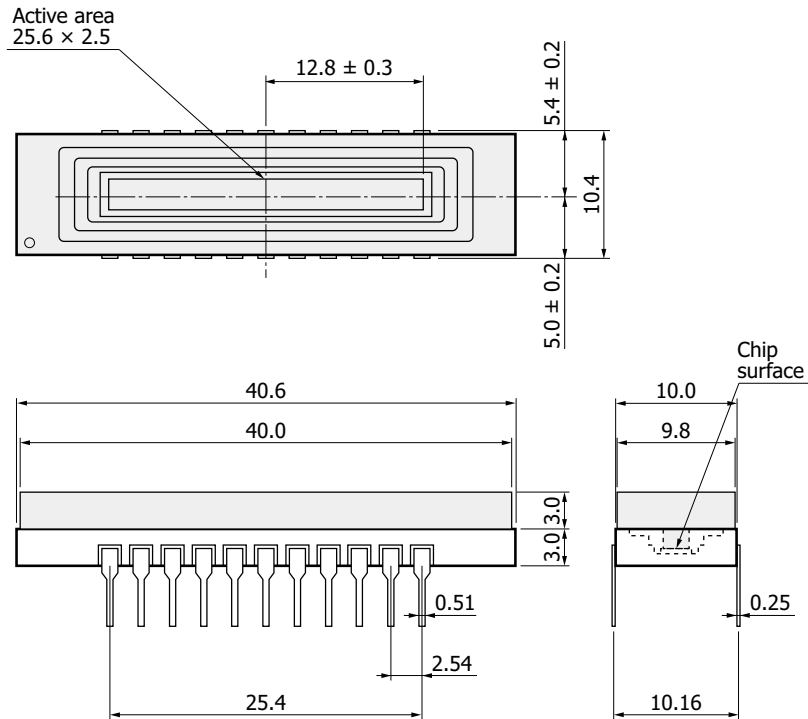
Dimensional outlines (unit: mm)

S3901-256F, S3904-512F



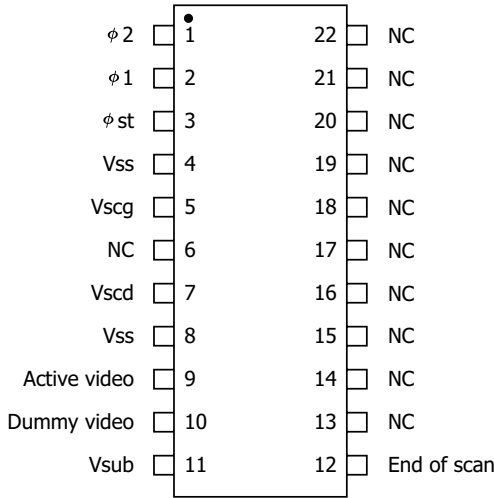
KMPDA0093EB

S3901-512F, S3904-1024F



KMPDA0094EB

Pin connection



Vss, Vsub and NC should be grounded.

KMPDC0056EA

Related information

www.hamamatsu.com/sp/ssd/doc_en.html

■ Precautions

- Disclaimer
- Image sensors

Information described in this material is current as of May 2024.

Product specifications are subject to change without prior notice due to improvements or other reasons. This document has been carefully prepared and the information contained is believed to be accurate. In rare cases, however, there may be inaccuracies such as text errors. Before using these products, always contact us for the delivery specification sheet to check the latest specifications.

The product warranty is valid for one year after delivery and is limited to product repair or replacement for defects discovered and reported to us within that one year period. However, even if within the warranty period we accept absolutely no liability for any loss caused by natural disasters or improper product use. Copying or reprinting the contents described in this material in whole or in part is prohibited without our prior permission.

HAMAMATSU

www.hamamatsu.com

HAMAMATSU PHOTONICS K.K., Solid State Division

1126-1 Ichino-cho, Chuo-ku, Hamamatsu City, 435-8558 Japan, Telephone: (81)53-434-3311, Fax: (81)53-434-5184

U.S.A.: HAMAMATSU CORPORATION: 360 Foothill Road, Bridgewater, NJ 08807, U.S.A., Telephone: (1)908-231-0960, Fax: (1)908-231-1218

Germany: HAMAMATSU PHOTONICS DEUTSCHLAND GMBH: Arzbergerstr. 10, 82211 Herrsching am Ammersee, Germany, Telephone: (49)8152-375-0, Fax: (49)8152-265-8 E-mail: info@hamamatsu.de

France: HAMAMATSU PHOTONICS FRANCE S.A.R.L.: 19 Rue du Saule Trapu, Parc du Moulin de Massy, 91882 Massy Cedex, France, Telephone: (33)1 69 53 71 00, Fax: (33)1 69 53 71 10 E-mail: info@hamamatsu.fr

United Kingdom: HAMAMATSU PHOTONICS UK LIMITED: 2 Howard Court, 10 Tewin Road, Welwyn Garden City, Hertfordshire, AL7 1BW, UK, Telephone: (44)1707-294888, Fax: (44)1707-325777 E-mail: info@hamamatsu.co.uk

North Europe: HAMAMATSU PHOTONICS NORDEN AB: Torshamnsgatan 35, 16440 Kista, Sweden, Telephone: (46)8-509-031-00, Fax: (46)8-509-031-01 E-mail: info@hamamatsu.se

Italy: HAMAMATSU PHOTONICS ITALIA S.R.L.: Strada della Moia, 1 int. 6 20044 Arese (Milano), Italy, Telephone: (39)02-93 58 17 33, Fax: (39)02-93 58 17 41 E-mail: info@hamamatsu.it

China: HAMAMATSU PHOTONICS (CHINA) CO., LTD.: 1201, Tower B, Jiaming Center, 27 Dongsanhuan Bellu, Chaoyang District, 100020 Beijing, P.R. China, Telephone: (86)10-6586-6006, Fax: (86)10-6586-2866 E-mail: hpc@hamamatsu.com.cn

Taiwan: HAMAMATSU PHOTONICS TAIWAN CO., LTD.: 13F-1, No.101, Section 2, Gongdao 5th Road, East Dist., Hsinchu City, 300046, Taiwan(R.O.C) Telephone: (886)3-659-0080, Fax: (886)3-659-0081 E-mail: info@hamamatsu.com.tw