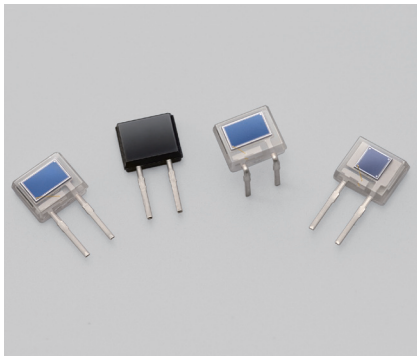


Si PIN photodiodes

S8385/S8729 series



SIP plastic package

The S8385/S8729 series is a family of large area Si PIN photodiodes molded into a miniature plastic SIP package (75% smaller in cubic volume than conventional types). Also available are lead forming types that save space when mounted on a PC board.

Features

- **Small plastic package: 4 × 4.8 × 1.8^t mm**
- **2-pin SIP lead type (lead length: 4.9 mm)**
- **High sensitivity, high-speed response**
- **2 types of spectral response characteristics available**
S8385, S8729, S8729-10: for visible to infrared range ($\lambda=320$ to 1100 nm)
S8729-04: for infrared ($\lambda=760$ to 1100 nm)
- **Lead forming type also available (S8729-10)**
- **Photosensitive area**
S8385: 2 × 2 mm
S8729 series: 2 × 3.3 mm

Applications

- **Barcode scanners**
- **FSO**
- **Optical switches**
- **Laser radar, etc.**

Structure / Absolute maximum ratings

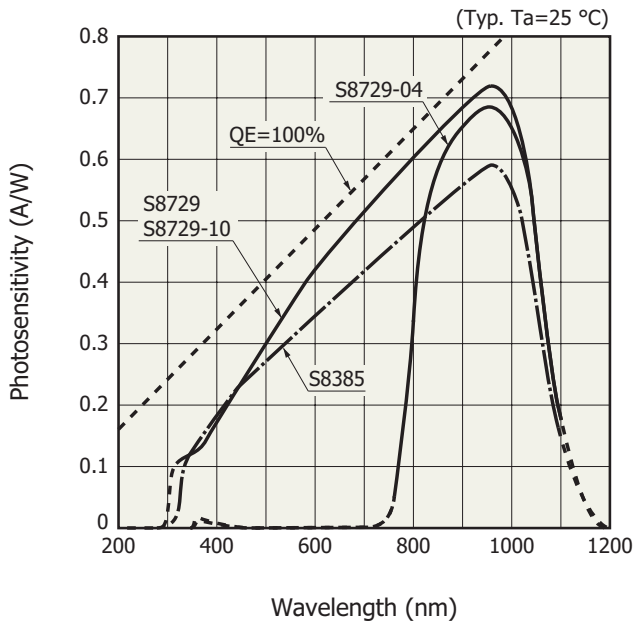
Type no.	Dimensional outline	Package	Photosensitive area size (mm)	Effective photosensitive area (mm ²)	Absolute maximum ratings			
					Reverse voltage V _R max (V)	Power dissipation P (mW)	Operating temperature T _{opr} (°C)	Storage temperature T _{stg} (°C)
S8385	①	Plastic	2 × 2	4	20	50	-25 to +85	-40 to +100
S8729			2 × 3.3	6.6				
S8729-04								
S8729-10	②							

Note) Exceeding the absolute maximum ratings even momentarily may cause a drop in product quality. Always be sure to use the product within the absolute maximum ratings.

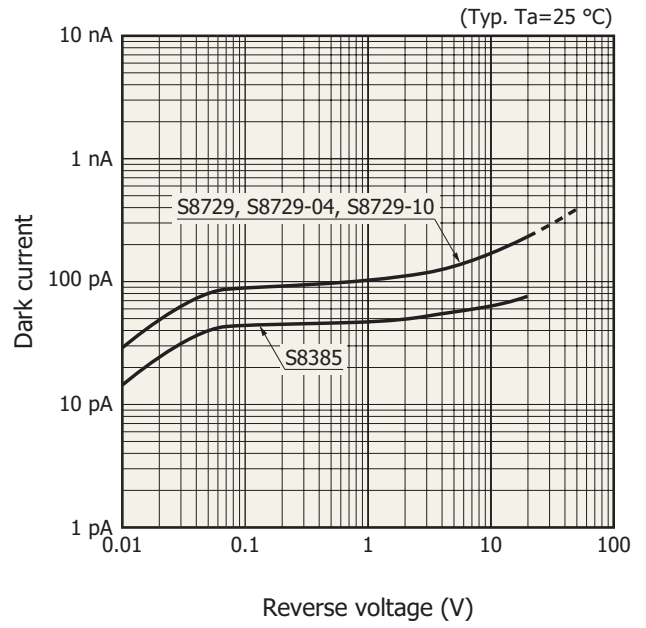
Electrical and optical characteristics

Type no.	Spectral response range λ (nm)	Peak sensitivity wavelength λ_p (nm)	Photosensitivity S (A/W)				Short circuit current I _{sc} 100 lx (μ A)	Dark current I _D V _R =5 V		Temperature coefficient of I _D T _{CID} (times/°C)	Cutoff frequency f _c V _R =5 V $\lambda=780$ nm R _L =50 Ω -3 dB (MHz)	Terminal capacitance C _t V _R =5 V f=1 MHz (pF)	NEP $\lambda=\lambda_p$ (W/Hz ^{1/2})
			λ_p	660 nm	780 nm	830 nm		Typ. (nA)	Max. (nA)				
S8385	320 to 1100	960	0.56	0.4	0.48	0.5	4.2	0.1	1.0	1.15	25	12	1.0 × 10 ⁻¹⁴
S8729	320 to 1100		0.7	0.45	0.55	0.6	7.5	0.2	2.0				16
S8729-04	760 to 1100		0.68	-	-	0.52	5					1.2 × 10 ⁻¹⁴	
S8729-10	320 to 1100		0.7	0.45	0.55	0.6	7.5	1.1 × 10 ⁻¹⁴					

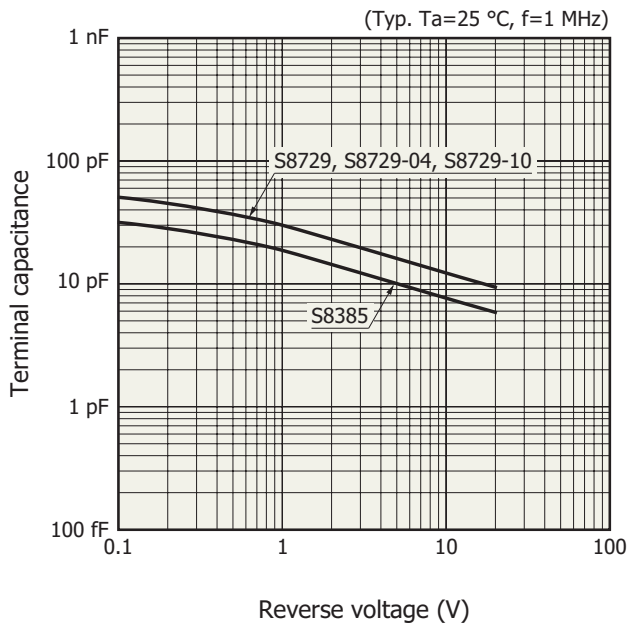
Spectral response



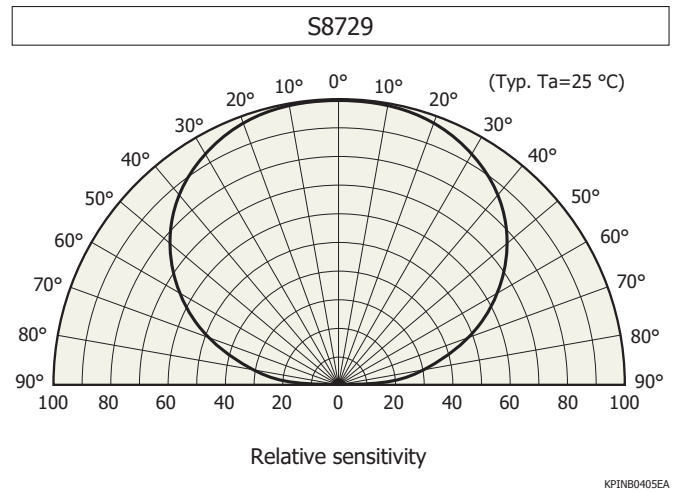
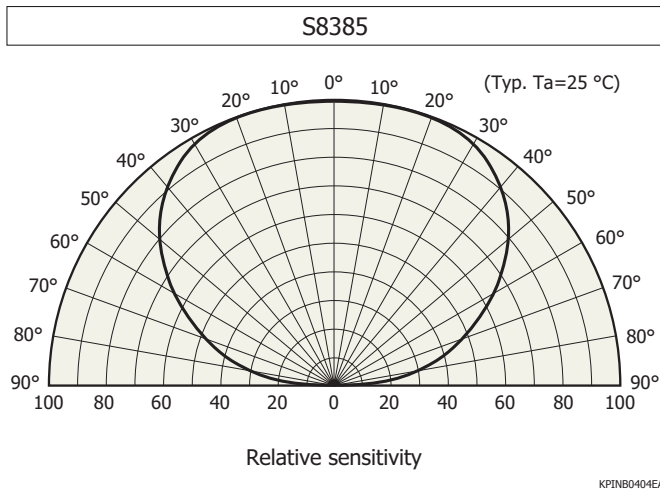
Dark current vs. reverse voltage



Terminal capacitance vs. reverse voltage

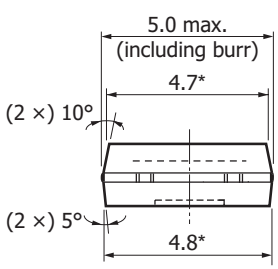
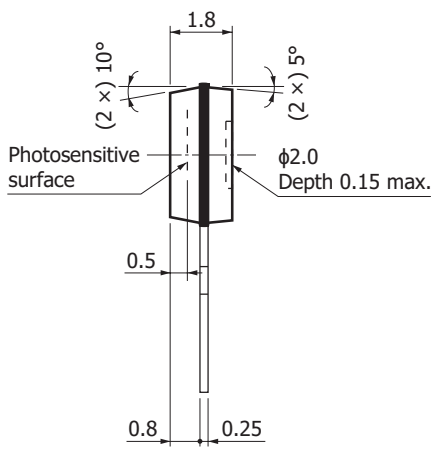
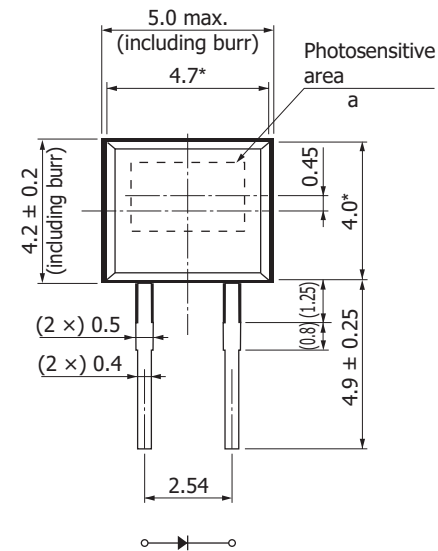


Directivity



Dimensional outlines (unit: mm)

S8385, S8729, S8729-04



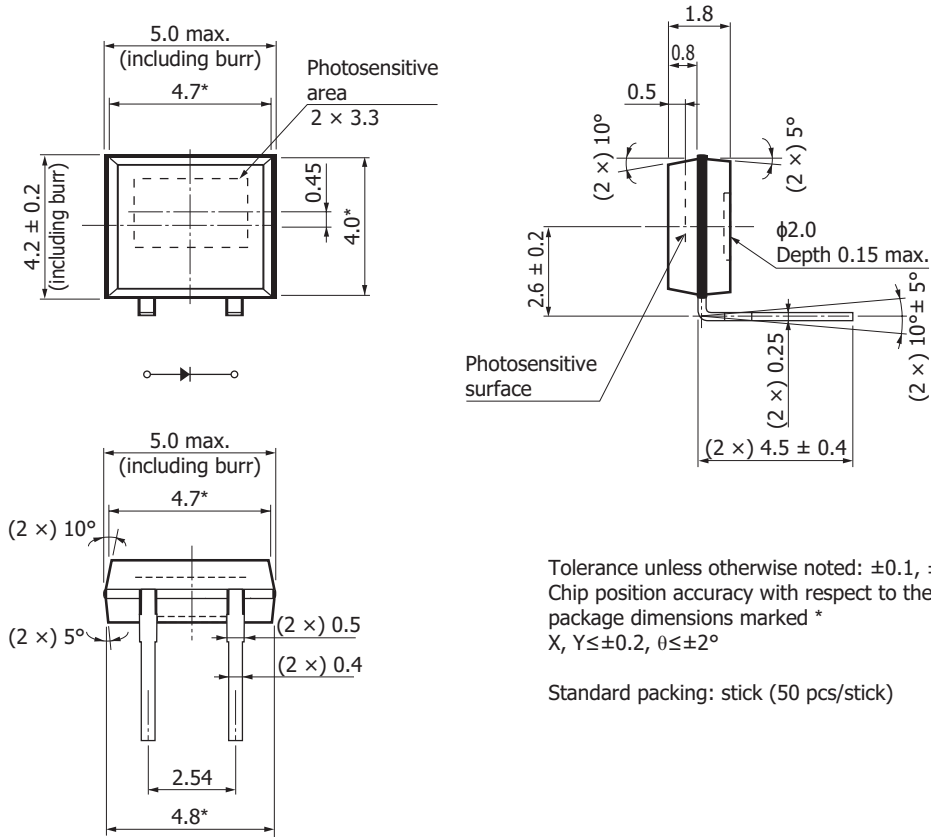
Symbol	S8385	S8729 S8729-04
a	2 × 2	2 × 3.3

Tolerance unless otherwise noted: ± 0.1 , $\pm 2^\circ$
 Chip position accuracy with respect to the package dimensions marked *
 $X, Y \leq \pm 0.2$, $\theta \leq \pm 2^\circ$

Standard packing: stick (50 pcs/stick)

KPINA0090EC

S8729-10



Tolerance unless otherwise noted: ± 0.1 , $\pm 2^\circ$
 Chip position accuracy with respect to the package dimensions marked *
 $X, Y \leq \pm 0.2$, $\theta \leq \pm 2^\circ$

Standard packing: stick (50 pcs/stick)

KPINA0091EC

Related information

www.hamamatsu.com/sp/ssd/doc_en.html

Precautions

- Disclaimer
- Metal, ceramic, plastic package products

Technical information

- Si photodiode/Application circuit examples

Information described in this material is current as of April 2019.

Product specifications are subject to change without prior notice due to improvements or other reasons. This document has been carefully prepared and the information contained is believed to be accurate. In rare cases, however, there may be inaccuracies such as text errors. Before using these products, always contact us for the delivery specification sheet to check the latest specifications.

The product warranty is valid for one year after delivery and is limited to product repair or replacement for defects discovered and reported to us within that one year period. However, even if within the warranty period we accept absolutely no liability for any loss caused by natural disasters or improper product use. Copying or reprinting the contents described in this material in whole or in part is prohibited without our prior permission.

HAMAMATSU

www.hamamatsu.com

HAMAMATSU PHOTONICS K.K., Solid State Division

1126-1 Ichino-cho, Higashi-ku, Hamamatsu City, 435-8558 Japan, Telephone: (81)53-434-3311, Fax: (81)53-434-5184

U.S.A.: Hamamatsu Corporation: 360 Foothill Road, Bridgewater, N.J. 08807, U.S.A., Telephone: (1)908-231-0960, Fax: (1)908-231-1218, E-mail: usa@hamamatsu.com

Germany: Hamamatsu Photonics Deutschland GmbH: Arzbergerstr. 10, D-82211 Herrsching am Ammersee, Germany, Telephone: (49)8152-375-0, Fax: (49)8152-265-8, E-mail: info@hamamatsu.de

France: Hamamatsu Photonics France S.A.R.L.: 19, Rue du Saule Trapu, Parc du Moulin de Massy, 91882 Massy Cedex, France, Telephone: (33)1 69 53 71 00, Fax: (33)1 69 53 71 10, E-mail: infos@hamamatsu.fr

United Kingdom: Hamamatsu Photonics UK Limited: 2 Howard Court, 10 Tewin Road, Welwyn Garden City, Hertfordshire AL7 1BW, United Kingdom, Telephone: (44)1707-294888, Fax: (44)1707-325777, E-mail: info@hamamatsu.co.uk

North Europe: Hamamatsu Photonics Norden AB: Torshamnsgatan 35 16440 Kista, Sweden, Telephone: (46)8-509 031 00, Fax: (46)8-509 031 01, E-mail: info@hamamatsu.se

Italy: Hamamatsu Photonics Italia S.r.l.: Strada della Moia, 1 int. 6, 20020 Arese (Milano), Italy, Telephone: (39)02-93 58 17 33, Fax: (39)02-93 58 17 41, E-mail: info@hamamatsu.it

China: Hamamatsu Photonics (China) Co., Ltd.: B1201, Jiaming Center, No.27 Dongsanhuan Beilu, Chaoyang District, 100020 Beijing, P.R.China, Telephone: (86)10-6586-6006, Fax: (86)10-6586-2866, E-mail: hpc@hamamatsu.com.cn

Taiwan: Hamamatsu Photonics Taiwan Co., Ltd.: 8F-3, No. 158, Section2, Gongdao 5th Road, East District, Hsinchu, 300, Taiwan R.O.C. Telephone: (886)3-659-0080, Fax: (886)3-659-0081, E-mail: info@hamamatsu.com.tw