

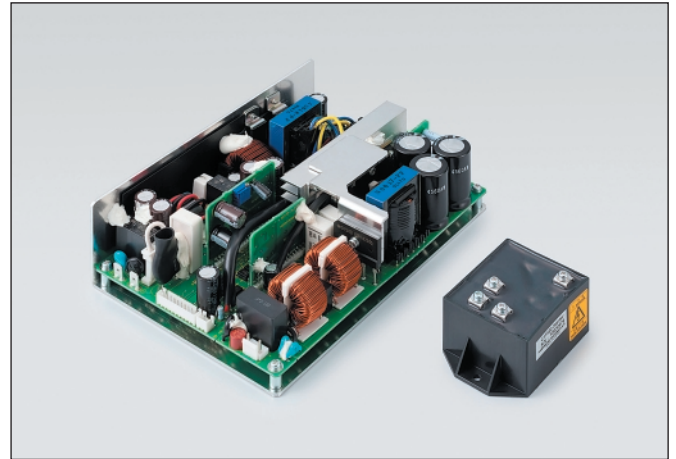
POWER SUPPLY

OEM POWER SUPPLY AND STARTER FOR SUPER-QUIET XENON LAMP, SUPER-QUIET MERCURY-XENON LAMP

C11522 SERIES

FEATURES

- High stability
- Compact
- Cost effective
- External control
- Compliance with safety standard (CE, CSA)



TYPE NUMBER GUIDE

C11522-00-85A

① ② ③ ④

① Start method

Suffix	Type	Note
0	Manual	When turning POWER Switch ON, the lamp is turned on by shorting the lamp lighting terminals. Suitable for an experiment.
1	Auto	When turning POWER Switch ON, the lamp is automatically turned on at the same time. Suitable for a production line.

② High voltage

Suffix	Type
0	Plus
2	Minus

③ Output current value

Suffix	Output current (A)	Note
35	3.5	Output current value differs depending on the lamp used with. Please refer to the specifications in the table below. The value is set at our company before shipping.
54	5.4	
55	5.5	
57	5.7	
70	7.0	
75	7.5	
80	8.0	
85	8.5	

④ Cable

Suffix	Type
—	Only connector
A	For manual start
B	For auto start

SPECIFICATIONS[Ⓐ]

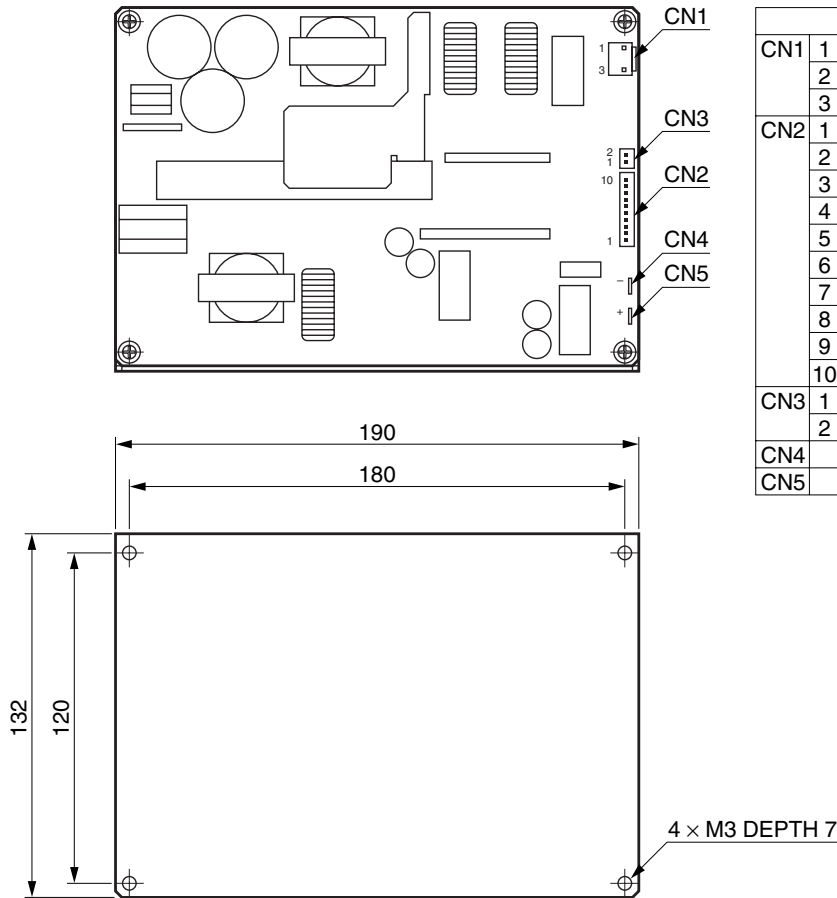
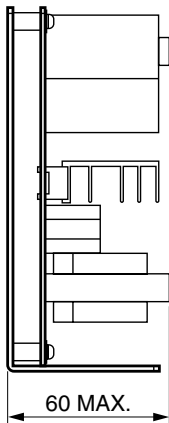
It is recommended to operate with the lamp house (E2419 series or E2420)

Parameter		Description / Value										Unit
Suitable lamp rating	Xenon lamp	35	75	—	75 Long life type	100	150	—	150 GS type [Ⓑ]	—	—	W
	Mercury-Xenon lamp	50	75	100	—	—	150	200	—	250	—	W
Input voltage (AC)		100 V to 240 V, Single phase 50 Hz/60 Hz										—
Power consumption (Max.)		450										VA
Subsidiary power supply (DC)		24 V, 0.5 A (Max.)										—
Output current (DC)		3.5	5.4	5.5	5.7	7.0	7.5	8.0	8.5	8.5	—	A
Ripple (p-p)(Max.)		0.2	0.1 (at rated input and output)								—	%
Drift (Max.)		±0.1										%/h
Trigger voltage output		20 to 30										kV
Cooling method	Power supply	Forced air cooling (Air flow: 0.65 m ³ /min or above)										—
	Starter	Convection cooling										—
Operating ambient temperature		0 to +50										°C
Storage temperature		-10 to +65 (No condensation / frozen)										°C
Operating and storage humidity		Below 85 (No condensation)										%
Weight	Power supply	Approx. 1000										g
	Starter	Approx. 230										g
Safety standard		CE marking compliance (EN 61010-1), CSA-C22.2 No 61010-1										—

NOTE: Ⓐ This specifications are measured at an ambient operating temperature of 23 °C ± 5 °C after 30 min preheat. Ⓑ Short gap type

DIMENSIONAL OUTLINES (Unit: mm)

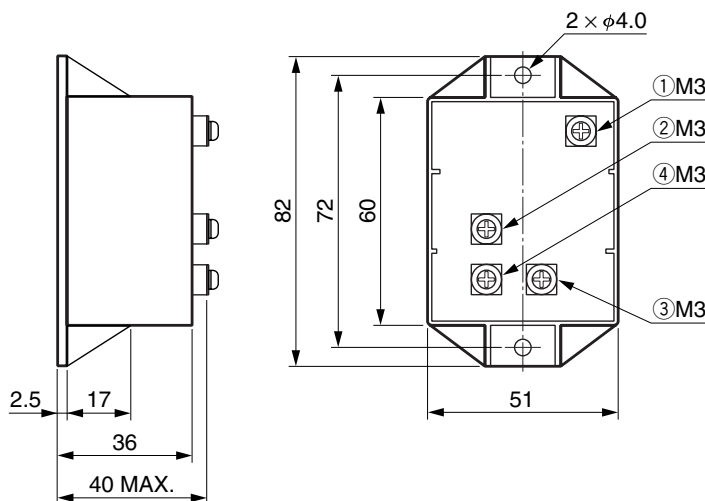
●Power supply



		Function
CN1	1	AC input
	2	—
	3	AC input
CN2	1	Auto start
	2	Lamp ON
	3	Lamp OFF
	4	Over heat signal
	5	Lamp status signal
	6	Interlock
	7	Interlock
	8	+24 V output
	9	GND
	10	GND
CN3	1	+24 V output
	2	GND
CN4		Lamp output -
CN5		Lamp output +

TLSA0017EA

●Starter



- ① HV (LAMP)
- ② OUT (LAMP)
- ③ IN (POWER SUPPLY)
- ④ IN (POWER SUPPLY)

TLSA0018EA

Subject to local technical requirements and regulations, availability of products included in this promotional material may vary. Please consult with our sales office. Information furnished by HAMAMATSU is believed to be reliable. However, no responsibility is assumed for possible inaccuracies or omissions. Specifications are subject to change without notice. No patent rights are granted to any of the circuits described herein. ©2015 Hamamatsu Photonics K.K.

HAMAMATSU PHOTONICS K.K. www.hamamatsu.com

HAMAMATSU PHOTONICS K.K., Electron Tube Division

314-5, Shimokanzo, Iwata City, Shizuoka Pref., 438-0193, Japan, Telephone: (81)539/62-5248, Fax: (81)539/62-2205

U.S.A.: Hamamatsu Corporation: 360 Foothill Road, Bridgewater, N.J. 08807-0910, U.S.A., Telephone: (1)908-231-0960, Fax: (1)908-231-1218 E-mail: usa@hamamatsu.com

Germany: Hamamatsu Photonics Deutschland GmbH: Arzbergerstr. 10, D-82211 Herrsching am Ammersee, Germany, Telephone: (49)8152-375-0, Fax: (49)8152-2658 E-mail: info@hamamatsu.de

France: Hamamatsu Photonics France S.A.R.L.: 19, Rue du Saule Trapu, Parc du Moulin de Massy, 91882 Massy Cedex, France, Telephone: (33)1 69 53 71 00, Fax: (33)1 69 53 71 10 E-mail: infos@hamamatsu.fr

United Kingdom: Hamamatsu Photonics UK Limited: 2 Howard Court, 10 Tewin Road, Welwyn Garden City, Hertfordshire AL7 1BW, United Kingdom, Telephone: (44)1707-294888, Fax: (44)1707-325777 E-mail: info@hamamatsu.co.uk

North Europe: Hamamatsu Photonics Norden AB: Torshamnsgatan 35 SE-164 40 Kista, Sweden, Telephone: (46)8-509-031-00, Fax: (46)8-509-031-01 E-mail: info@hamamatsu.se

Italy: Hamamatsu Photonics Italia S.r.l.: Strada della Moia, 1 int. 6, 20020 Arese (Milano), Italy, Telephone: (39)02-93581733, Fax: (39)02-93581741 E-mail: info@hamamatsu.it

China: Hamamatsu Photonics (China) Co., Ltd.: B1201 Jiaming Center, No.27 Dongsanhuan Beilu, Chaoyang District, Beijing 100020, China, Telephone: (86)10-6586-6006, Fax: (86)10-6586-2866 E-mail: hpc@hamamatsu.com.cn

TLS 1015E01
NOV. 2015 IP