

# POWER SUPPLY

# POWER SUPPLY FOR XENON LAMP, MERCURY-XENON LAMP

## C12122 SERIES

### OVERVIEW

The C12122 series is a compact regulated power supply specifically designed to extract the maximum performance from Hamamatsu xenon lamps and mercury-xenon lamps.

The C12122 power supply also supports external control and conforms to safety standards (CE and PSE).

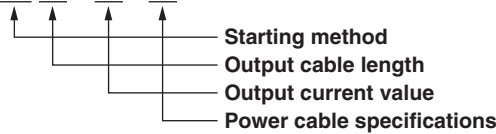
The C12122 should be used in combination with a Hamamatsu C14632 starter or E7536 series lamp housing.



Left: C12122 series, Right: Starter C14632 (not included)

### TYPE NUMBER GUIDE

#### C 1 2 1 2 2 - A B - C - D



#### B: Output cable length

Suffix	Output cable length (m)
20	2
31	3.15
50	5

#### C: Output current value

Suffix	Output current (A)
35	3.5
54	5.4
55	5.5
57	5.7
70	7.0
75	7.5
80	8.0
85	8.5

#### A: Starting method

Suffix	Starting method	Description
0	Manual	When the power switch is ON, pressing the lamp switch lights the lamp. This mode is suitable for laboratory experiments.
1	Auto	The lamp automatically lights up at the same time the power switch is turned on. This mode is suitable for production lines or installation into equipment.

#### D: Power cable specifications

Suffix	Specifications
C2	For Japan and US
C3	For EU
C5	For UK

### SUITABLE LAMPS

#### ● SUPER-QUIET XENON LAMP

Type No.	Output current (A)	Suitable lamps	
		Lamp rating (W)	Type No.
C12122-□□□-35-□□	3.5	35	L2173, L14284
C12122-□□□-54-□□	5.4	75	L2174 / -01 / -02, L14285-01 / -02
C12122-□□□-57-□□	5.7	75 (Long life type)	L10725 / -01 / -02
C12122-□□□-70-□□	7.0	100	L11307
C12122-□□□-75-□□	7.5	150	L2175
C12122-□□□-85-□□	8.5	150 (GS type <sup>①</sup> )	L2273, L14286, L11033, L14287

NOTE: ① Short gap type

#### ● SUPER-QUIET MERCURY-XENON LAMP

Type No.	Output current (A)	Suitable lamps	
		Lamp rating (W)	Type No.
C12122-□□□-35-□□	3.5	50	L2421
C12122-□□□-54-□□	5.4	75	L2481 / -01 / -02
C12122-□□□-55-□□	5.5	100	L2422 / -01 / -02, L8029 / -01
C12122-□□□-75-□□	7.5	150	L2482
C12122-□□□-80-□□	8.0	200	L2423
C12122-□□□-85-□□	8.5	250	L8706

**HAMAMATSU**

PHOTON IS OUR BUSINESS

# SPECIFICATIONS

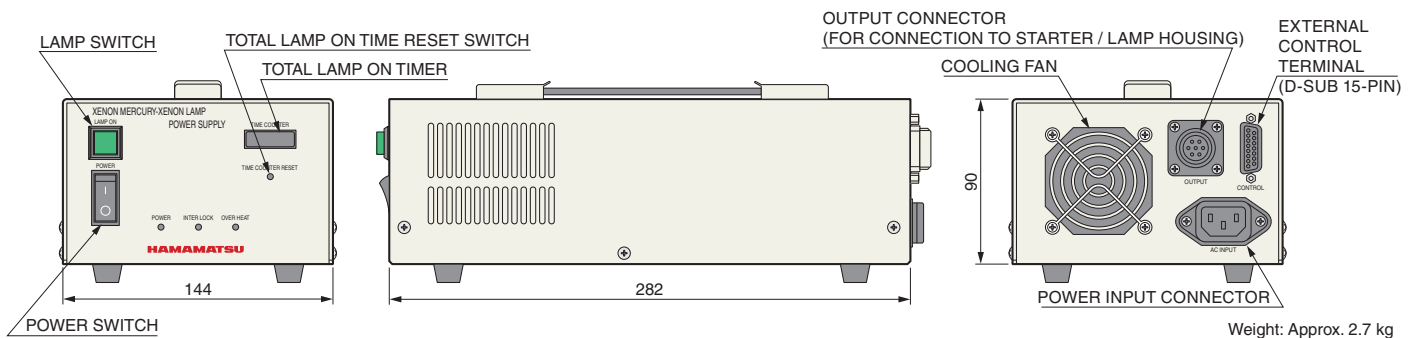
Parameter		Description / Value								Unit
Input voltage (AC)		100 V to 240 V, single phase 50 Hz/60 Hz								—
Auxiliary power (DC)	Max.	24 V, 0.3 A								—
Output current (DC) ①		3.5	5.4	5.5	5.7	7.0	7.5	8.0	8.5	A
Ripple current (p-p)	Max.	0.3	0.2 ②							%
Drift	Max.	±0.1								%/h
Trigger voltage output		20 to 30								kV
Power consumption	Max.	340								VA
Cooling method		Forced air cooling by fan								—
Operating temperature range		0 to +40								°C
Storage temperature range		-10 to +65 (no condensation)								°C
Operating humidity range		35 % to 85 % (no condensation)								—
Storage humidity range		Below 85 % (no condensation)								—
Applicable standards	EMC standards	IEC61326-1: 2013 Group 1 Class A								—
	Safety standards	IEC61010-1: 2010								—

**NOTE:** ① This is set at the factory prior to shipment.

② At the rated input and output

\* Specifications are determined at an operating temperature of 23 °C ± 5 °C after 30 minute preheating.

## DIMENSIONAL OUTLINES (Unit: mm)



External control terminal (D-sub 15-pin) connection

Pin No.	Signal	Pin No.	Signal
1	Auto start setting	9	GND.
2	Lamp ON	10	GND.
3	Lamp OFF	11	No connection
4	Overheat signal output	12	No connection
5	Lamp ON signal output	13	No connection
6	Interlock signal output	14	No connection
7	Interlock signal output	15	No connection
8	Auxiliary power (+24 V)		

### ACCESSORIES

- Power cable (2 m)
- Output cable

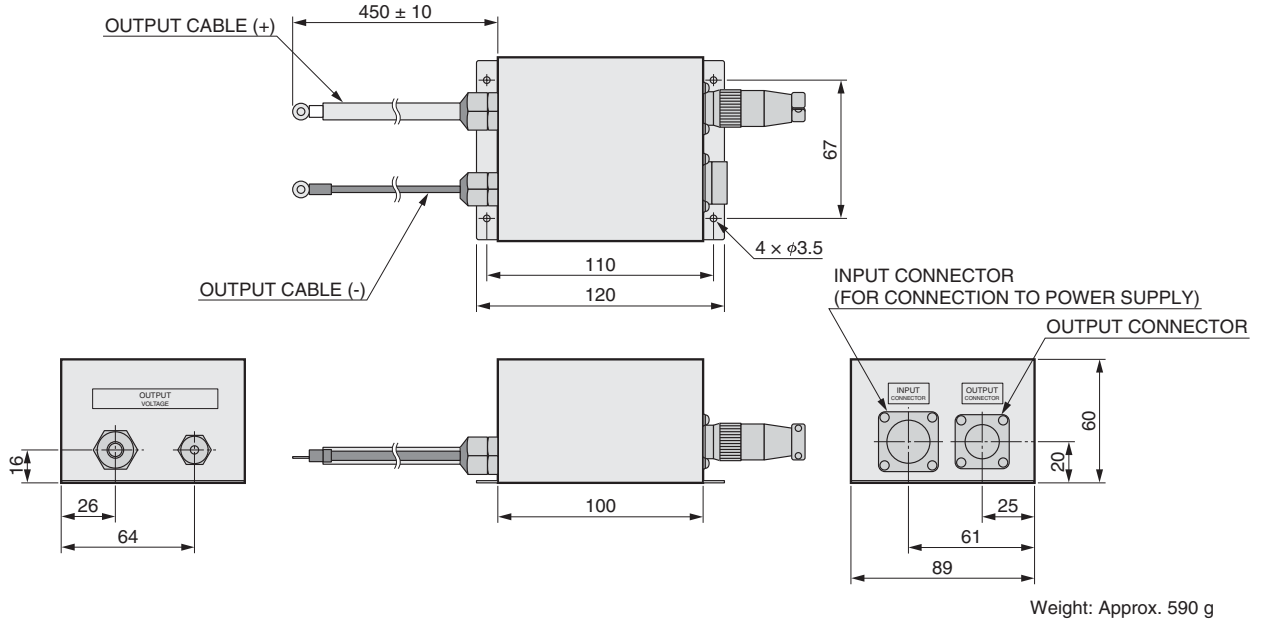
# RELATED PRODUCTS

## STARTER C14632

### OVERVIEW

The C14632 is a separate starter that rapidly generates a high voltage for low-current power supplies. The trigger voltage output is set to 20 kV to 30 kV and the output cables are pre-terminated with a ring terminal.

### DIMENSIONAL OUTLINE (Unit: mm)

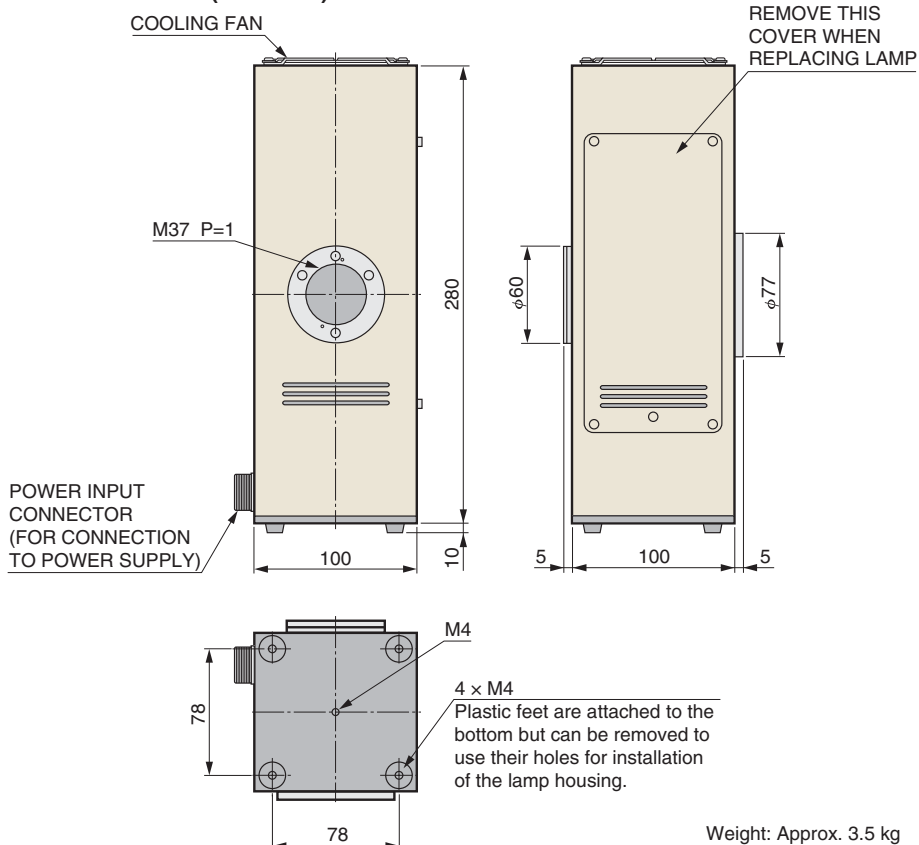


## LAMP HOUSING E7536

### OVERVIEW

The E7536 is an easy-to-use high-precision lamp housing. It contains a reflecting mirror and output lens (synthetic silica) to provide high light output. It also includes an interlock function, starter and cooling fan to ensure high safety. The optical axis can be aligned with an adjustment screw on the lamp housing.

### DIMENSIONAL OUTLINE (Unit: mm)



Subject to local technical requirements and regulations, availability of products included in this promotional material may vary. Please consult with our sales office. Information furnished by HAMAMATSU is believed to be reliable. However, no responsibility is assumed for possible inaccuracies or omissions. Specifications are subject to change without notice. No patent rights are granted to any of the circuits described herein. ©2020 Hamamatsu Photonics K.K.

---

## **HAMAMATSU PHOTONICS K.K.** [www.hamamatsu.com](http://www.hamamatsu.com)

---

### **Electron Tube Division**

**314-5, Shimokanzo, Iwata City, Shizuoka Pref., 438-0193, Japan, Telephone: (81)539/62-5248, Fax: (81)539/62-2205**

**U.S.A.:** Hamamatsu Corporation: 360 Foothill Road, Bridgewater, NJ 08807, U.S.A., Telephone: (1)908-231-0960, Fax: (1)908-231-1218 E-mail: [usa@hamamatsu.com](mailto:usa@hamamatsu.com)

**Germany:** Hamamatsu Photonics Deutschland GmbH.: Arzbergerstr. 10, D-82211 Herrsching am Ammersee, Germany, Telephone: (49)8152-375-0, Fax: (49)8152-265-8 E-mail: [info@hamamatsu.de](mailto:info@hamamatsu.de)

**France:** Hamamatsu Photonics France S.A.R.L.: 19, Rue du Saule Trapu, Parc du Moulin de Massy, 91882 Massy Cedex, France, Telephone: (33)1 69 53 71 00, Fax: (33)1 69 53 71 10 E-mail: [infos@hamamatsu.fr](mailto:infos@hamamatsu.fr)

**United Kingdom:** Hamamatsu Photonics UK Limited: 2 Howard Court, 10 Tewin Road, Welwyn Garden City, Hertfordshire AL7 1BW, UK, Telephone: (44)1707-294888, Fax: (44)1707-325777 E-mail: [info@hamamatsu.co.uk](mailto:info@hamamatsu.co.uk)

**North Europe:** Hamamatsu Photonics Norden AB: Torshamnsgatan 35 16440 Kista, Sweden, Telephone: (46)8-509 031 00, Fax: (46)8-509 031 01 E-mail: [info@hamamatsu.se](mailto:info@hamamatsu.se)

**Italy:** Hamamatsu Photonics Italia S.r.l.: Strada della Moia, 1 int. 6, 20020 Arese (Milano), Italy, Telephone: (39)02-93 58 17 33, Fax: (39)02-93 58 17 41 E-mail: [info@hamamatsu.it](mailto:info@hamamatsu.it)

**China:** Hamamatsu Photonics (China) Co., Ltd.: 1201 Tower B, Jiaming Center, 27 Dongsanhuan Beilu, Chaoyang District, 100020 Beijing, P.R. China, Telephone: (86)10-6586-6006, Fax: (86)10-6586-2866 E-mail: [hpc@hamamatsu.com.cn](mailto:hpc@hamamatsu.com.cn)

**Taiwan:** Hamamatsu Photonics Taiwan Co., Ltd.: 8F-3, No.158, Section 2, Gongdao 5th Road, East District, Hsinchu, 300, Taiwan R.O.C. Telephone: (886)3-659-0080, Fax: (886)3-659-0081 E-mail: [info@hamamatsu.com.tw](mailto:info@hamamatsu.com.tw)

TLS 1020E02  
APR. 2020 IP