

FEATURES

- Equipped with USB interface
- Digital signal output
- Digital control of supply voltage to PMT
- Operates on USB bus power

APPLICATIONS

- Low-level-light measurement



SPECIFICATIONS

(at +25 °C)

Parameter		Description / Value	Unit
Input voltage		USB bus Power	—
Max. input current ^①		130	mA
Max. supply voltage to PMT		-1100	V
Recommended supply voltage to PMT adjustment range		-500 to -1100	V
Effective area		φ8	mm
Photocathode material		Super bialkali	—
Spectral response		230 to 700	nm
Peak sensitivity wavelength		400	nm
Cathode	Luminous sensitivity	Min. 80 Typ. 105	μA/lm
	Blue sensitivity index	Typ. 13.5	
	Radiant sensitivity ^②	Typ. 110	mA/W
Anode	Luminous sensitivity ^①	Min. 8×10^7 Typ. 2.1×10^8	V/lm
	Radiant sensitivity ^{①②}	Typ. 220	
	Dark current ^{①③}	Typ. 1 Max. 10	mV
Frequency bandwidth		DC to 20 kHz	—
Current-voltage conversion factor		1	V/μA
Settling time ^④		Max. 10	s
A/D converter	Sampling frequency	200	kHz
	Resolution	16	bit
	Reference voltage	4	V
USB2.0 (Virtual COM port)	Baud rate	12	Mbps
	Data bits	8	bit
	Stop bits	1	bit
	Parity	none	—
Flow control		none	—
Support OS		Windows® 10 Pro	—
Operating ambient temperature ^⑤		+5 to +50	°C
Storage temperature ^⑤		-20 to +50	°C
Weight		61	g

NOTE: ① Input voltage = +5 V, supply voltage to PMT = -1000 V

② Measured at the peak sensitivity wavelength

③ After 30 min storage in darkness

④ The time required for the output to reach a stable level following a change in the supply voltage from -1000 V to -500 V

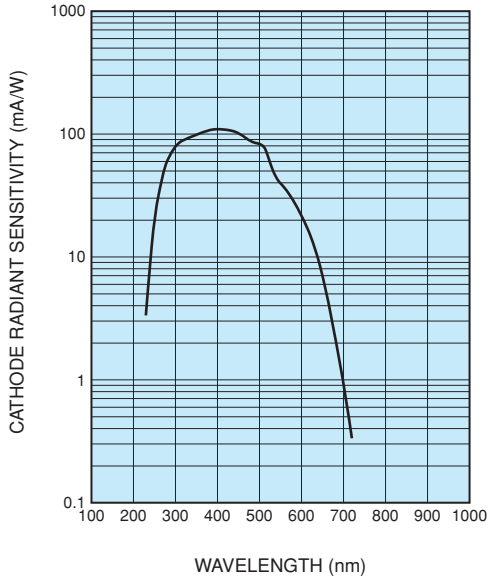
⑤ No condensation

* Supplied: CD-ROM (containing instruction manual, device driver, sample software), USB cable (1.5 m)

PHOTOSENSOR MODULE H16146-110

Figure 1: Characteristics

● SPECTRAL RESPONSE



● GAIN

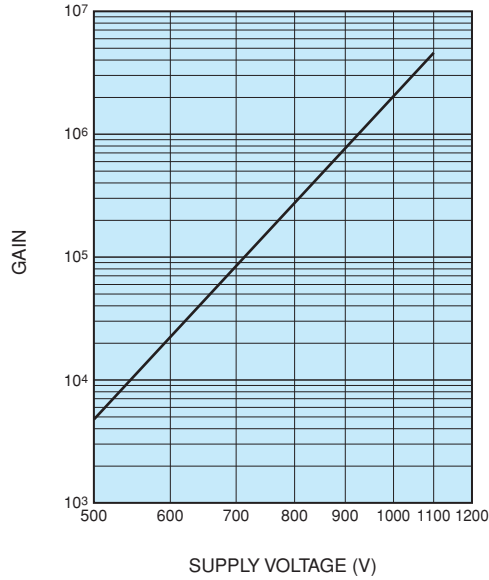


Figure 2: Block diagrams

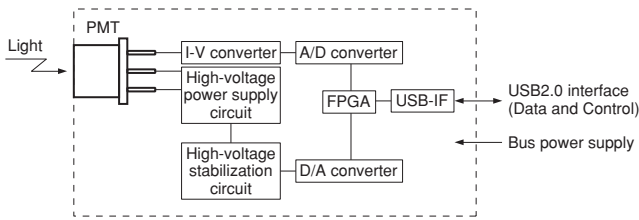
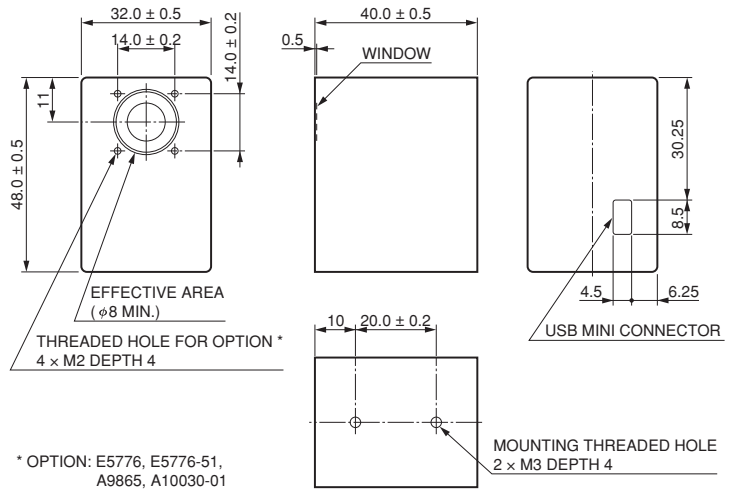


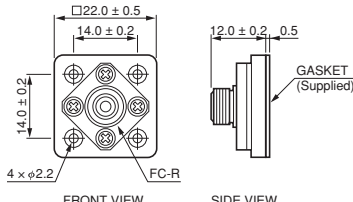
Figure 3: Dimensional outline (Unit: mm)



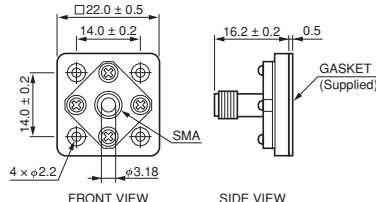
OPTION

OPTICAL FIBER ADAPTER E5776 / E5776-51

E5776 (FC Type)



E5776-51 (SMA Type)



Windows® is a registered trademark of Microsoft Corporation in the United States and/or other countries.

HAMAMATSU PHOTONICS K.K. www.hamamatsu.com

Electron Tube Division

314-5, Shimokanzo, Iwata City, Shizuoka Pref., 438-0193, Japan, Telephone: (81)539/62-5248, Fax: (81)539/62-2205

U.S.A.: Hamamatsu Corporation, 360 Foothill Road, Bridgewater, NJ 08807, U.S.A., Telephone: (1)908-231-0960, Fax: (1)908-231-1218 E-mail: usa@hamamatsu.com

Germany: Hamamatsu Photonics Deutschland GmbH, Arzbergerstr. 10, D-82211 Herrsching am Ammersee, Germany, Telephone: (49)8152-375-0, Fax: (49)8152-265-8 E-mail: info@hamamatsu.de

France: Hamamatsu Photonics France S.A.R.L., 19, Rue du Saule Trapu, Parc du Moulin de Massy, 91882 Massy Cedex, France, Telephone: (33)1 69 53 71 00, Fax: (33)1 69 53 71 10 E-mail: infos@hamamatsu.fr

United Kingdom: Hamamatsu Photonics UK Limited, 2 Howard Court, 10 Tewin Road, Welwyn Garden City, Hertfordshire AL7 1BW, UK, Telephone: (44)1707-294888, Fax: (44)1707-325777 E-mail: info@hamamatsu.co.uk

North Europe: Hamamatsu Photonics Norden AB, Torshamnsgatan 35 16440 Kista, Sweden, Telephone: (46)8-509 031 00, Fax: (46)8-509 031 01 E-mail: info@hamamatsu.se

Italy: Hamamatsu Photonics Italia S.r.l., Strada della Moia, 1 int. 6, 20044 Arese (Milano), Italy, Telephone: (39)02-93 58 17 33, Fax: (39)02-93 58 17 41 E-mail: info@hamamatsu.it

China: Hamamatsu Photonics (China) Co., Ltd., 1201 Tower B, Jiaming Center, 27 Dongsanhuan Beilu, Chaoyang District, 100020 Beijing, P.R. China, Telephone: (86)10-6586-6006, Fax: (86)10-6586-2866 E-mail: hpc@hamamatsu.com.cn

Taiwan: Hamamatsu Photonics Taiwan Co., Ltd., 8F-3, No.158, Section 2, Gongdao 5th Road, East District, Hsinchu, 300, Taiwan R.O.C. Telephone: (886)3-659-0080, Fax: (886)3-659-0081 E-mail: info@hamamatsu.com.tw

TPMO1109E01
AUG. 2021 IP