

**19 mm (3/4 Inch) Diameter, S-20 Spectral Response  
Multialkali Photocathode, 10-Stage, Head-on Type**

**GENERAL**

Parameter		Description / Value	Unit
Spectral Response	R1464	185 to 850	nm
	R1617	300 to 850	nm
Wavelength of Maximum Response		420	nm
Photocathode	Material	Multialkali	—
	Minimum Effective Area	φ15	mm
Window Material	R1464	UV glass	—
	R1617	Borosilicate glass	—
Dynode	Structure	Linear focused	—
	Number of Stages	10	—
Operating Ambient Temperature		-30 to +50	°C
Storage Temperature		-80 to +50	°C
Base		12-pin glass base	—
Suitable Socket		E678-12L (supplied)	—

**MAXIMUM RATINGS (Absolute Maximum Values)**

Parameter		Value	Unit
Supply Voltage	Between Anode and Cathode	1250	V
	Between Anode and Last Dynode	250	V
Average Anode Current		0.1	mA

**CHARACTERISTICS (at 25°C)**

Parameter		Min.	Typ.	Max.	Unit
Cathode Sensitivity	Luminous (2856 K)	80	120	—	μA/lm
	Radiant at 420 nm	—	51	—	mA/W
	Red/White Ratio (with R-68 filter)	—	0.2	—	—
Anode Sensitivity	Luminous (2856 K)	30	120	—	A/lm
	Radiant at 420 nm	—	5.1 × 10 <sup>4</sup>	—	A/W
Gain		—	1.0 × 10 <sup>6</sup>	—	—
Anode Dark Current (after 30 min storage in darkness)		—	4	20	nA
Time Response	Anode Pulse Rise Time	—	2.5	—	ns
	Electron Transit Time	—	27	—	ns

**VOLTAGE DISTRIBUTION RATIO AND SUPPLY VOLTAGE**

Electrodes	K	Dy1	Dy2	Dy3	Dy4	Dy5	Dy6	Dy7	Dy8	Dy9	Dy10	P
Ratio	1.5	1	1	1	1	1	1	1	1	1	1	1

Supply Voltage: 1000 V, K: Cathode, Dy: Dynode, P: Anode

# PHOTOMULTIPLIER TUBEs R1464, R1617

Figure 1: Typical Spectral Response

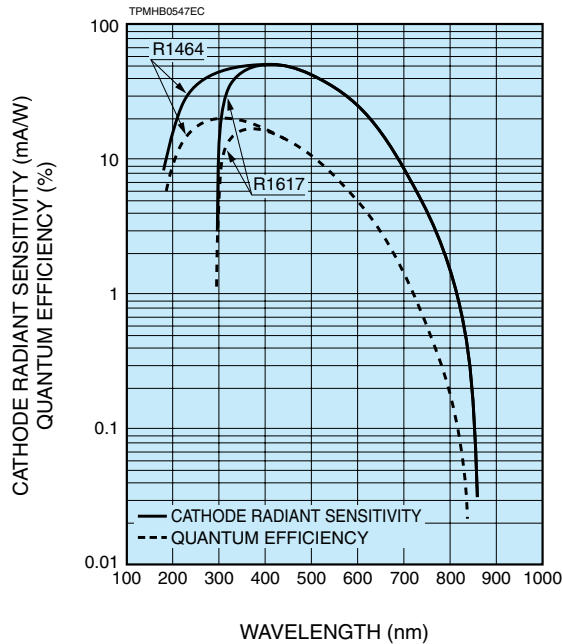


Figure 2: Typical Gain Characteristics

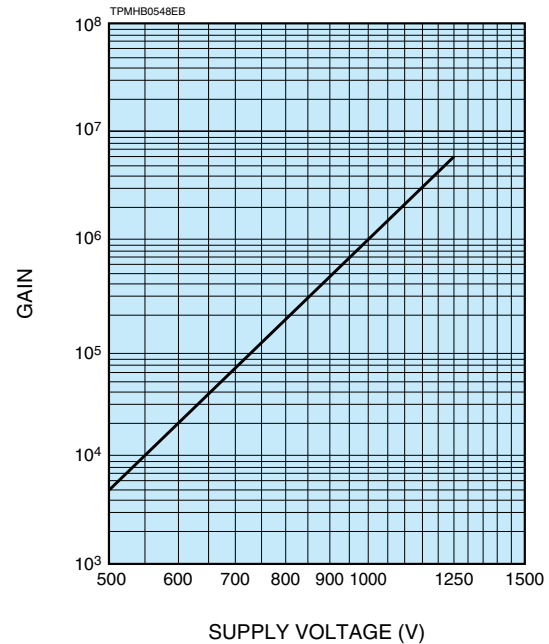


Figure 3: Dimensional Outline and Basing Diagram (Unit: mm)

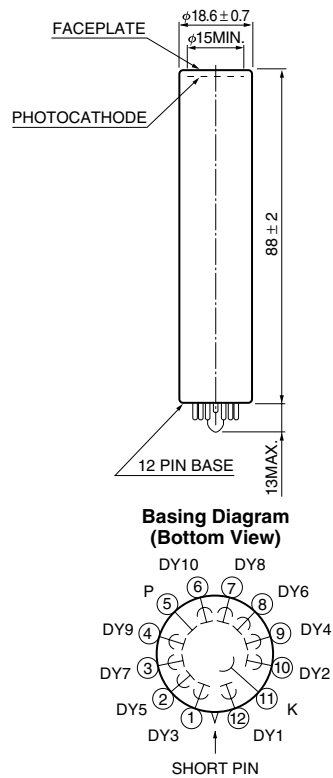
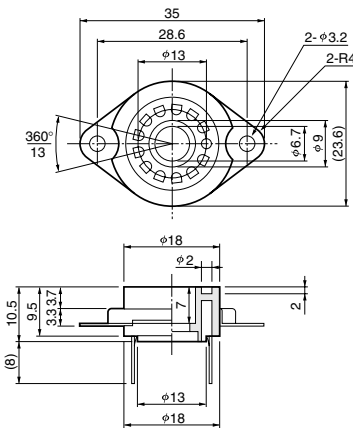
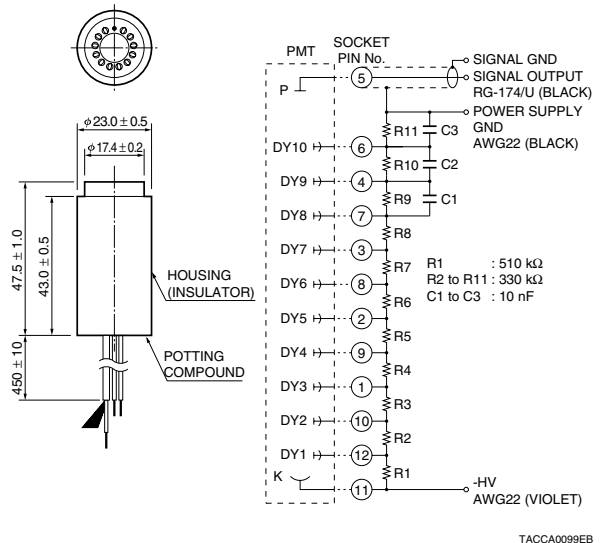


Figure 4: Accessories (Unit: mm)

●Socket E678-12L (Supplied)



●D-type Socket Assembly E974-13 (Sold separately)



\* HAMAMATSU also provides high voltage power supply modules C4900 series and C10940 series.

## HAMAMATSU PHOTONICS K.K. [www.hamamatsu.com](http://www.hamamatsu.com)

### HAMAMATSU PHOTONICS K.K., Electron Tube Division

314-5, Shimokanzo, Iwata City, Shizuoka Pref., 438-0193, Japan, Telephone: (81)539/62-5248, Fax: (81)539/62-2205

U.S.A.: Hamamatsu Corporation, 360 Foothill Road, Bridgewater, N.J. 08807-0910, U.S.A., Telephone: (1)908-231-0960, Fax: (1)908-231-1218 E-mail: [usa@hamamatsu.com](mailto:usa@hamamatsu.com)

Germany: Hamamatsu Photonics Deutschland GmbH, Arzbergerstr. 10, D-82211 Herrsching am Ammersee, Germany, Telephone: (49)8152-375-0, Fax: (49)8152-2658 E-mail: [info@hamamatsu.de](mailto:info@hamamatsu.de)

France: Hamamatsu Photonics France S.A.R.L., 19, Rue du Saule Trapu, Parc du Moulin de Massy, 91882 Massy Cedex, France, Telephone: (33)1 69 53 71 00, Fax: (33)1 69 53 71 10 E-mail: [infos@hamamatsu.fr](mailto:infos@hamamatsu.fr)

United Kingdom: Hamamatsu Photonics UK Limited, 2 Howard Court, 10 Tewin Road, Welwyn Garden City, Hertfordshire AL7 1BW, United Kingdom, Telephone: (44)1707-294888, Fax: (44)1707-325777 E-mail: [info@hamamatsu.co.uk](mailto:info@hamamatsu.co.uk)

North Europe: Hamamatsu Photonics Norden AB, Torshamnsgatan 35 SE-164 40 Kista, Sweden, Telephone: (46)8-509-031-00, Fax: (46)8-509-031-01 E-mail: [info@hamamatsu.se](mailto:info@hamamatsu.se)

Italy: Hamamatsu Photonics Italia S.r.l., Strada della Moia, 1 int. 6, 20020 Arese (Milano), Italy, Telephone: (39)02-93581733, Fax: (39)02-93581741 E-mail: [info@hamamatsu.it](mailto:info@hamamatsu.it)

China: Hamamatsu Photonics (China) Co., Ltd., B1201 Jiaming Center, No.27 Dongsanhuan Beilu, Chaoyang District, Beijing 100020, China, Telephone: (86)10-6586-6006, Fax: (86)10-6586-2866 E-mail: [hpc@hamamatsu.com.cn](mailto:hpc@hamamatsu.com.cn)

TPMH1350E01  
OCT. 2014 IP