

### FEATURES

- High sensitivity in 300 nm to 500 nm
- Low noise
- Low dark count at 37 °C
- Compact size
- For photon counting: R1924P-700
- High reliability for shock and vibration

### APPLICATIONS

- Chemiluminescence measurement
- Bioluminescence measurement
- Low level light detection
- Radiation measurement

### SPECIFICATIONS

#### GENERAL

Parameter		Description	Unit
Spectral response		300 to 650	nm
Wavelength of maximum response		400	nm
Photocathode	Material	Blue super bialkali	—
	Minimum effective area	φ22	mm
Window material		Borosilicate glass	—
Dynode	Structure	Circular and linear-focused	—
	Number of stages	10	—
Base		14 pin glass base	—
Suitable socket		E678-14C (supplied)	—
Operating ambient temperature		-30 to +50	°C
Storage temperature		-80 to +50 (R1924A-700) / -30 to +50 (R1924P-700)	°C



Left: R1924A-700, Right: R1924P-700

#### MAXIMUM RATINGS (Absolute maximum values)

Parameter		Value	Unit
Supply voltage	Between anode and cathode	1250	V
	Between anode and last dynode	250	V
Average anode current		0.1	mA

#### CHARACTERISTICS (at 25 °C)

Parameter		Min.	Typ.	Max.	Unit
Cathode sensitivity	Luminous (2856 K)	70	90	—	μA/lm
	Quantum efficiency at 400 nm	—	33	—	%
	Blue sensitivity index	11.5	13.0	—	—
Anode sensitivity	Luminous (2856 K)	40 / 105 <sup>(A)</sup>	180	—	A/lm
Gain		— / 1.5 × 10 <sup>6</sup> <sup>(A)</sup>	2.0 × 10 <sup>6</sup>	—	—
Anode dark current (after 30 min storage in darkness)		—	1.0 / 0.5 <sup>(A)</sup>	10 / 5 <sup>(A)</sup>	nA
Anode dark count <sup>(A)</sup>	At 25 °C	—	75	150	s <sup>-1</sup>
	At 37 °C	—	150	—	s <sup>-1</sup>
Time response	Anode pulse rise time	—	1.5	—	ns
	Electron transit time	—	17	—	ns

NOTE: <sup>(A)</sup> Photon counting type (R1924P-700) only

Anode characteristics are measured with a voltage distribution ratio shown below

#### STANDARD VOLTAGE DIVIDER AND SUPPLY VOLTAGE

Electrodes	K	Dy1	Dy2	Dy3	Dy4	Dy5	Dy6	Dy7	Dy8	Dy9	Dy10	P
Ratio	3	1	1	1	1	1	1	1	1	1	1	1

Supply voltage: 1000 V, K: Cathode, Dy: Dynode, P: Anode

#### ENVIRONMENTAL TESTING

Shock.....1000 m/s<sup>2</sup>, 11 ms, 3 impact shocks per direction (6 directions)

Vibration.....200 m/s<sup>2</sup>, 10 Hz to 2000 Hz, 1 octave per minute, 3 sweeps per axis (3 axes)

# PHOTOMULTIPLIER TUBE R1924A-700/R1924P-700

Figure 1: Typical spectral response

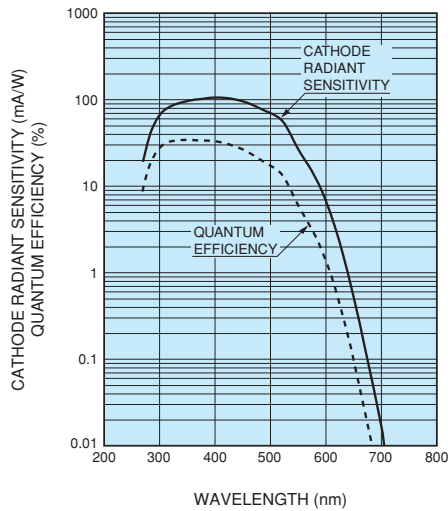


Figure 2: Typical gain and dark current characteristics

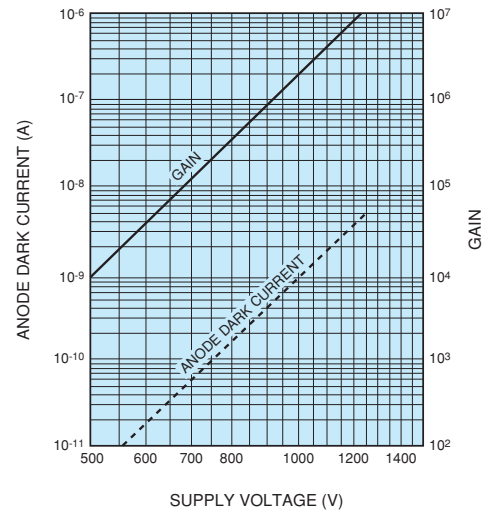


Figure 3: Dimensional outline and basing diagram (Unit: mm)

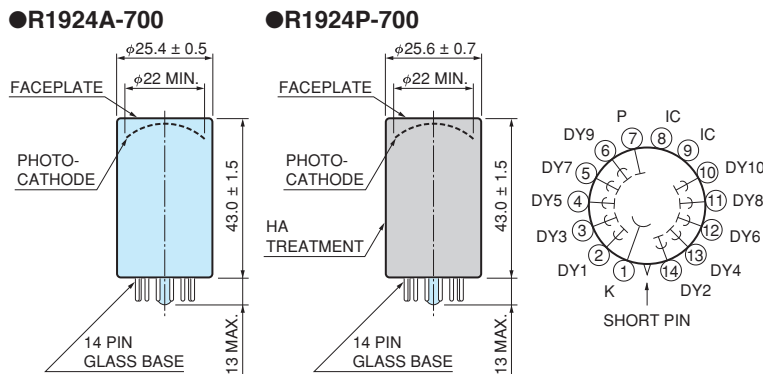
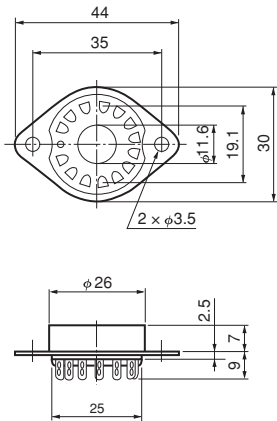
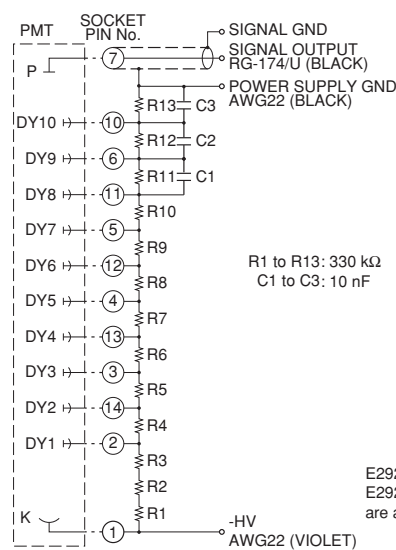
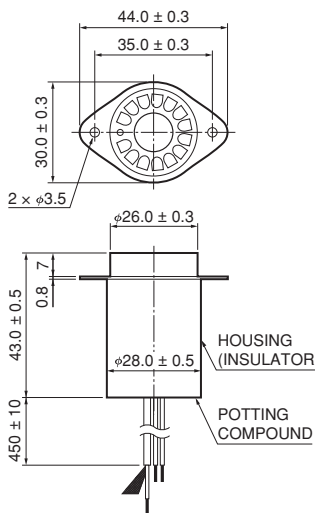


Figure 4: Accessories (Unit: mm)

**Socket E678-14C (supplied)**



**D type socket assembly E2924 (sold separately)**



E2924-500: SHV (-HV), BNC (SIGNAL)  
E2924-05: pulse operation only (+HV)  
are also available

TACCA0032ED

\* HAMAMATSU also provides C13890 series and C10940 series compact high voltage power supply modules.

## HAMAMATSU PHOTONICS K.K. [www.hamamatsu.com](http://www.hamamatsu.com)

**Electron Tube Division**

314-5, Shimokanzo, Iwata City, Shizuoka Pref., 438-0193, Japan, Telephone: (81)539/62-5248, Fax: (81)539/62-2205

U.S.A.: HAMAMATSU CORPORATION: 360 Foothill Road, Bridgewater, NJ 08807, U.S.A., Telephone: (1)908-231-0960, Fax: (1)908-231-1218 E-mail: usa@hamamatsu.com

Germany: HAMAMATSU PHOTONICS DEUTSCHLAND GMBH: Arzbergerstr. 10, 82211 Herrsching am Ammersee, Germany, Telephone: (49)8152-375-0, Fax: (49)8152-265-8 E-mail: info@hamamatsu.de

France: HAMAMATSU PHOTONICS FRANCE S.A.R.L.: 19, Rue du Saule Trape, Parc du Moulin de Massy, 91882 Massy Cedex, France, Telephone: (33)1 69 53 71 00, Fax: (33)1 69 53 71 10 E-mail: info@hamamatsu.fr

United Kingdom: HAMAMATSU PHOTONICS UK LIMITED: 2 Howard Court, 10 Tewin Road, Welwyn Garden City, Hertfordshire AL7 1BW, UK, Telephone: (44)1707-294888, Fax: (44)1707-325777 E-mail: info@hamamatsu.co.uk

North Europe: HAMAMATSU PHOTONICS NORDEN AB: Torshamnsgatan 35 16440 Kista, Sweden, Telephone: (46)8-509 031 00, Fax: (46)8-509 031 01 E-mail: info@hamamatsu.se

Italy: HAMAMATSU PHOTONICS ITALIA S.R.L.: Strada della Moia, 1 int. 6, 20044 Arese (Milano), Italy, Telephone: (39)02-93 58 17 33, Fax: (39)02-93 58 17 41 E-mail: info@hamamatsu.it

China: HAMAMATSU PHOTONICS (CHINA) CO., LTD.: 1201 Tower B, Jaming Center, 27 Dongsanhuan Beltu, Chaoyang District, 100020 Beijing, P.R. China, Telephone: (86)10-6586-6006, Fax: (86)10-6586-2866 E-mail: hpc@hamamatsu.com.cn

Taiwan: HAMAMATSU PHOTONICS TAIWAN CO., LTD.: 8F-3, No.158, Section 2, Gongdao 5th Road, East District, Hsinchu, 300, Taiwan R.O.C. Telephone: (886)3-659-0080, Fax: (886)3-659-0081 E-mail: info@hamamatsu.com.tw

TPMH1387E01  
JUN. 2022 IP