

UV to Near IR (R636-10:185 to 930 nm, R758-10:160 to 930nm) Spectral Response 28mm(1-1/8 Inch) Diameter, GaAs(Cs) Photocathode, 9-stage, Side-On Type

GENERAL

Parameter		R636-10	R758-10	Unit
Spectral Response		185 to 930	160 to 930	nm
Wavelength of Maximum Response		300 to 800		nm
Photocathode	Material	GaAs (Cs)		-
	Minimum Effective Area	3 × 12		mm
Window Material		UV glass	Fused silica glass	-
Dynode	Structure	Circular-cage		-
	Number of Stages	9		-
Direct Interelectrode Capacitances	Anode to Last Dynode	4		pF
	Anode to All Other Electrodes	6		pF
Base		JEDEC No.B11-88		-
Suitable Socket		E678-11A(option)		-

MAXIMUM RATINGS (Absolute Maximum Values)

Parameter		Value	Unit
Supply Voltage	Between Anode and Cathode	1500	Vdc
	Between Anode and Last Dynode	250	Vdc
Average Anode Current		0.001	mA

CHARACTERISTICS (at 25°C)

Parameter		Min.	Typ.	Max.	Unit	
Cathode Sensitivity	Luminous(2856K)	400	550	-	μA/lm	
	Radiant	at 350nm	-	62	-	mA/W
		at 632.8nm	-	63	-	
		at 852.1nm	-	48	-	
Red/White Ratio (with R-68 filter)		-	0.53	-	-	
Gain		-	4.5 × 10 ⁵	-	-	
Anode Sensitivity	Luminous(2856K)	100	250	-	A/lm	
	Radiant	at 350nm	-	2.8 × 10 ⁴	-	A/W
		at 632.8nm	-	2.8 × 10 ⁴	-	
		at 852.1nm	-	2.2 × 10 ⁴	-	
Anode Dark Current at 10A/lm *		-	0.1	2	nA	
Time Response	Anode Pulse Rise Time	-	2	-	ns	
	Electron Transit Time	-	20	-	ns	

* After 30min. storage in darkness

NOTE: Anode characteristics are measured with the voltage distribution ratio shown below.

VOLTAGE DISTRIBUTION RATIO AND SUPPLY VOLTAGE

Electrodes	K	Dy1	Dy2	Dy3	Dy4	Dy5	Dy6	Dy7	Dy8	Dy9	P
Ratio	1	1	1	1	1	1	1	1	1	1	1

Supply Voltage : 1250Vdc, K : Cathode, Dy : Dynode, P : Anode

Subject to local technical requirements and regulations, availability of products included in this promotional material may vary. Please consult with our sales office.

Information furnished by HAMAMATSU is believed to be reliable. However, no responsibility is assumed for possible inaccuracies or omissions. Specifications are subject to change without notice. No patent right are granted to any of the circuits described herein. © 1994 Hamamatsu Photonics K.K.

PHOTOMULTIPLIER TUBES R636-10, R758-10

Figure 1: Typical Spectral Response

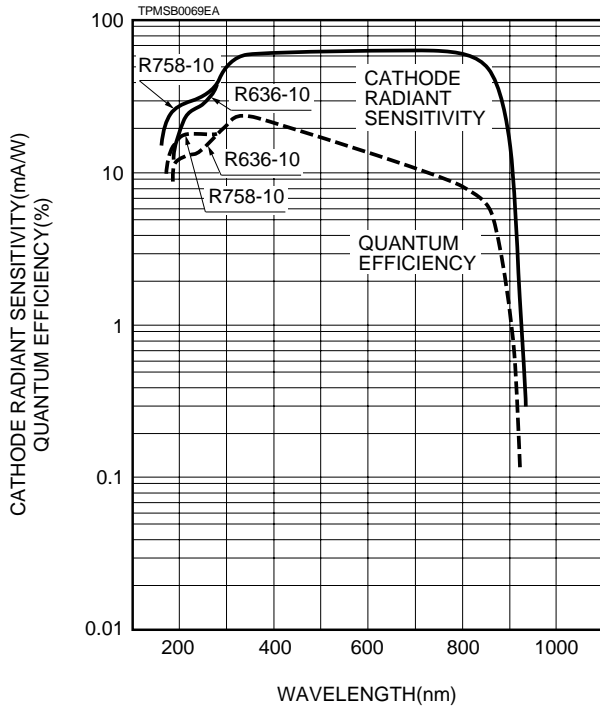


Figure 2: Typical Anode Sensitivity and Typical Gain

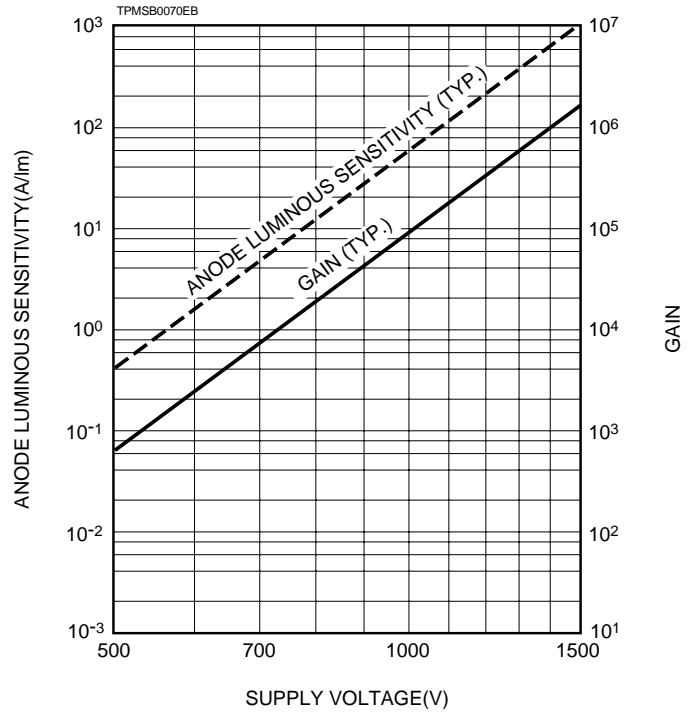
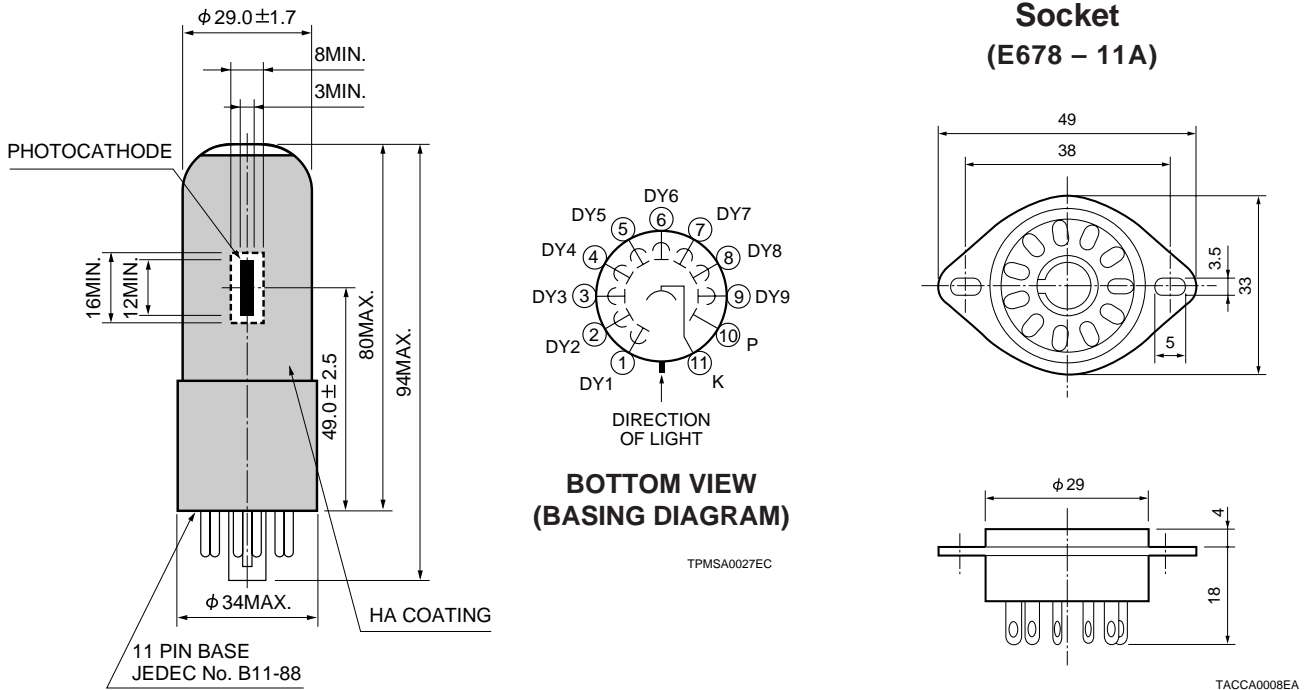


Figure 3: Dimensional Outline and Basing Diagram (Unit : mm)



HAMAMATSU

HAMAMATSU PHOTONICS K.K., Electron Tube Center

314-5, Shimokanzo, Toyooka-village, Iwata-gun, Shizuoka-ken, 438-0193, Japan, Telephone: (81)539/62-5248, Fax: (81)539/62-2205

U.S.A.: Hamamatsu Corporation: 360 Foothill Road, Bridgewater, N.J. 08807-0910, U.S.A., Telephone: (1)908-231-0960, Fax: (1)908-231-1218

Germany: Hamamatsu Photonics Deutschland GmbH: Arzbergerstr. 10, D-82211 Herrsching am Ammersee, Germany, Telephone: (49)8152-375-0, Fax: (49)8152-2658

France: Hamamatsu Photonics France S.A.R.L.: 8, Rue du Saule Trapu, Parc du Moulin de Massy, 91882 Massy Cedex, France, Telephone: (33)1 69 53 71 00, Fax: (33)1 69 53 71 10

United Kingdom: Hamamatsu Photonics UK Limited: Lough Point, 2 Gladbeck Way, Windmill Hill, Enfield, Middlesex EN2 7JA, United Kingdom, Telephone: (44)181-367-3560, Fax: (44)181-367-6384

North Europe: Hamamatsu Photonics Norden AB: Färögatan 7, S-164-40 Kista Sweden, Telephone: (46)8-703-29-50, Fax: (46)8-750-58-95

Italy: Hamamatsu Photonics Italia: S.R.L.: Via Della Moia, 1/E, 20020 Arese, (Milano), Italy, Telephone: (39)2-935 81 733, Fax: (39)2-935 81 741

TPMS1016E03
JUN. 1994