

■ Features

- Easy magnification change (removal of optical fiber not required)

■ Applications

- Laser soldering
- Plastic welding
- Thermal processing



■ Outline

This is a focusing lens unit dedicated to irradiation unit for LD irradiation light source SPOLD®. The focusing magnification can be changed easily by replacement of focusing lens unit.

■ General ratings

Parameter	Rating	Unit
Operating temperature *	+10 to +30	°C
Storage temperature *	-20 to +50	°C
Storage and operating humidity *	≤60	%
Place of use	Indoor at an altitude of ≤2000 m	—

* No condensation

■ Specifications

Parameter	A12803-30-F050	A12803-30-F100	A12803-30-F150	A12803-30-F200	Unit
Corresponding LD irradiation light source	L14140 series and L13920 series (when using A12803-30 series)				—
Working distance *1	Approx. 44	Approx. 96	Approx. 148	Approx. 198	mm
Laser transmittance	≤95				%
Dimensions (D × L) *2	φ30 × 8.5				mm
Weight	≤10				g

*1: Optical designing value: Distance from end of protective glass holder inside irradiation unit

*2: For tolerance, refer to dimensional outline.

Focusing lens unit A12803-30-Fxxx series

■ Combination table A12803-30-F50/F100

Corresponding irradiation unit			Focusing lens unit			
A12803 series			A12803-30-F050		A12803-30-F100	
Type No.	Focusing magnification	Working distance	Focusing magnification	Working distance	Focusing magnification	Working distance
A12803-30-10SA/DA	×1	44 mm	—	—	×2	96 mm
A12803-30-20SA/DA	×2	96 mm	×1	44 mm	—	—
A12803-30-40DA	×4	98 mm	×2	44 mm	—	—
A12803-30-80DA	×8	96 mm	×4	44 mm	—	—

* Light condensing spot diameter is calculated by core diameter of laser transmitting optical fiber × focusing magnification.

* Working distance: Distance from end of protective glass holder.

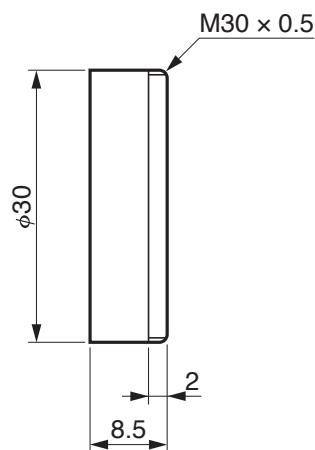
■ Combination table A12803-30-F150/F200

Corresponding irradiation unit			Focusing lens unit			
A12803 series			A12803-30-F150		A12803-30-F200	
Type No.	Focusing magnification	Working distance	Focusing magnification	Working distance	Focusing magnification	Working distance
A12803-30-10SA/DA	×1	44 mm	×3	148 mm	×4	198 mm
A12803-30-20SA/DA	×2	96 mm	×3	148 mm	×4	198 mm
A12803-30-40DA	×4	98 mm	×6	148 mm	×8	198 mm
A12803-30-80DA	×8	96 mm	—	—	—	—

* Light condensing spot diameter is calculated by core diameter of laser transmitting optical fiber × focusing magnification.

* Working distance: Distance from end of protective glass holder.

● Dimensional outline (Unit: mm)

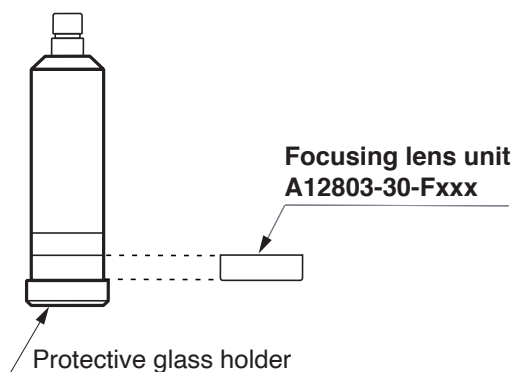


LHA3B0025-20

* Unspecified tolerance shall be ±0.2 mm.

● Focusing lens unit installation image

Irradiation unit A12803-30 series



● Information described in this material current as of March 2021. Specifications are subject to change without notice.

HAMAMATSU PHOTONICS K.K. www.hamamatsu.com

Laser Promotion Division, Business Promotion G.

1-8-3, Shinmiyakoda, Kita-ku, Hamamatsu City, Shizuoka, 431-2103, Japan, Telephone: (81)53-484-1301, Fax: (81)53-484-1302, E-mail: sales-laser@lpd.hpk.co.jp

U.S.A.: Hamamatsu Corporation: 360 Foothill Road, Bridgewater, NJ 08807, U.S.A., Telephone: (1)908-231-0960, Fax: (1)908-231-1218 E-mail: usa@hamamatsu.com

Germany: Hamamatsu Photonics Deutschland GmbH: Arzbergerstr. 10, D-82211 Herrsching am Ammersee, Germany, Telephone: (49)8152-375-0, Fax: (49)8152-265-8 E-mail: info@hamamatsu.de

France: Hamamatsu Photonics France S.A.R.L.: 19, Rue du Saule Trapu, Parc du Moulin de Massy, 91882 Massy Cedex, France, Telephone: (33)1 69 53 71 00, Fax: (33)1 69 53 71 10 E-mail: info@hamamatsu.fr

United Kingdom: Hamamatsu Photonics UK Limited: 2 Howard Court, 10 Tewin Road, Welwyn Garden City, Hertfordshire AL7 1BW, UK, Telephone: (44)1707-294888, Fax: (44)1707-325777 E-mail: info@hamamatsu.co.uk

North Europe: Hamamatsu Photonics Norden AB: Torshamnsgatan 35 16440 Kista, Sweden, Telephone: (46)8-509 031 00, Fax: (46)8-509 031 01 E-mail: info@hamamatsu.se

Italy: Hamamatsu Photonics Italia S.r.l.: Strada della Moia, 1 int. 6, 20020 Arese (Milano), Italy, Telephone: (39)02-93 58 17 33, Fax: (39)02-93 58 17 41 E-mail: info@hamamatsu.it

China: Hamamatsu Photonics (China) Co., Ltd.: 1201 Tower B, Jiaming Center, 27 Dongsanhuan Beilu, Chaoyang District, 100020 Beijing, P.R. China, Telephone: (86)10-6586-6006, Fax: (86)10-6586-2866 E-mail: hpc@hamamatsu.com.cn

Taiwan: Hamamatsu Photonics Taiwan Co., Ltd.: 8F-3, No.158, Section 2, Gongdao 5th Road, East District, Hsinchu, 300, Taiwan R.O.C. Telephone: (886)3-659-0080, Fax: (886)3-659-0081 E-mail: info@hamamatsu.com.tw

Cat. No. LAPL3004E03
MAR. 2021