

■ **Features**

- High uniformity
- High efficiency with anti-reflective coating
- Optimal design for wavefront shaper

■ **Applications**

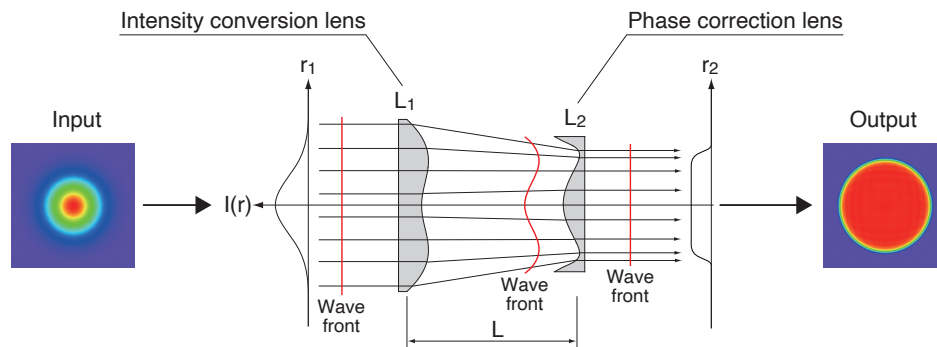
- Homogenization of the laser beam
- Laser processing



■ **Outline**

An optical element that converts the intensity distribution of a Gaussian beam into a uniform distribution by a pair of aspherical lenses. By shaping uniform distribution in intensity, power density per unit area is reduced."

Figure 1: Principle of laser beam homogenization



■ **General ratings**

Parameter	Specification	Unit
Operating temperature	+20 to +35	°C
Storage temperature	-20 to +55	°C

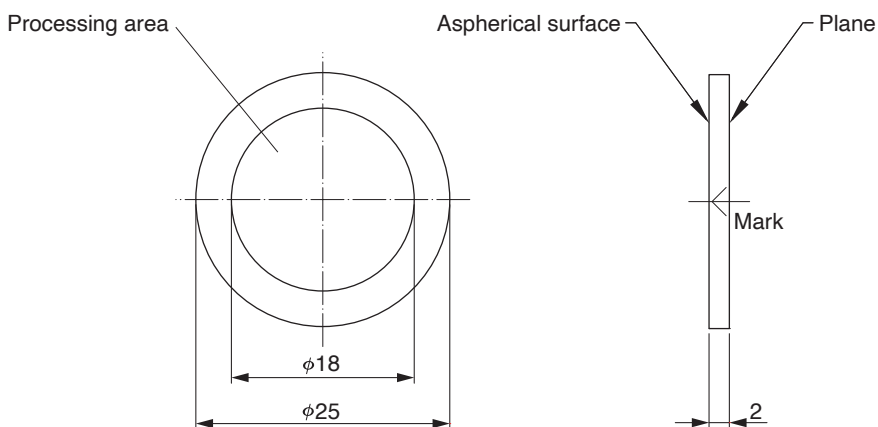
Homogenizer A16575 series

■ Specification

Parameter	Specification				Unit
	A16575-02	A16575-03	A16575-04M	A16575-12	
Wavelength	750 to 850	1000 to 1100	460 to 560	850 to 1000	nm
Beam profile of incident	Gaussian beam				—
Incident beam diameter	7.0 ± 0.5 (at 1/e ²)				mm
Beam diameter after intensity conversion	11.0 ± 0.5 (at 1/e ²)				mm
Distance between the intensity conversion lens and the phase correction lens	148 ± 1				mm

Figure 2: Dimensions (unit: mm)

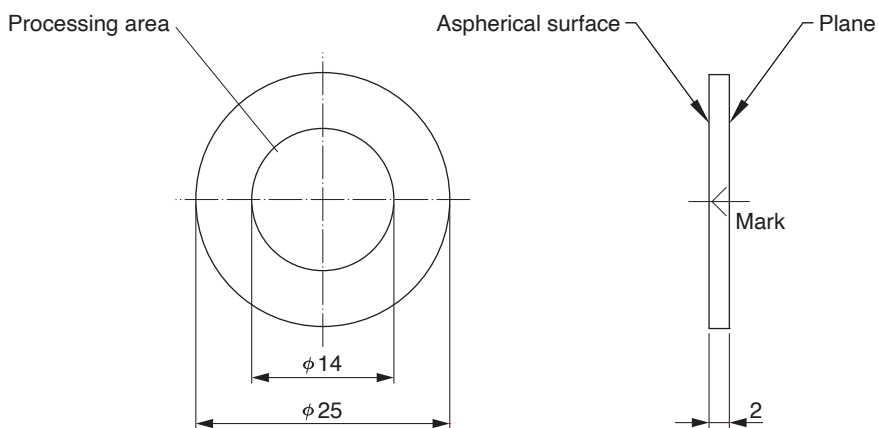
● Intensity conversion lens



* Without indication, the tolerance is ±0.1 mm.

LEI-F20121

● Phase correction lens



* Without indication, the tolerance is ±0.1 mm.

LEI-F20122

● Information described in this material current as of January 2022. Specifications are subject to change without notice.

HAMAMATSU PHOTONICS K.K. www.hamamatsu.com

Laser Promotion Division, Business Promotion G.

1-8-3, Shinmiyakoda, Kita-ku, Hamamatsu City, Shizuoka, 431-2103, Japan, Telephone: (81)53-484-1301, Fax: (81)53-484-1302, E-mail: sales-laser@lpd.hpk.co.jp

U.S.A.: HAMAMATSU CORPORATION: 360 Foothill Road, Bridgewater, NJ 08807, U.S.A., Telephone: (1)908-231-0960, Fax: (1)908-231-1218 E-mail: usa@hamamatsu.com

Germany: HAMAMATSU PHOTONICS DEUTSCHLAND GMBH.: Arzbergerstr. 10, 82211 Herrsching am Ammersee, Germany, Telephone: (49)8152-375-0, Fax: (49)8152-265-8 E-mail: info@hamamatsu.de

France: HAMAMATSU PHOTONICS FRANCE S.A.R.L.: 19, Rue du Saule Trapu, Parc du Moulin de Massy, 91882 Massy Cedex, France, Telephone: (33)1 69 53 71 00, Fax: (33)1 69 53 71 10 E-mail: infos@hamamatsu.fr

United Kingdom: HAMAMATSU PHOTONICS UK LIMITED: 2 Howard Court, 10 Tewin Road, Welwyn Garden City, Hertfordshire AL7 1BW, UK, Telephone: (44)1707-294888, Fax: (44)1707-325777 E-mail: info@hamamatsu.co.uk

North Europe: HAMAMATSU PHOTONICS NORDEN AB: Torshamnsgatan 35 16440 Kista, Sweden, Telephone: (46)8-509 031 00, Fax: (46)8-509 031 01 E-mail: info@hamamatsu.se

Italy: HAMAMATSU PHOTONICS ITALIA S.R.L.: Strada della Moia, 1 int. 6, 20044 Arese (Milano), Italy, Telephone: (39)02-93 58 17 33, Fax: (39)02-93 58 17 41 E-mail: info@hamamatsu.it

China: HAMAMATSU PHOTONICS (CHINA) CO., LTD.: 1201 Tower B, Jiaming Center, 27 Dongsanhuan Beilu, Chaoyang District, 100020 Beijing, P.R. China, Telephone: (86)10-6586-6006, Fax: (86)10-6586-2866 E-mail: hpc@hamamatsu.com.cn

Taiwan: HAMAMATSU PHOTONICS TAIWAN CO., LTD.: 8F-3, No.158, Section 2, Gongdao 5th Road, East District, Hsinchu, 300, Taiwan R.O.C. Telephone: (886)3-659-0080, Fax: (886)3-659-0081 E-mail: info@hamamatsu.com.tw

Cat. No. LLAP3008E02
JAN. 2022 IP