



C10854

Near infrared line camera (Line rate: 31.25 kHz)

The C10854 is a multichannel detector head suitable for applications where high-speed response is required, such as SD-OCT (spectral domain-optical coherence tomography) and sorting machines. The Hamamatsu G10768 series InGaAs near-infrared linear image sensor (sold separately) can be easily installed in the C10854.

This product comes with application software (DCam-CL) that runs on Microsoft® Windows® 10 (64-bit). It can be used to easily operate the C10854 from the PC connected via CameraLink interface. This product also includes DLLs that the user can use to create original control programs.

Features

- High-speed operation: 5 MHz
- Line rate: 31.25 kHz
- 1024 pixels (128 pixels × 8 ports)
- Supports CameraLink

Note: Microsoft, Windows and Visual Studio are either registered trademarks or trademarks of Microsoft Corporation in the United States and other countries.

Applications

- Foreign object screening
- OCT (optical coherence tomography)
- Near infrared spectroscopy

The table below shows InGaAs linear image sensors applicable for the C10854 (sold separately).

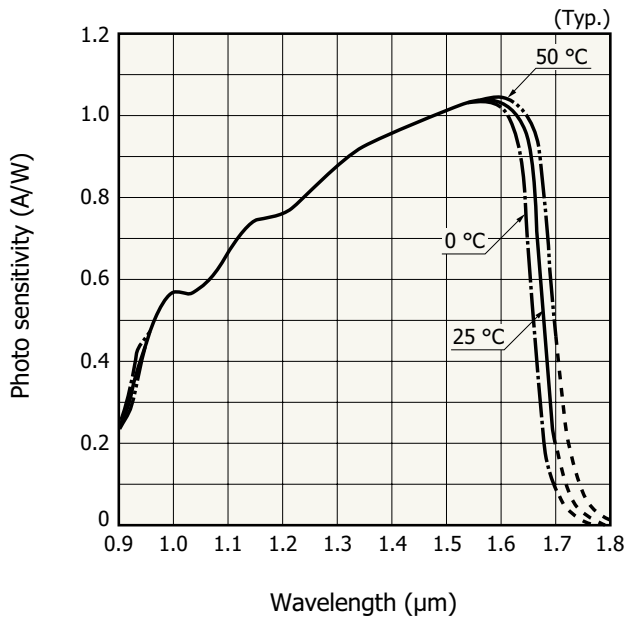
Type no.	InGaAs linear image sensor			
	Spectral response range (μm)	Number of pixels	Pixel size (μm)	Effective photosensitive area length (mm)
G10768-1024D	0.9 to 1.7	1024	25 × 100	25.6
G10768-1024DB			25 × 25	

Specifications (Unless otherwise noted, Typ. Ta=25 °C)

Parameter	Condition	Specification	Unit
Clock frequency		5	MHz
Line scan rate		31.25	kHz
Line readout time		32	μs
Data transfer time		17.07	μs
Total transfer time		49.07	μs
A/D conversion resolution		16	bit
Interface		CameraLink (Base configuration)	-
Supply voltage	±5%, 1 A max.	+5	Vdc
Operating temperature	No dew condensation*1	0 to +50	°C
Storage temperature	No dew condensation*1	-20 to +70	°C
Dimension	Excluding projecting parts	80 (W) × 69.5 (D) × 65 (H)	mm
Weight		330	g

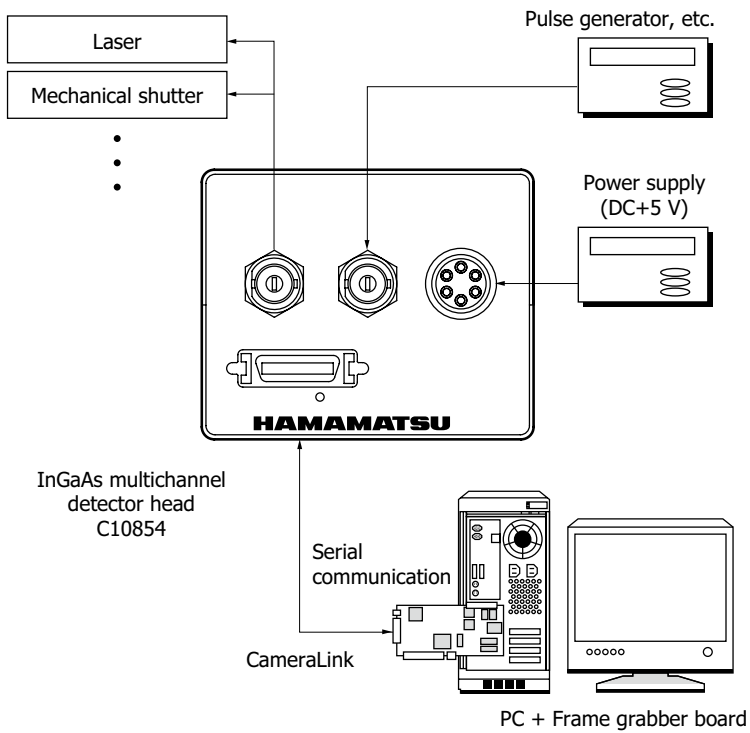
*1: When there is a temperature difference between a product and the surrounding area in high humidity environments, dew condensation may occur on the product surface. Dew condensation on the product may cause deterioration in characteristics and reliability.

Spectral response (G10768 series)



KMIRB0042EB

Connection example



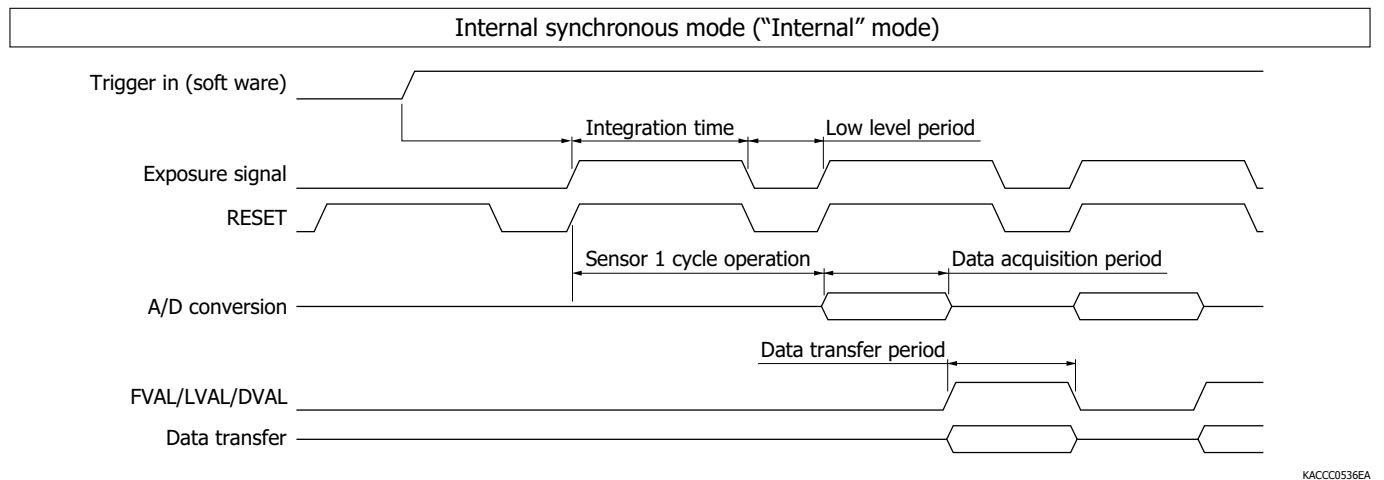
KACCC0469EB

Functions

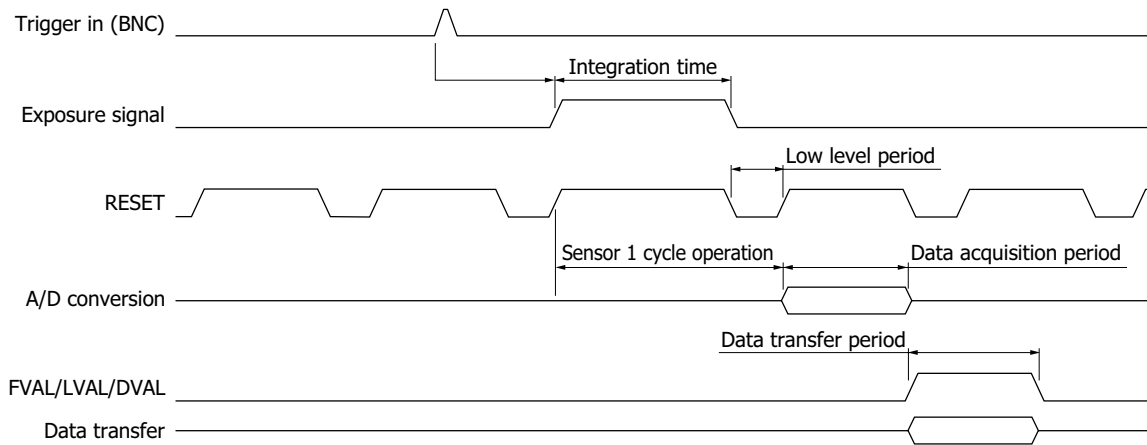
Parameter	Specifications
Operation mode	<p>"Standby" mode (white LED lighting) It is standby state. At this moment, the InGaAs linear image sensor is sweeping out dark current, by performing so called dummy scan operation.</p> <p>"Date transfer" mode (LED-green, aqua, blue, purple) The multichannel detector head transfers data to PC. Color of LED changes depending upon the data acquisition mode.</p>
Data acquisition mode	<p>Internal synchronous mode ("Internal" mode) Data is acquired on the basis of the trigger timing generated by application software.</p> <p>External synchronous edge mode 1 ("External edge 1" mode) Data is acquired in synchronization with the external trigger signal input from the built-in BNC connector. Signal integration starts after an external trigger signal is input and any dummy operation ends.</p> <p>External synchronous level mode 1 ("External level 1" mode)</p> <p>External synchronous edge mode 2 ("External edge 2" mode) Data is acquired in synchronization with the external trigger signal input from the built-in BNC connector. Signal integration starts after an external trigger signal is input.</p> <p>External synchronous level mode 2 ("External level 2" mode)</p> <p>External synchronous mode 2 ("External gating" mode) Data is acquired in synchronization with the trigger timing from the application software and the external trigger signal input from the built-in BNC connector.</p>
Offset adjustment	The offset value can be varied in the range of [0 to 511] with the step of 1. Default value is "10".
Pulse output setting	It is possible to perform the timing setup of the "pulse output signal (PULSE OUT)" outputted from the BNC connector used as PULSE_OUT of the multichannel detector head.
Selection of conversion efficiency*2	Conversion efficiency can be selected from 4 different levels.

*2: Refer to the datasheet "InGaAs linear image sensors G10768 series".

Timing chart

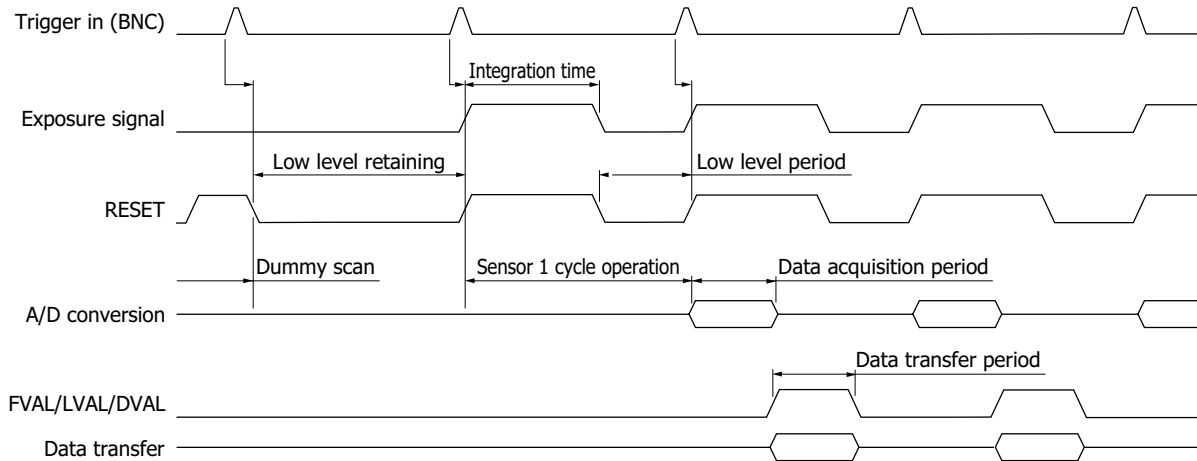


External synchronous edge mode 1 ("External edge 1" mode)



KACCC0537EA

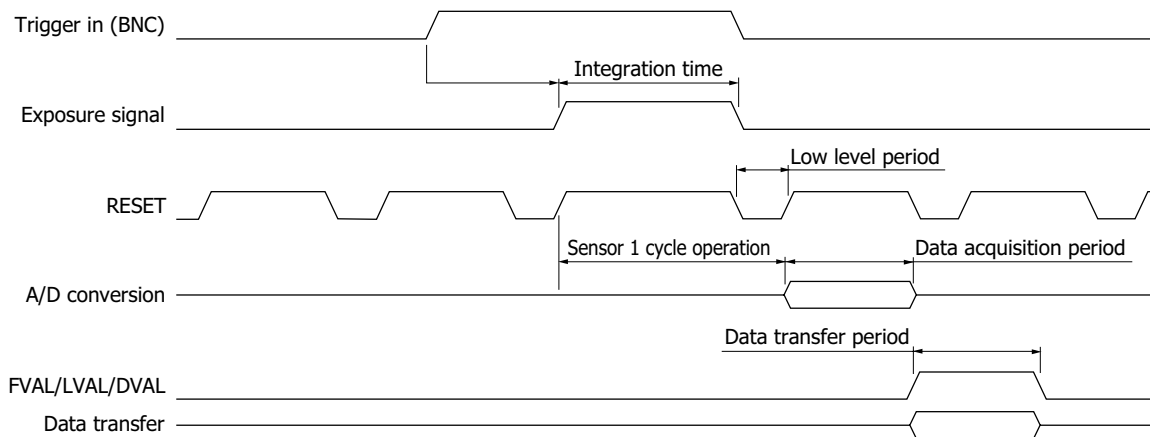
External synchronous edge mode 2 ("External edge 2" mode)



Note: The input interval of external triggers must be longer than the integration time + low level period.

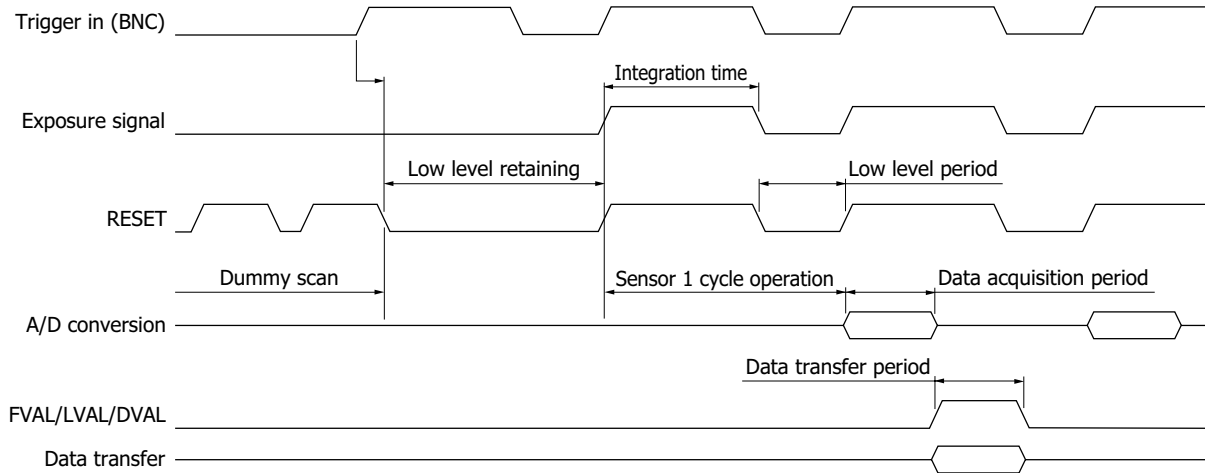
KACCC0538EA

External synchronous level mode 1 ("External level 1" mode)



KACCC0539EA

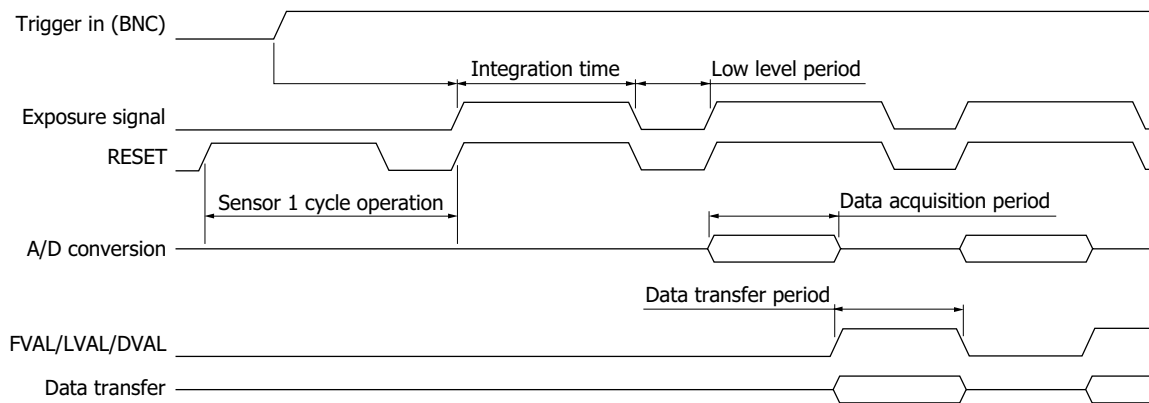
External synchronous level mode 2 ("External level 2" mode)



Note: The input interval of external triggers must be longer than the integration time + low level period.
The pulse width of external triggers must be longer than the low level period.

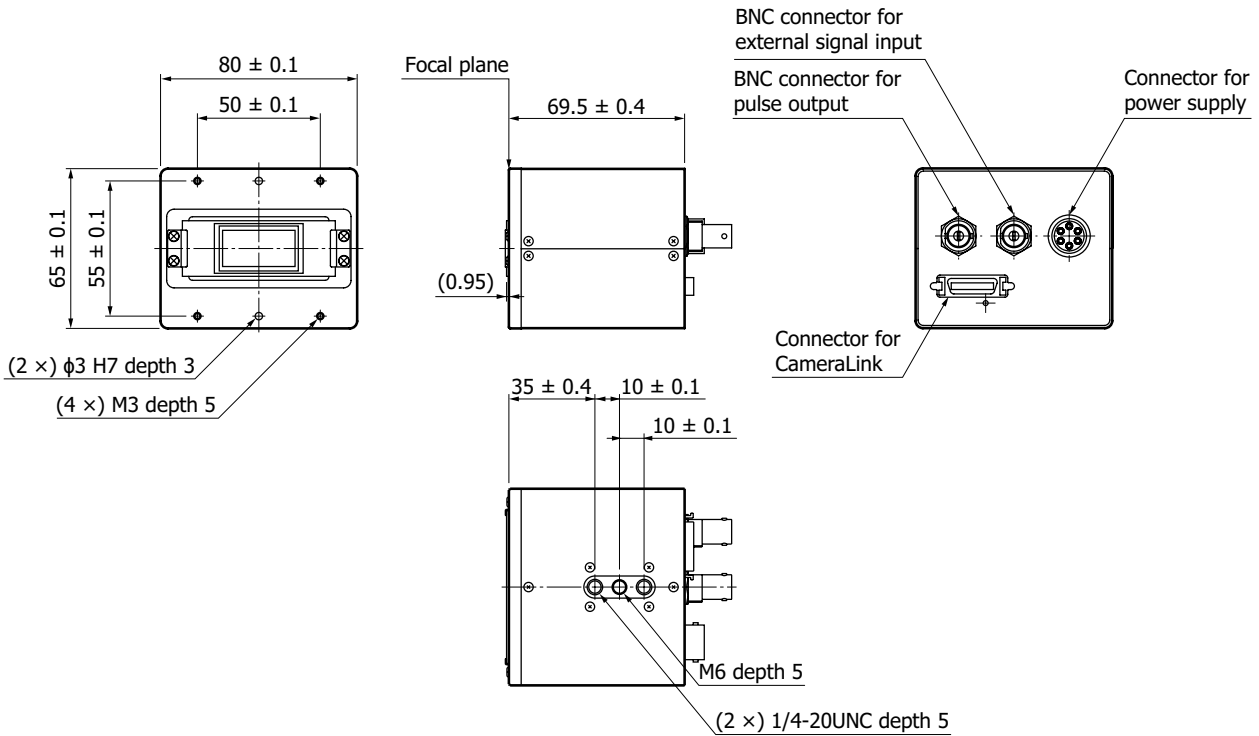
KACCC0540EA

External synchronous gate mode ("External gating" mode)



KACCC0541EA

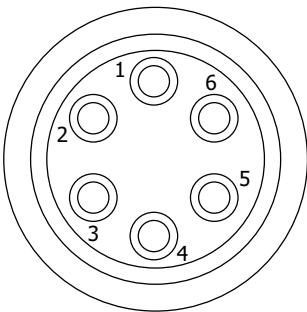
Dimensional outline (unit: mm)



KACCA0238ED

Pin connections

Connector for "POWER" [HIROSE RM12BRD-6PH (71)]



KACCC0470EA

Pin no.	Signal
1	+5 V
2	+5 V
3	+5 V
4	GND
5	GND
6	GND

Accessories

- Power cable (1.5 m)
- Application software (DCam-CL)
- SDK

Note: A National Instruments frame grabber board and NI-IMAQ are required to use the supplied application software (DCam-CL) and SDK. Operation of the following frame grabber boards has been verified. Please contact each frame grabber board to the manufacturer.

Manufacturer	Model no.	Supported OS	Driver
National Instruments	PCIe-1427	Windows® 10 (64-bit)	National Instruments tool (supplied with NI-IMAQ)
	PCIe-1433		

Option (sold separately)

- F-mount adapter A11544

**Related information**

www.hamamatsu.com/sp/ssd/doc_en.html

- Precautions
- Notice

Information described in this material is current as of March 2022.

Product specifications are subject to change without prior notice due to improvements or other reasons. This document has been carefully prepared and the information contained is believed to be accurate. In rare cases, however, there may be inaccuracies such as text errors. Before using these products, always contact us for the delivery specification sheet to check the latest specifications.

The product warranty is valid for one year after delivery and is limited to product repair or replacement for defects discovered and reported to us within that one year period. However, even if within the warranty period we accept absolutely no liability for any loss caused by natural disasters or improper product use. Copying or reprinting the contents described in this material in whole or in part is prohibited without our prior permission.

HAMAMATSU

www.hamamatsu.com

HAMAMATSU PHOTONICS K.K., Solid State Division

1126-1 Ichino-cho, Higashi-ku, Hamamatsu City, 435-8558 Japan, Telephone: (81)53-434-3311, Fax: (81)53-434-5184

U.S.A.: HAMAMATSU CORPORATION: 360 Foothill Road, Bridgewater, NJ 08807, U.S.A., Telephone: (1)908-231-0960, Fax: (1)908-231-1218 E-mail: usa@hamamatsu.com

Germany: HAMAMATSU PHOTONICS DEUTSCHLAND GMBH.: Arzbergerstr. 10, 82211 Herrsching am Ammersee, Germany, Telephone: (49)8152-375-0, Fax: (49)8152-265-8 E-mail: info@hamamatsu.de

France: HAMAMATSU PHOTONICS FRANCE S.A.R.L.: 19, Rue du Saule Trapu, Parc du Moulin de Massy, 91882 Massy Cedex, France, Telephone: (33)1 69 53 71 00, Fax: (33)1 69 53 71 10 E-mail: infos@hamamatsu.fr

United Kingdom: HAMAMATSU PHOTONICS UK LIMITED: 2 Howard Court, 10 Tewin Road, Welwyn Garden City, Hertfordshire AL7 1BW, UK, Telephone: (44)1707-294888, Fax: (44)1707-325777 E-mail: info@hamamatsu.co.uk

North Europe: HAMAMATSU PHOTONICS NORDEN AB: Torshamnsgatan 35 16440 Kista, Sweden, Telephone: (46)8-509 031 00, Fax: (46)8-509 031 01 E-mail: info@hamamatsu.se

Italy: HAMAMATSU PHOTONICS ITALIA S.R.L.: Strada della Moia, 1 int. 6, 20044 Arese (Milano), Italy, Telephone: (39)02-93 58 17 33, Fax: (39)02-93 58 17 41 E-mail: info@hamamatsu.it

China: HAMAMATSU PHOTONICS (CHINA) CO., LTD.: 1201 Tower B, Jianning Center, 27 Dongsanhuan Beilu, Chaoyang District, 100020 Beijing, P.R. China, Telephone: (86)10-6586-6006, Fax: (86)10-6586-2866 E-mail: hpc@hamamatsu.com.cn

Taiwan: HAMAMATSU PHOTONICS TAIWAN CO., LTD.: 8F-3, No.158, Section 2, Gongdao 5th Road, East District, Hsinchu, 300, Taiwan R.O.C. Telephone: (886)3-659-0080, Fax: (886)3-659-0081 E-mail: info@hamamatsu.com.tw