



C13367 series

Optical measurement modules for low-level light detection, flexible cable type, analog output

The C13367 series are optical measurement modules that can detect low-level light. It has a built-in MPPC with a flexible cable. These modules consist of an MPPC, an amplifier, a high-voltage power supply circuit, and a temperature compensation circuit. The photosensitive area is available in three sizes: 1.3 × 1.3 mm, 3 × 3 mm, 6 × 6 mm. The signal output is analog. The modules operate just by connecting them to an external power supply (±5 V).

Features

- Equipped with an MPPC with a flexible cable (for precision measurement)
The flexible cable makes it easy to arrange the MPPC.
- High sensitivity in the short wavelength range
- Low noise equivalent power
- Built-in temperature compensation circuit
- Compact and lightweight
- Analog output

Applications

- Flow cytometry
- Low-level light measurement
- Fluorescence measurement
- Analytical instruments

Structure

Parameter	Symbol	C13367-1350EA	C13367-3050EA	C13367-6050EA	Unit
Effective photosensitive area	-	1.3 × 1.3	3 × 3	6 × 6	mm
Pixel pitch	-	50			µm
Number of pixels	-	667	3600	14400	-

Absolute maximum ratings

Parameter	Symbol	Condition	Values	Unit
Supply voltage	Vs		±6	V
Operating temperature	Topr	No dew condensation*1	-20 to +60	°C
Storage temperature	Tstg	No dew condensation*1	-20 to +80	°C

*1: When there is a temperature difference between a product and the surrounding area in high humidity environment, dew condensation may occur on the product surface. Dew condensation on the product may cause deterioration in characteristics and reliability.

Note: Exceeding the absolute maximum ratings even momentarily may cause a drop in product quality. Always be sure to use the product within the absolute maximum ratings.

Electrical and optical characteristics (Ta=25 °C, λ=λp, Vs=±5 V, unless otherwise noted)

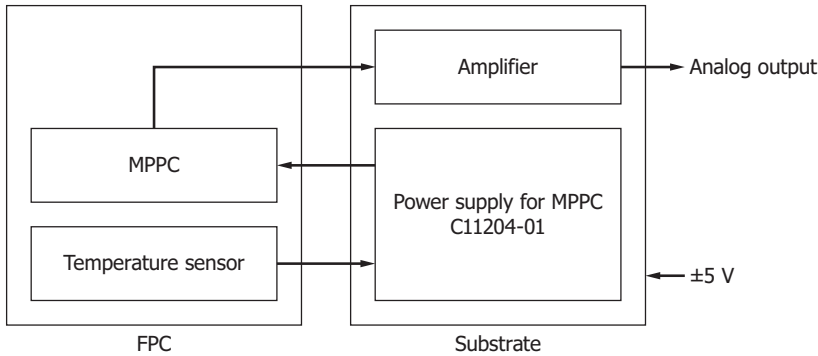
Parameter	Symbol	Condition	C13367-1350EA			C13367-3050EA			C13367-6050EA			Unit
			Min.	Typ.	Max.	Min.	Typ.	Max.	Min.	Typ.	Max.	
Spectral response range	λ		320 to 900			320 to 900			320 to 900			nm
Peak sensitivity wavelength	λp		-	500	-	-	500	-	-	500	-	nm
Temperature stability of output voltage	-	Ta=25 ± 10 °C	-	-	±5	-	-	±5	-	-	±5	%
Photoelectric sensitivity	-		0.7 × 10 ⁹	1.0 × 10 ⁹	1.3 × 10 ⁹	0.7 × 10 ⁹	1.0 × 10 ⁹	1.3 × 10 ⁹	0.7 × 10 ⁹	1.0 × 10 ⁹	1.3 × 10 ⁹	V/W
Cutoff frequency	High band	-3 dB, sine wave	3.5	5	-	3.5	5	-	2.5	3.5	-	MHz
	Low band		DC			DC			DC			-
Noise equivalent power	NEP	Dark state	-	0.5	1.0	-	1.2	2.0	-	2.3	4.6	fW/Hz ^{1/2}
Minimum detection limit	-	Dark state	-	1	2	-	2.7	4.5	-	4.3	8.6	pW rms
Maximum output voltage	-		-	4.7	-	-	4.7	-	-	4.7	-	V

Electrical characteristics

Parameter	Symbol	Condition	Min	Typ	Max	Unit
Supply voltage*	+Vs		+4.75	+5	+5.25	V
	-Vs		-4.75	-5	-5.25	
Current consumption	Ic	+Vs	-	+50	+250	mA
		-Vs	-	-20	-40	

* A power supply with 300 mA or higher output must be used.

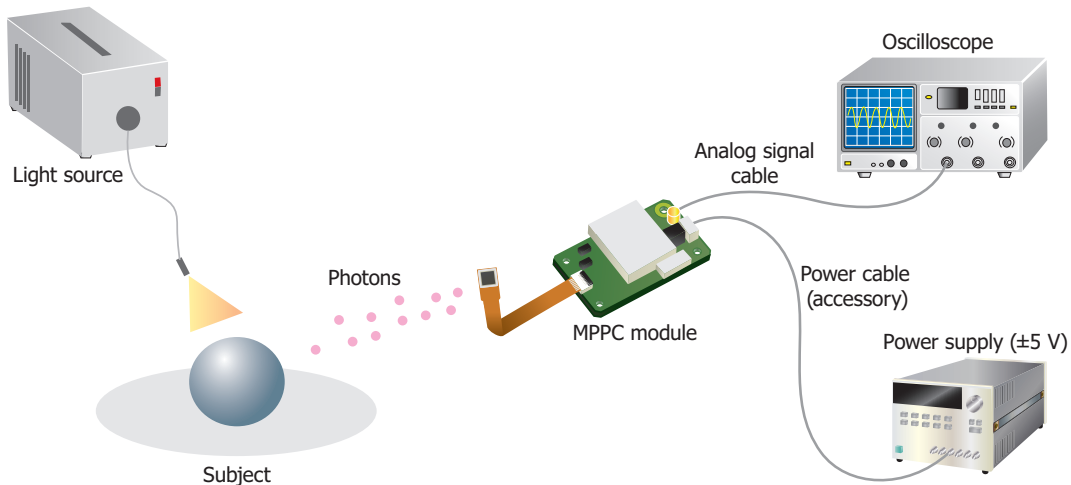
Block diagram



KACCC0929EA

Connection example

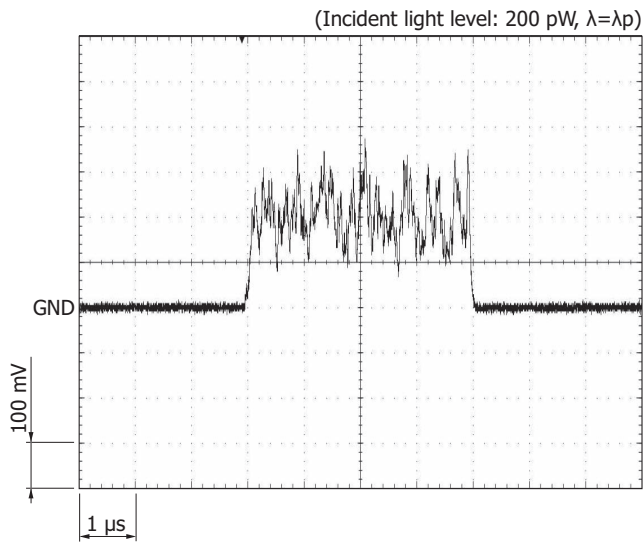
Using the supplied power cable, connect the MPPC module to a power supply. You can observe the MPPC module's output waveform by connecting the module to an oscilloscope.



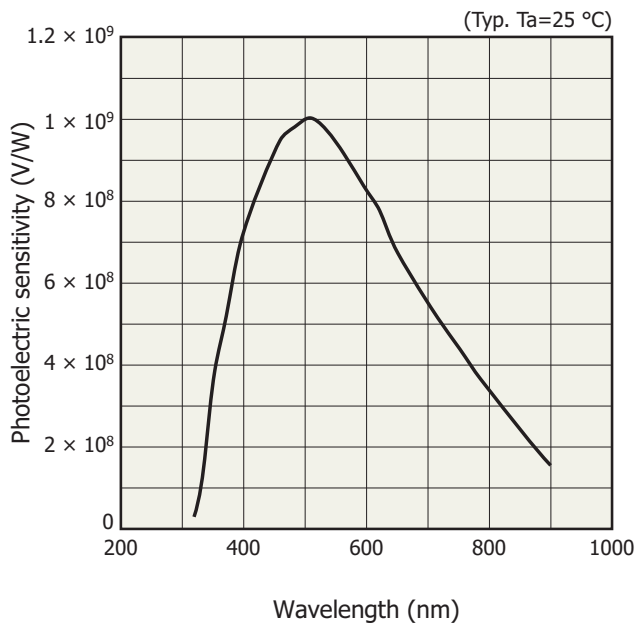
KACCC0928EA

Measurement example

Analog output

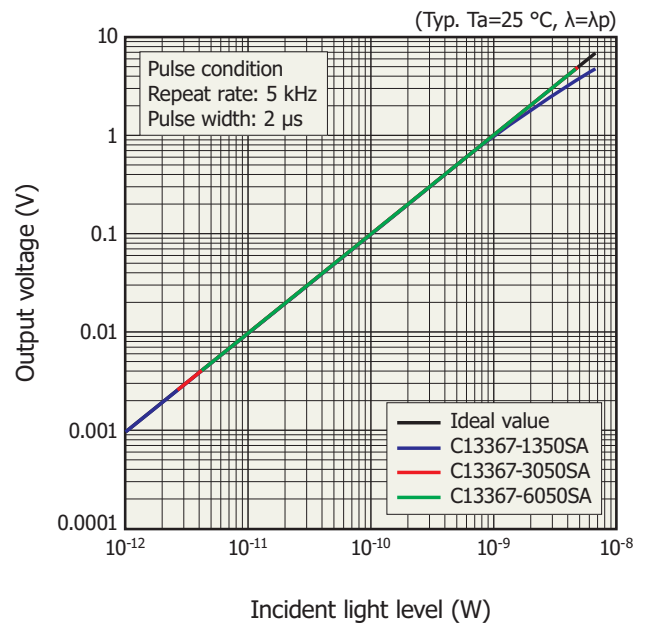


Photoelectric sensitivity vs. wavelength



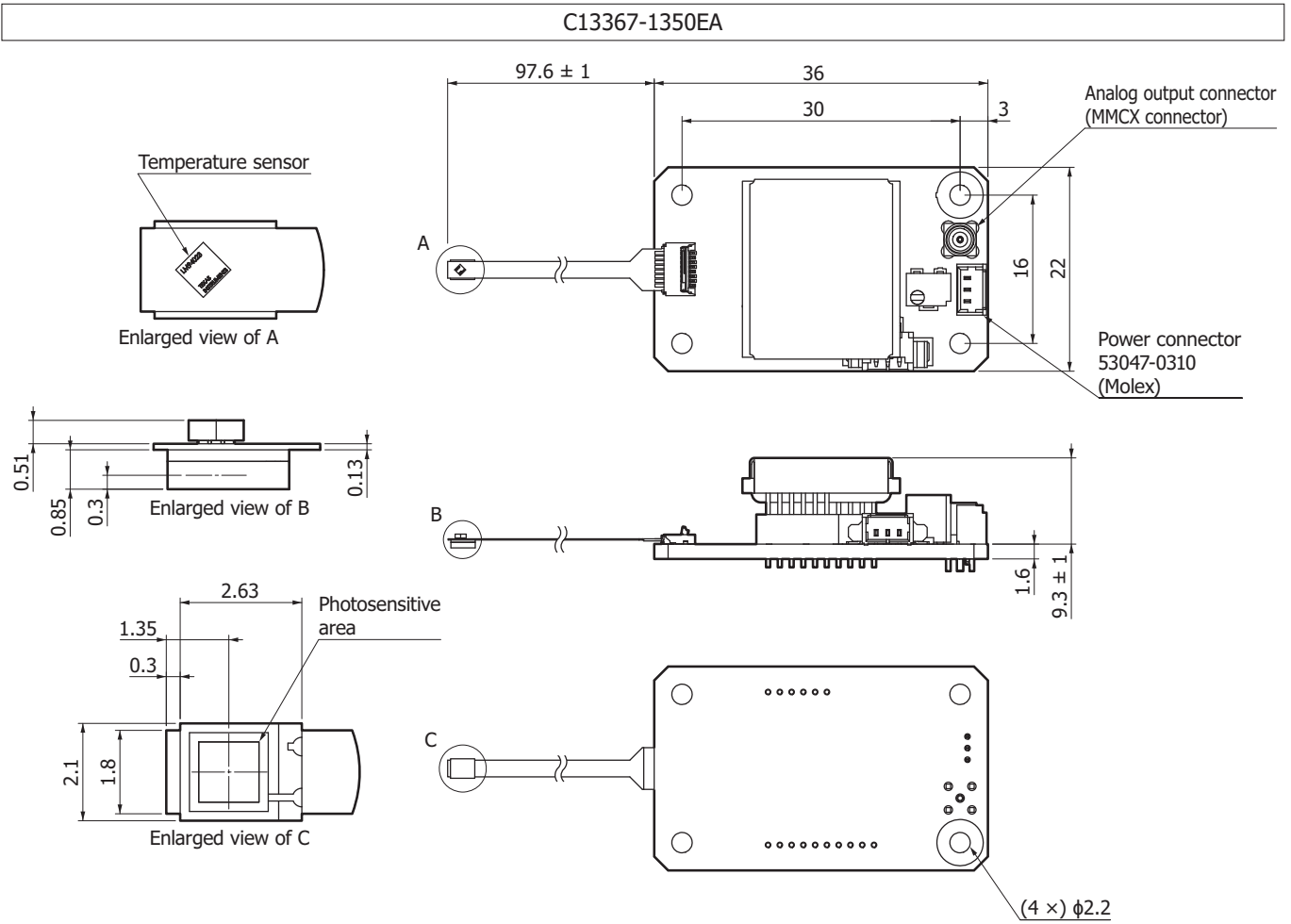
KACCB0537EA

Linearity



KACCB0549EA

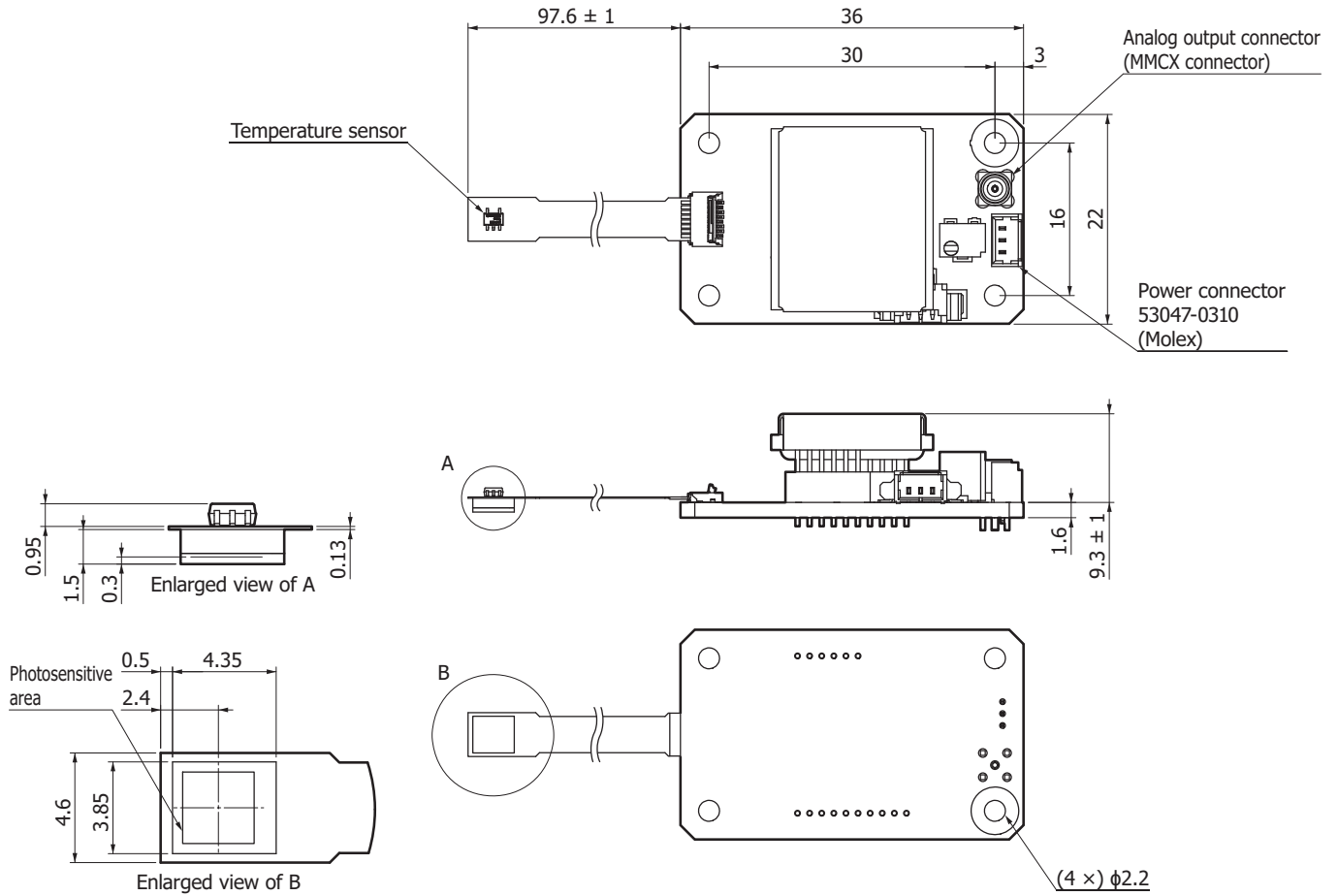
Dimensional outlines (unit: mm)



Tolerance unless otherwise noted: ± 0.3

KACCA0422EB

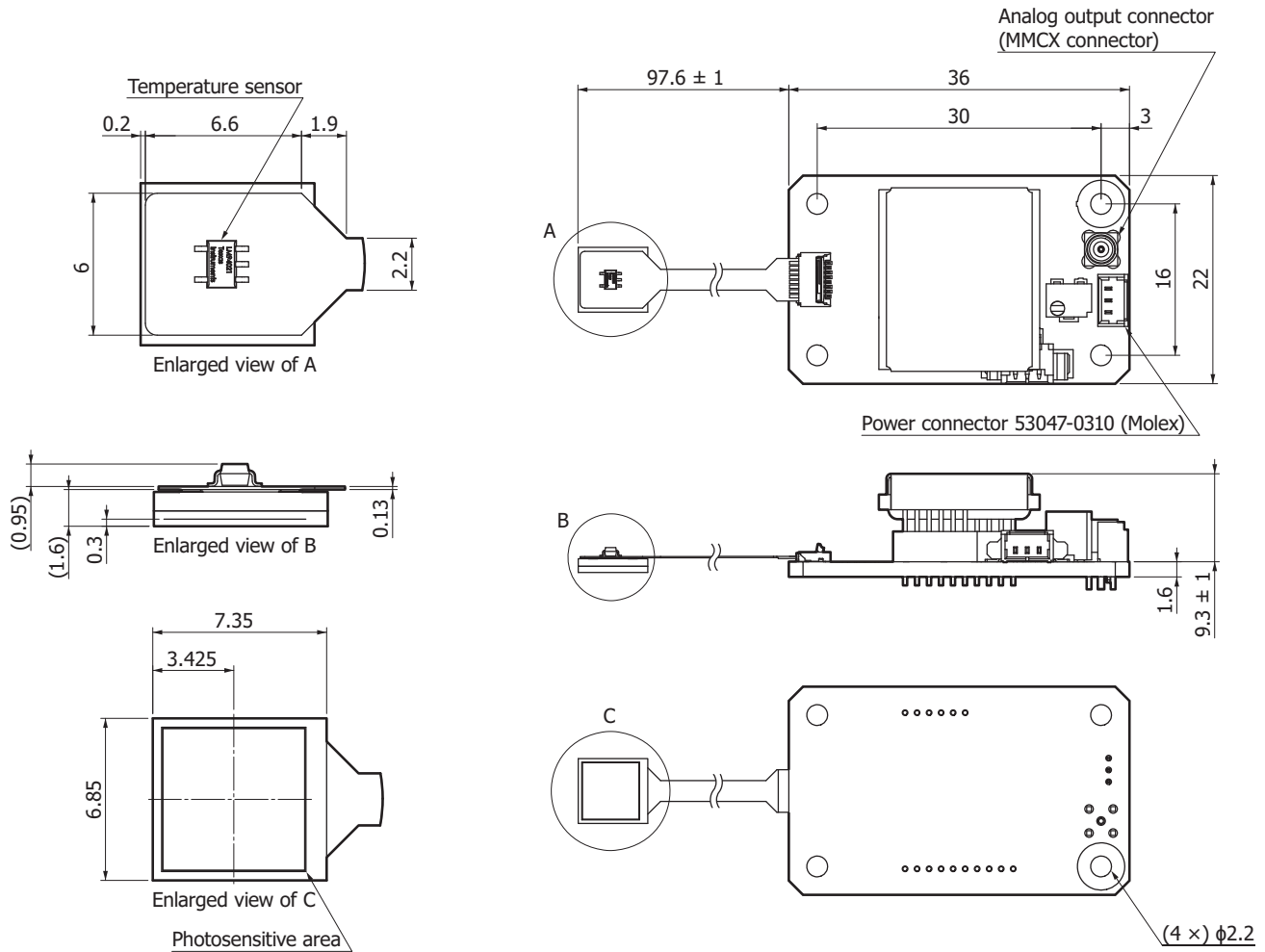
C13367-3050EA



Tolerance unless otherwise noted: ± 0.3

KACCA0423EB

C13367-6050EA



Tolerance unless otherwise noted: ±0.3

KACCA0424EB

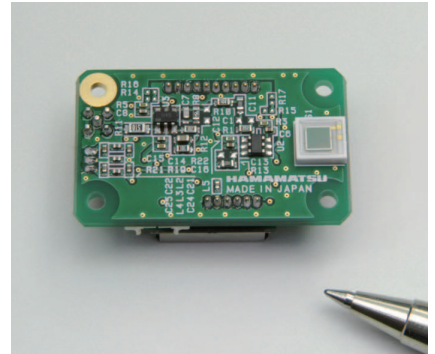
Accessories

- Power cable
- Instruction manual

Related products

MPPC module C13365 series

The C13365 series are optical measurement modules with an MPPC that can detect low-level light. These modules consist of an MPPC, an amplifier, a high-voltage power supply circuit, and a temperature compensation circuit. The signal output is analog. The MPPC of the C13367 series has a flexible cable, but that of the C13365 series is mounted on the circuit board.



Related information

www.hamamatsu.com/sp/ssd/doc_en.html

- Precautions
- Disclaimer

MPPC is a registered trademark of Hamamatsu Photonics K.K.

Information described in this material is current as of March 2020.

Product specifications are subject to change without prior notice due to improvements or other reasons. This document has been carefully prepared and the information contained is believed to be accurate. In rare cases, however, there may be inaccuracies such as text errors. Before using these products, always contact us for the delivery specification sheet to check the latest specifications.

The product warranty is valid for one year after delivery and is limited to product repair or replacement for defects discovered and reported to us within that one year period. However, even if within the warranty period we accept absolutely no liability for any loss caused by natural disasters or improper product use. Copying or reprinting the contents described in this material in whole or in part is prohibited without our prior permission.

HAMAMATSU

www.hamamatsu.com

HAMAMATSU PHOTONICS K.K., Solid State Division

1126-1 Ichino-cho, Higashi-ku, Hamamatsu City, 435-8558 Japan, Telephone: (81)53-434-3311, Fax: (81)53-434-5184

U.S.A.: Hamamatsu Corporation: 360 Foothill Road, Bridgewater, N.J. 08807, U.S.A., Telephone: (1)908-231-0960, Fax: (1)908-231-1218, E-mail: usa@hamamatsu.com

Germany: Hamamatsu Photonics Deutschland GmbH: Arzbergerstr. 10, D-82211 Herrsching am Ammersee, Germany, Telephone: (49)8152-375-0, Fax: (49)8152-265-8, E-mail: info@hamamatsu.de

France: Hamamatsu Photonics France S.A.R.L.: 19, Rue du Saule Trapu, Parc du Moulin de Massy, 91882 Massy Cedex, France, Telephone: (33)1 69 53 71 00, Fax: (33)1 69 53 71 10, E-mail: infos@hamamatsu.fr

United Kingdom: Hamamatsu Photonics UK Limited: 2 Howard Court, 10 Tewin Road, Welwyn Garden City, Hertfordshire AL7 1BW, United Kingdom, Telephone: (44)1707-294888, Fax: (44)1707-325777, E-mail: info@hamamatsu.co.uk

North Europe: Hamamatsu Photonics Norden AB: Torshamnsgatan 35 16440 Kista, Sweden, Telephone: (46)8-509 031 00, Fax: (46)8-509 031 01, E-mail: info@hamamatsu.se

Italy: Hamamatsu Photonics Italia S.r.l.: Strada della Moia, 1 int. 6, 20020 Arese (Milano), Italy, Telephone: (39)02-93 58 17 33, Fax: (39)02-93 58 17 41, E-mail: info@hamamatsu.it

China: Hamamatsu Photonics (China) Co., Ltd.: B1201, Jianning Center, No.27 Dongsanhuan Beilu, Chaoyang District, 100020 Beijing, P.R.China, Telephone: (86)10-6586-6006, Fax: (86)10-6586-2866, E-mail: hpc@hamamatsu.com.cn

Taiwan: Hamamatsu Photonics Taiwan Co., Ltd.: 8F-3, No. 158, Section2, Gongdao 5th Road, East District, Hsinchu, 300, Taiwan R.O.C. Telephone: (886)3-659-0080, Fax: (886)3-659-0081, E-mail: info@hamamatsu.com.tw