

OPTICAL PINHOLE INSPECTION UNIT C11740

OVERVIEW

The C11740 is a pinhole inspection unit specifically designed to detect pinholes in cans.

Internal components include a high-sensitivity optical sensor (photomultiplier tube) to detect even tiny pinholes with high speed and precision. Its specifications include a large photosensitive area and an excessive light protection circuit ideal for can pinhole detection tasks.

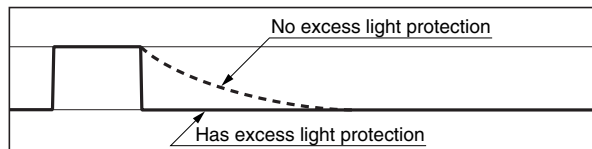
External control input/output on the C11740 allows easy setups for in-line inspections and other tasks.



FEATURES

- **Detection pinhole sizes : 10 μm** ①
- **Detection speed: 2400 holes / min**
- **Built-in excessive light protection circuit**
Effectively limits damage to detector even when excessive light enters it.

(Comparison with analog signal output)



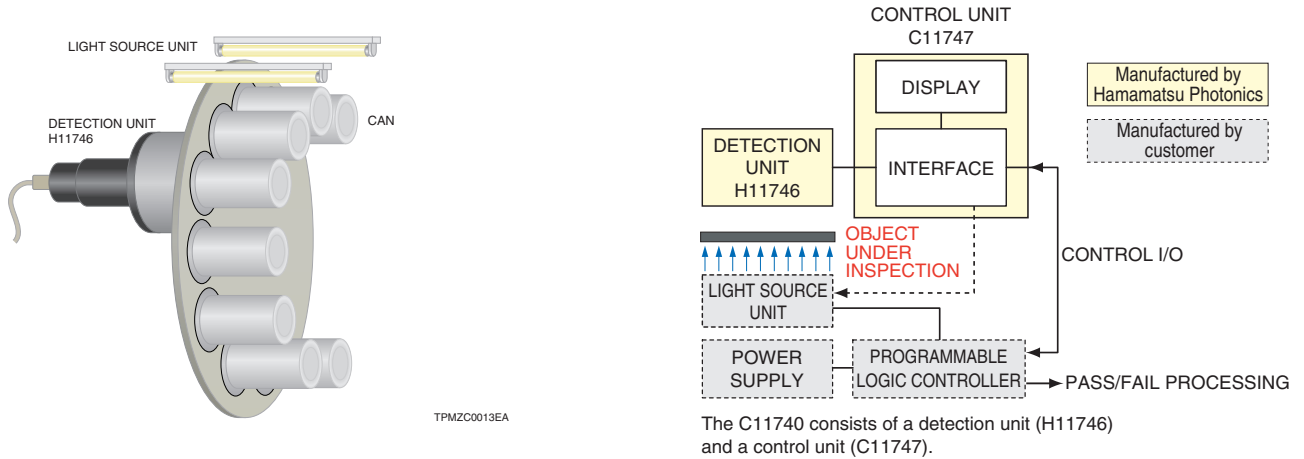
Vastly reduced signal trail

- **Pinhole judgment function** ② **gives pass/fail based on threshold (any required level)**
Detection sensitivity and pinhole judgment threshold are adjustable on front panel to any desired level.
- **Self-diagnostic function**
Evaluates detector operation to guarantee high-reliability inspections.

NOTE: ① Detectable pinhole size depends on can shape and irradiation light level.

② Cannot detect the number, size or position of pinholes.

DETECTION PRINCIPLE



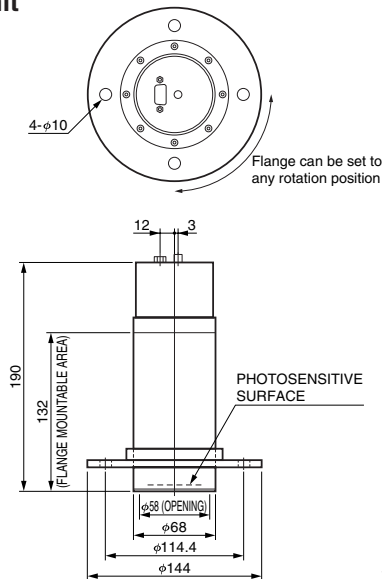
SPECIFICATIONS

Parameter	Description / Value
Detection pinhole size	10 μm *
Detection speed	2400 holes / min
Detector spectral response	450 nm to 480 nm
Photosensitive area size	$\phi 58$ mm
Input voltage (DC)	24 V
Power consumption	12 W
Operating ambient temperature	-10 $^{\circ}\text{C}$ to +45 $^{\circ}\text{C}$
Storage temperature	-20 $^{\circ}\text{C}$ to +50 $^{\circ}\text{C}$
Operating ambient / storage humidity range	35 % to 85 %RH (no condensation)
Applicable standard	IEC 61326-1 Group 1, Class A IEC 61010-1

NOTE: * Detectable pinhole size depends on can shape and irradiation light level.

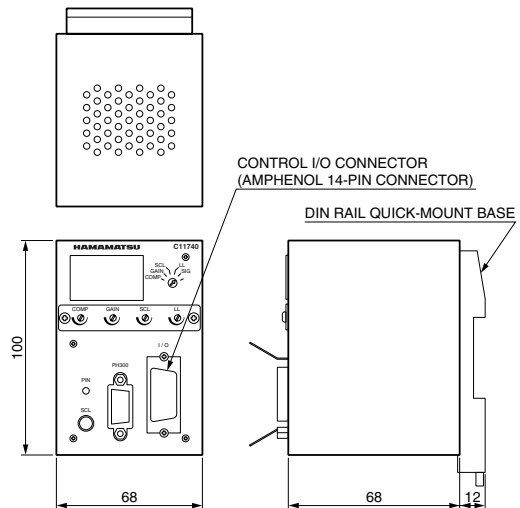
DIMENSIONAL OUTLINES (Unit: mm)

**Detection unit
H11746**



TPMZA0011EB

**Control unit
C11747**



TPMZA0012EA

HAMAMATSU PHOTONICS K.K. www.hamamatsu.com

HAMAMATSU PHOTONICS K.K., Electron Tube Division

314-5, Shimokanzo, Iwata City, Shizuoka Pref., 438-0193, Japan, Telephone: (81)539/62-5248, Fax: (81)539/62-2205

U.S.A.: Hamamatsu Corporation: 360 Foothill Road, Bridgewater, N.J. 08807-0910, U.S.A., Telephone: (1)908-231-0960, Fax: (1)908-231-1218 E-mail: usa@hamamatsu.com

Germany: Hamamatsu Photonics Deutschland GmbH: Arzbergerstr. 10, D-82211 Herrsching am Ammersee, Germany, Telephone: (49)8152-375-0, Fax: (49)8152-2658 E-mail: info@hamamatsu.de

France: Hamamatsu Photonics France S.A.R.L.: 19, Rue du Saule Trapu, Parc du Moulin de Massy, 91882 Massy Cedex, France, Telephone: (33)1 69 53 71 00, Fax: (33)1 69 53 71 10 E-mail: infos@hamamatsu.fr

United Kingdom: Hamamatsu Photonics UK Limited: 2 Howard Court, 10 Tewin Road, Welwyn Garden City, Hertfordshire AL7 1BW, United Kingdom, Telephone: (44)1707-294888, Fax: (44)1707-325777 E-mail: info@hamamatsu.co.uk

North Europe: Hamamatsu Photonics Norden AB: Torshamnsgatan 35 SE-164 40 Kista, Sweden, Telephone: (46)8-509-031-00, Fax: (46)8-509-031-01 E-mail: info@hamamatsu.se

Italy: Hamamatsu Photonics Italia S.r.l.: Strada della Moia, 1 int. 6, 20020 Arese (Milano), Italy, Telephone: (39)02-93581733, Fax: (39)02-93581741 E-mail: info@hamamatsu.it

China: Hamamatsu Photonics (China) Co., Ltd.: B1201 Jiaming Center, No.27 Dongshanwan Bellu, Chaoyang District, Beijing 100020, China, Telephone: (86)10-6586-6006, Fax: (86)10-6586-2866 E-mail: hpc@hamamatsu.com.cn

TPMZ1008E02
NOV. 2015 IP