

# OPTICAL POWER MONITORING

# UV POWER METERS

---

## C6080 SERIES

**Ideal for Measuring UV Intensity of UV-LED Light Sources (365 nm, 385 nm) !**

### OVERVIEW

The C6080 is a compact handy UV power meter designed to measure UV intensity of UV-LED light sources. It is easy to carry around and operate, and so can be easily used for daily check.

The C6080 shows almost no deterioration in its sensitivity even after exposed to UV light, making it possible to make measurements with high repeatability.

### FEATURES

- Compact and lightweight
- Excellent accuracy
- Absolute value display of UV intensity (mW/cm<sup>2</sup>)
- Easy-to-read digital display
- Sensor head isolated from display unit allows flexible measurement.
- 200-hours continuous operation by 9 V battery (006P)
- External output (analog output)

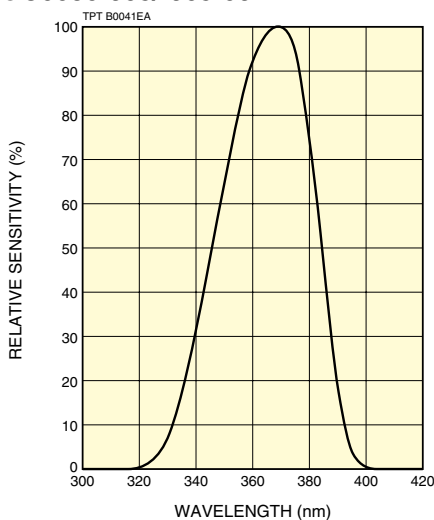


### APPLICATIONS

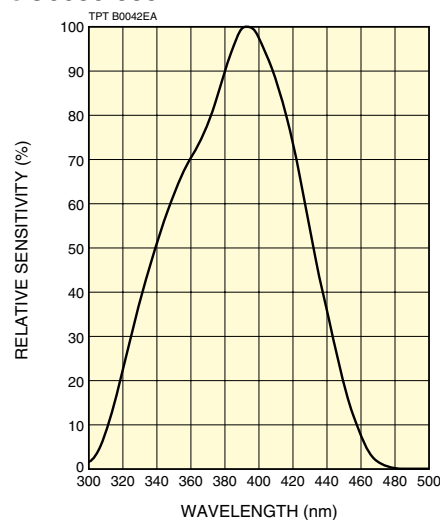
- UV intensity measurement of UV curing and UV ink light sources
- UV intensity measurement of various UV-LED light sources

### SPECTRAL RESPONSE CHARACTERISTICS

#### ● C6080-365/-365-03



#### ● C6080-385



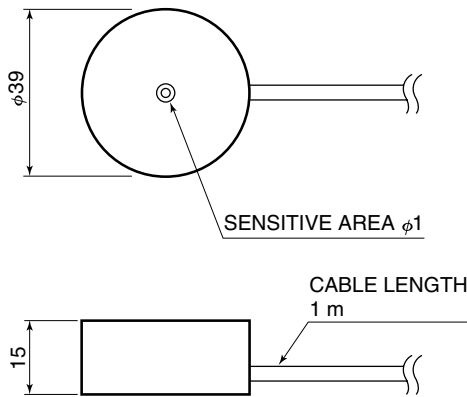
# SPECIFICATIONS

Parameter		C6080-365	C6080-365-03	C6080-385	Unit
Sensitive Wavelength Range		320 to 400		300 to 470	nm
Calibrated Wavelength		365		385	nm
Sensitive Area		$\phi 1$			mm
Optical Power Measurement Range*	SENS.LO	10 to 19,990	1 to 1,999	10 to 19,990	mW/cm <sup>2</sup>
	SENS.HI	1 to 1,999	0.1 to 199.9	1 to 1,999	mW/cm <sup>2</sup>
Display		3-1/2 digits Liquid crystal digital display			—
Sampling Interval		2.5			time/s
External Output (analog)		1.000 V per liquid crystal display "1000"			—
Operating Ambient Temperature / Humidity		0 °C to +35 °C / Below 80 % (no condensation)			—
Storage Temperature / Humidity		-10 °C to +50 °C / Below 80 % (no condensation)			—
Power Requirement		9 V battery (006P) 1 piece			—
Current Consumption (Max.)		2			mA
Weight	Display Unit (including battery)	200			g
	Sensor Head (including cable)	80			g
Carrying Case Size (W × H × D)		330 × 230 × 70			mm

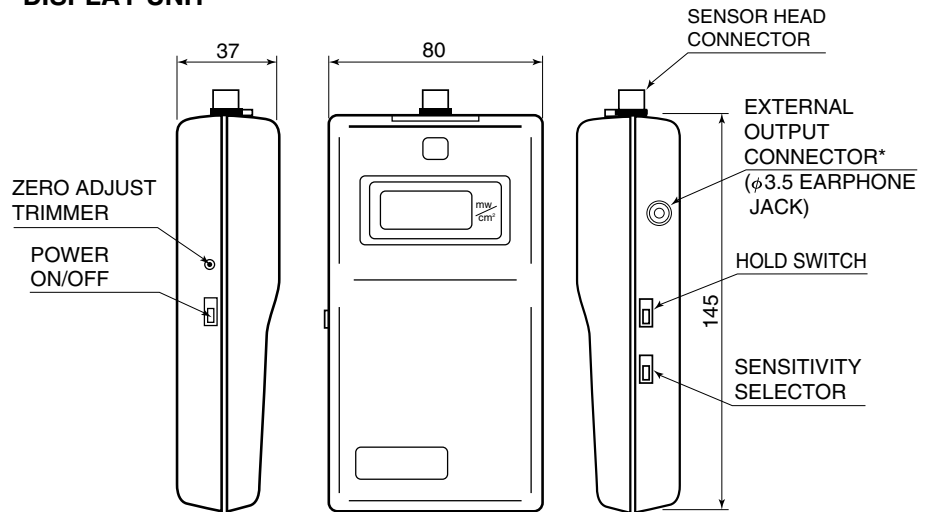
\* Since the C6080 is calibrated using its sensitivity wavelengths, the display value may differ when measuring a light source whose spectrum differs from the sensitivity wavelengths.  
To maintain the reliability of the calibration values, it is recommended to calibrate the C6080 once a year.

# DIMENSIONAL OUTLINES (Unit: mm)

## SENSOR HEAD



## DISPLAY UNIT



\* External output connector plug: MP-106PC (Marushin electric mfg.) or equivalent

TPT A0049EA

Subject to local technical requirements and regulations, availability of products included in this promotional material may vary. Please consult with our sales office.  
Information furnished by HAMAMATSU is believed to be reliable. However, no responsibility is assumed for possible inaccuracies or omissions. Specifications are subject to change without notice. No patent rights are granted to any of the circuits described herein. ©2011 Hamamatsu Photonics K.K.

## HAMAMATSU PHOTONICS K.K. [www.hamamatsu.com](http://www.hamamatsu.com)

### HAMAMATSU PHOTONICS K.K., Electron Tube Division

314-5, Shimokanzo, Iwata City, Shizuoka Pref., 438-0193, Japan, Telephone: (81)539/62-5248, Fax: (81)539/62-2205

U.S.A.: Hamamatsu Corporation, 360 Foothill Road, Bridgewater, N.J. 08807-0910, U.S.A., Telephone: (1)908-231-0960, Fax: (1)908-231-1218 E-mail: [usa@hamamatsu.com](mailto:usa@hamamatsu.com)

Germany: Hamamatsu Photonics Deutschland GmbH, Arzbergerstr. 10, D-82211 Herrsching am Ammersee, Germany, Telephone: (49)8152-375-0, Fax: (49)8152-2658 E-mail: [info@hamamatsu.de](mailto:info@hamamatsu.de)

France: Hamamatsu Photonics France S.A.R.L.: 19, Rue du Saule Trapu, Parc du Moulin de Massy, 91882 Massy Cedex, France, Telephone: (33)1 69 53 71 00, Fax: (33)1 69 53 71 10 E-mail: [infos@hamamatsu.fr](mailto:infos@hamamatsu.fr)

United Kingdom: Hamamatsu Photonics UK Limited, 2 Howard Court, 10 Tewin Road, Welwyn Garden City, Hertfordshire AL7 1BW, United Kingdom, Telephone: (44)1707-294888, Fax: (44)1707-325777 E-mail: [info@hamamatsu.co.uk](mailto:info@hamamatsu.co.uk)

North Europe: Hamamatsu Photonics Norden AB: Torshamnsgatan 35 SE-164 40 Kista, Sweden, Telephone: (46)8-509-031-00, Fax: (46)8-509-031-01 E-mail: [info@hamamatsu.se](mailto:info@hamamatsu.se)

Italy: Hamamatsu Photonics Italia S.r.l.: Strada della Moia, 1 int. 6, 20020 Arese (Milano), Italy, Telephone: (39)02-93581733, Fax: (39)02-93581741 E-mail: [info@hamamatsu.it](mailto:info@hamamatsu.it)

China: Hamamatsu Photonics (China) Co., Ltd.: B1201 Jiaming Center, No.27 Dongsanhuan Beilu, Chaoyang District, Beijing 100020, China, Telephone: (86)10-6586-6006, Fax: (86)10-6586-2866 E-mail: [hpc@hamamatsu.com.cn](mailto:hpc@hamamatsu.com.cn)

TLSZ1013E02  
SEPT. 2011 IP