

The C7169 and C10709 are the power supply units which can be used for various photomultiplier tube (PMT) modules produced by Hamamatsu. These units can provide both the driving voltage and the control voltage.



SPECIFICATIONS

Type No.		C7169	C10709	Unit
Output voltage		±15	±5	V
Max. output current		0.3 (+15 V), 0.2 (-15 V)	2.0 (+5 V), 0.2 (-5 V)	A
Control voltage (variable voltage range) *1		+0.25 to +1.8		V
AC input voltage		AC100 to AC240		V
Input power frequency		50 / 60		Hz
Max. current consumption		0.5		A
Terminal connection method		Binding post		—
Operating ambient temperature *2		+5 to +50		°C
Storage temperature *2		-20 to +50		°C
Environmental		In door use, upto 2000 m altitude		—
Approved standards	Safety	EN61010-1: 2010 Overvoltage category 2 Pollution level 2		—
	EMC	EN61326-1: 2006 Group 1, Class A		—
Weight		1.2		kg

*1: Adjust within the recommended control voltage range for the photomultiplier tube module being used.

*2: No condensation

*Supplied: AC line cable

APPLICABLE PMT MODULES

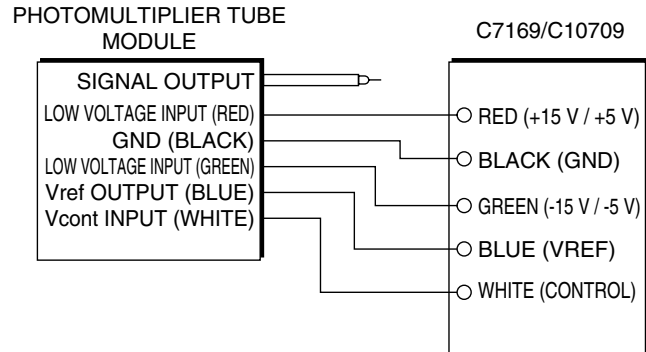
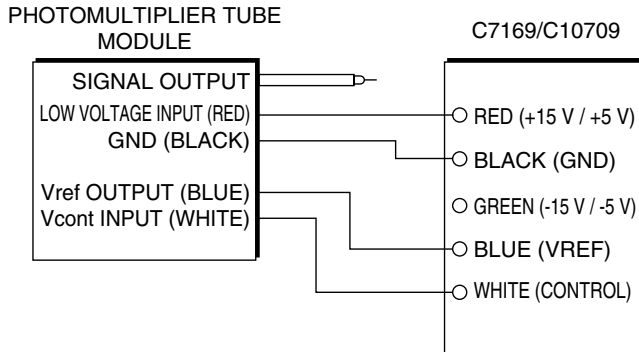
Power supply Type No.	Photomultiplier tube module Type No.	Output signal
C7169	H7826, H7844, H9305, H10425, H10426 H11411, H11526, H11706, H11900, H11901	Current output
	H7827, H9306, H9307 H10492, H10493, H11902, H11903	Voltage output
C10709	H10720, H10721, H11432, H11461 H12056, H12402, H12403, H13320	Current output
	H10722, H10723, H11462	Voltage output

POWER SUPPLIES FOR PHOTOMULTIPLIER TUBE MODULES C7169/C10709

CONNECTION DIAGRAMS

Current output type photomultiplier tube module

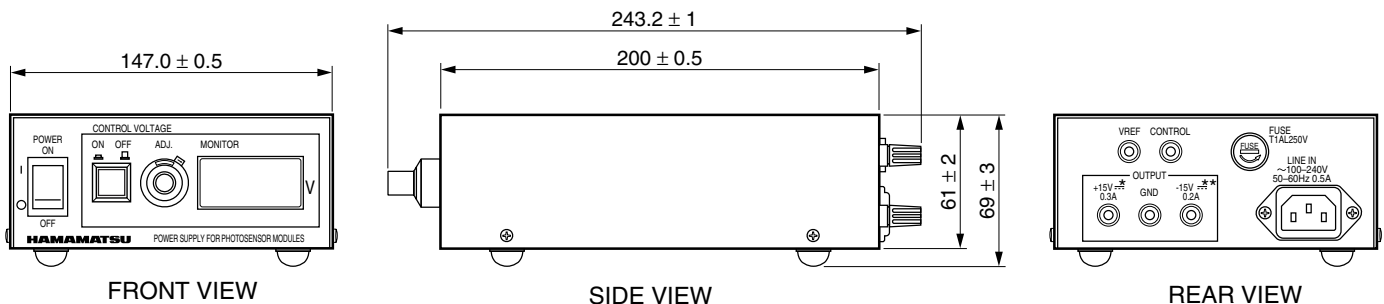
Voltage output type photomultiplier tube module



* The connection of the unit and the photomultiplier tube module must be made while the unit power is "OFF". Please make proper wiring connection otherwise the photomultiplier tube module may be damaged.

TACCC0113ED

DIMENSIONAL OUTLINE (Unit: mm)



* +5V $\overline{\text{---}}$ 2.0A for C10709
 ** -5V $\overline{\text{---}}$ 0.2A for C10709

TACCA0186ED

HAMAMATSU PHOTONICS K.K.

HAMAMATSU PHOTONICS K.K., Electron Tube Division

314-5, Shimokanzo, Iwata City, Shizuoka Pref., 438-0193, Japan, Telephone: (81)539/62-5248, Fax: (81)539/62-2205

U.S.A.: Hamamatsu Corporation: 360 Foothill Road, Bridgewater, N.J. 08807-0910, U.S.A., Telephone: (1)908-231-0960, Fax: (1)908-231-1218 E-mail: usa@hamamatsu.com

Germany: Hamamatsu Photonics Deutschland GmbH: Arzbergerstr. 10, D-82211 Herrsching am Ammersee, Germany, Telephone: (49)8152-375-0, Fax: (49)8152-2658 E-mail: info@hamamatsu.de

France: Hamamatsu Photonics France S.A.R.L.: 19, Rue du Saule Trapu, Parc du Moulin de Massy, 91882 Massy Cedex, France, Telephone: (33)1 69 53 71 00, Fax: (33)1 69 53 71 10 E-mail: infos@hamamatsu.fr

United Kingdom: Hamamatsu Photonics UK Limited: 2 Howard Court, 10 Tewin Road, Welwyn Garden City, Hertfordshire AL7 1BW, United Kingdom, Telephone: (44)1707-294888, Fax: (44)1707-325777 E-mail: info@hamamatsu.co.uk

North Europe: Hamamatsu Photonics Norden AB: Torshamsgatan 35 SE-164 40 Kista, Sweden, Telephone: (46)8-509-031-00, Fax: (46)8-509-031-01 E-mail: info@hamamatsu.se

Italy: Hamamatsu Photonics Italia S.r.l.: Strada della Moia, 1 int. 6, 20020 Arese (Milano), Italy, Telephone: (39)02-93581733, Fax: (39)02-93581741 E-mail: info@hamamatsu.it

China: Hamamatsu Photonics (China) Co., Ltd.: B1201 Jiaming Center, No.27 Dongsanhuan Beilu, Chaoyang District, Beijing 100020, China, Telephone: (86)10-6586-6006, Fax: (86)10-6586-2866 E-mail: hpc@hamamatsu.com.cn

Taiwan: Hamamatsu Photonics Taiwan Co., Ltd.: 8F-3, No.158, Section2, Gongdao 5th Road, East District, Hsinchu, 300, Taiwan R.O.C. Telephone: (886)03-659-0080, Fax: (886)07-811-7238 E-mail: info@tw.hpk.co.jp

TACC1049E03
 JUL. 2016 IP