

NEW

X-RAY I.I. CAMERA UNIT SERIES

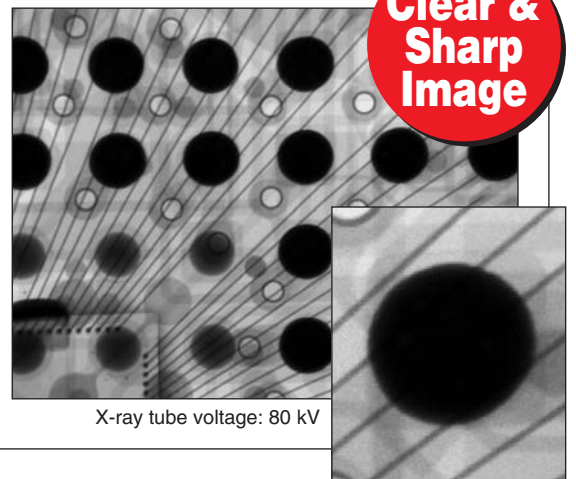
C7336-06/-07



OVERVIEW

Camera units C7336-06/-07 consist of a high resolution, high contrast 4-inch X-ray image intensifier (X-ray I.I.) and a 2.35 mega-pixel or 3 mega-pixel CMOS image sensor respectively. The X-ray I.I. has an input window made of thin aluminum which is excellent in X-ray transmission and causes less scattering of X-rays. These features allow real-time detection at X-ray energy levels from about 20 keV. The captured images can be transferred to PC directly by interface of Mini CameraLink or USB3.0.

■ BGA (Ball Grid Array)



FEATURES

- Digital output
- High resolution, high contrast
- High-speed readout
- Low noise
- Low distortion

APPLICATIONS

- X-ray imaging equipment
- Industrial X-ray CT scanner
- In-line X-ray inspection system

[Suitable samples]

- Electronic parts
- Metallic parts
- Beverage products
- Printed circuit boards
- Food products
- Pharmaceuticals
- Resin parts

HAMAMATSU

PHOTON IS OUR BUSINESS

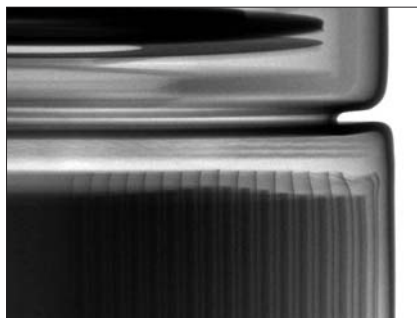
SPECIFICATIONS

Parameter		C7336-06		C7336-07		Unit
Input window material / thickness		Aluminum / 0.5 mm				—
Input phosphor		CsI				—
Output phosphor		P43				—
Imaging area (H × V) (on input surface) Typ.		75 × 48		72 × 54		mm
Resolution (on input surface) Typ.		80				Lp/cm
Digital camera section	Imaging device	CMOS image sensor (global shutter)				—
		GO-2400M-PMCL/JAI		C13752-50U/HPK		
	Number of effective pixels (H × V)	1936 × 1216		2048 × 1544		—
	Pixel size (H × V)	5.86 × 5.86		3.45 × 3.45		μm
	Frame rate	127	165	65		frames/s
	Video output	12	10	8	12	bit
	Power supply voltage (DC)	12 to 24 (12 V ± 1 V DC via PoCL)		8 to 30 (Bus power)		V
	Interface connector	CameraLink (Ver. 2.0) Mini CameraLink connector		USB 3.0 USB 3.0 micro B type connector		—
Input voltage		AC100 V to 240 V (50 Hz / 60 Hz)				—
Power consumption		10				VA
Operating ambient temperature		+10 to +40				°C
Storage temperature		-10 to +45				°C
Operating and storage humidity		Below 70 % (no condensation)				—
Weight	Head	Approx. 8				kg
	DC24 V power supply	Approx. 0.5				kg

IMAGING EXAMPLES

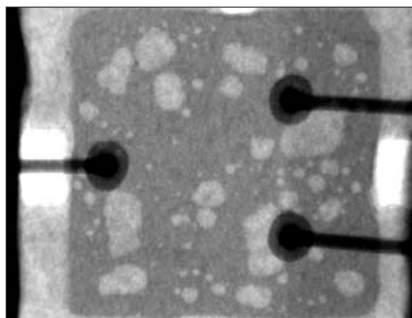
■ Lithium ion battery

X-ray tube voltage: 100 kV

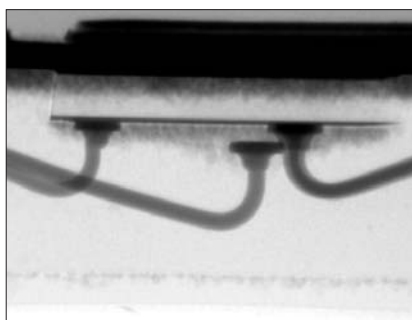


■ LED

X-ray tube voltage: 90 kV



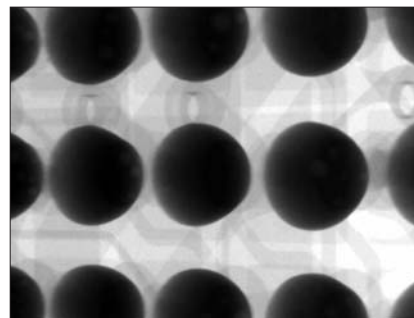
▲Top view



▲Side view

■ BGA

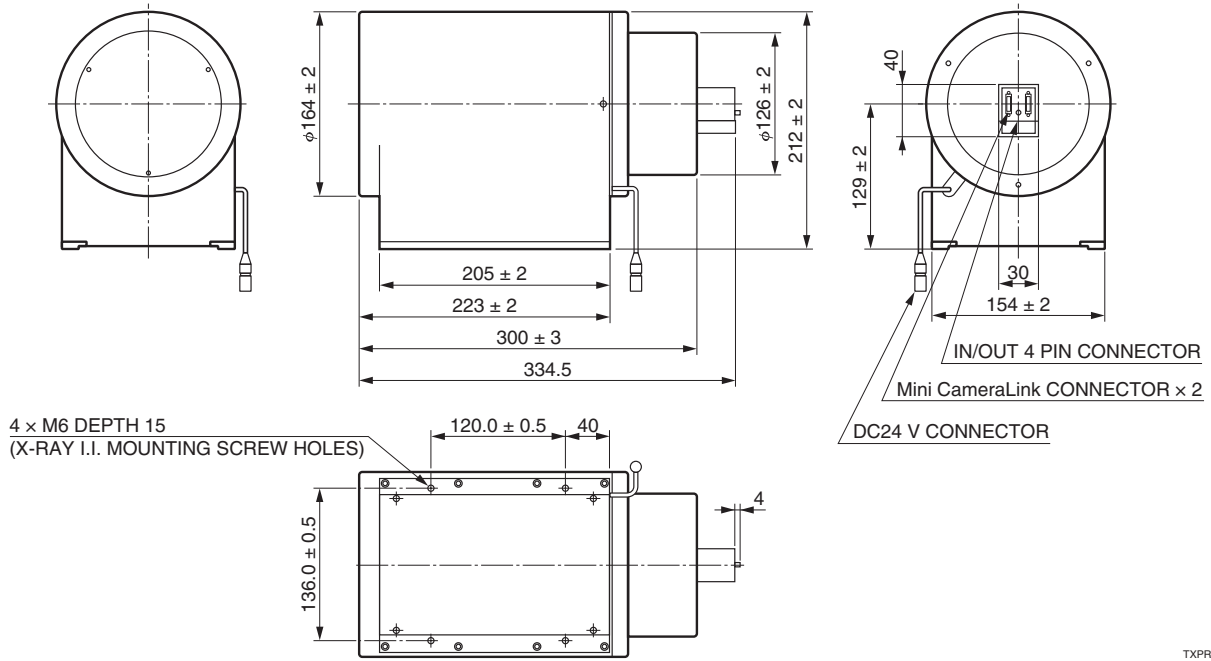
X-ray tube voltage: 130 kV



DIMENSIONAL OUTLINES (Unit: mm)

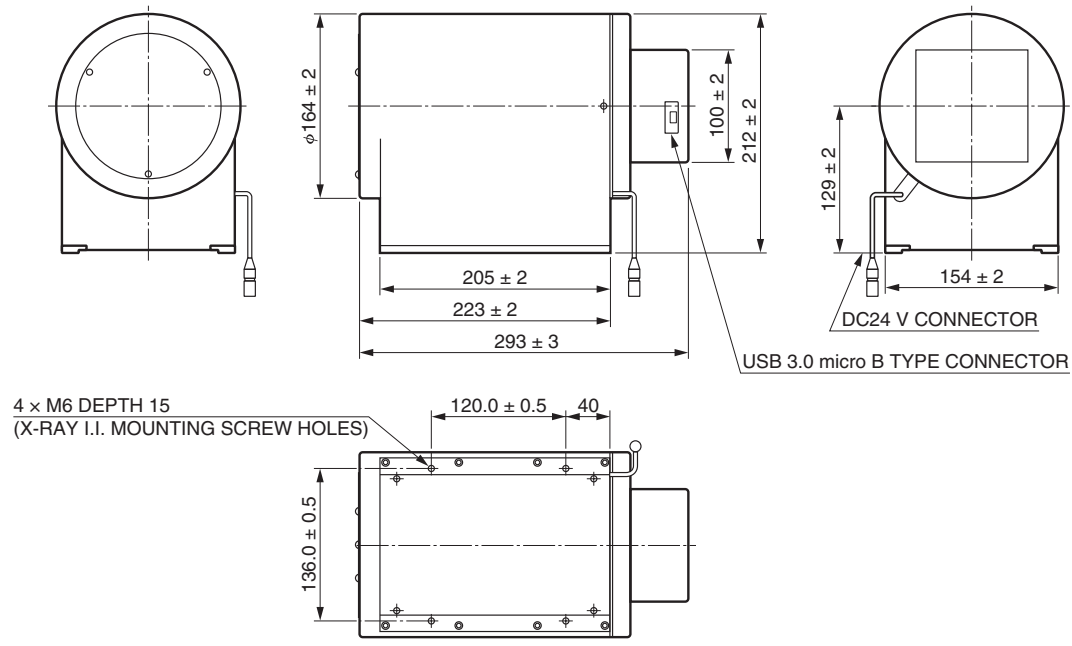
Head

●C7336-06



TXPRA0032EB

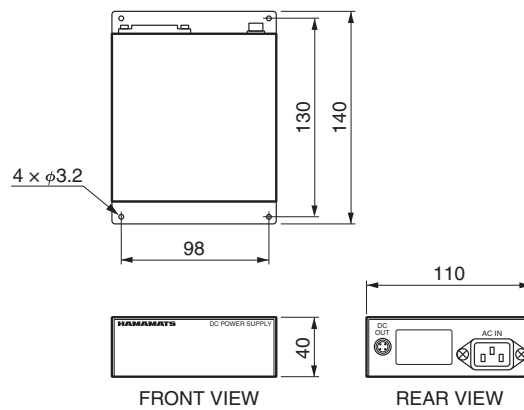
●C7336-07



TXPRA0010EE

24 V DC Power Supply

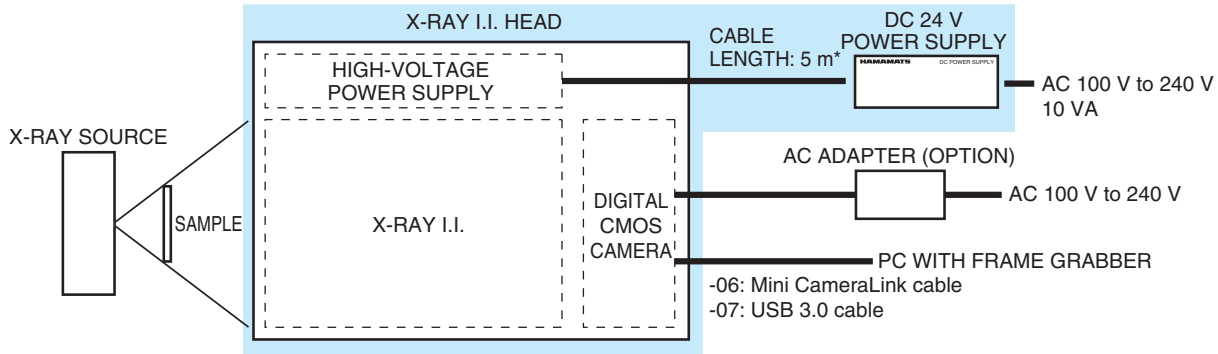
●C7336-06/-07



TXPRA0020EC

CONFIGURATION

Unit Configuration: **X-ray I.I. Head** + **DC 24 V Power Supply for X-ray I.I.**



- * 10 m cable is also available.
- Beryllium window type X-ray I.I. is also available.
- 4-2 inch zoom type window is also available.

CONFIGURATION

TXPRC0006EE

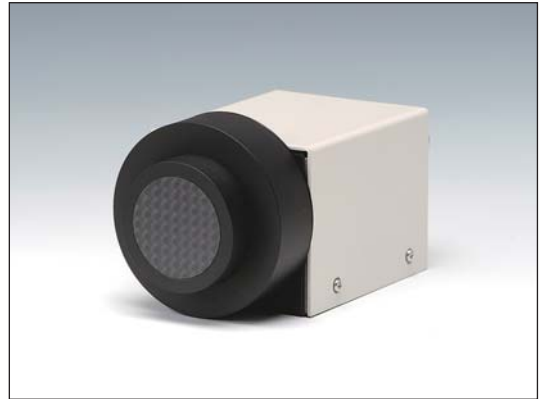
RELATED PRODUCTS

X-CUBE™ compact X-ray CCD cameras

X-CUBE is a compact X-ray CCD camera designed for nondestructive inspection. Using a general-purpose CCD chip mounted in a rugged but lightweight camera head, X-CUBE makes X-ray imaging as easy as handling ordinary CCD cameras.

FEATURES

- High sensitivity
- Compact
- Low power consumption



Subject to local technical requirements and regulations, availability of products included in this promotional material may vary. Please consult with our sales office. Information furnished by HAMAMATSU is believed to be reliable. However, no responsibility is assumed for possible inaccuracies or omissions. Specifications are subject to change without notice. No patent rights are granted to any of the circuits described herein. ©2018 Hamamatsu Photonics K.K.

HAMAMATSU PHOTONICS K.K. www.hamamatsu.com

HAMAMATSU PHOTONICS K.K., Electron Tube Division

314-5, Shimokanzo, Iwata City, Shizuoka Pref., 438-0193, Japan, Telephone: (81)539/62-5248, Fax: (81)539/62-2205

U.S.A.: Hamamatsu Corporation: 360 Foothill Road, Bridgewater, NJ 08807, U.S.A., Telephone: (1)908-231-0960, Fax: (1)908-231-1218 E-mail: usa@hamamatsu.com

Germany: Hamamatsu Photonics Deutschland GmbH: Arzbergerstr. 10, D-82211 Herrsching am Ammersee, Germany, Telephone: (49)8152-375-0, Fax: (49)8152-265-8 E-mail: info@hamamatsu.de

France: Hamamatsu Photonics France S.A.R.L.: 19, Rue du Saule Trapu, Parc du Moulin de Massy, 91882 Massy Cedex, France, Telephone: (33)1 69 53 71 00, Fax: (33)1 69 53 71 10 E-mail: infos@hamamatsu.fr

United Kingdom: Hamamatsu Photonics UK Limited: 2 Howard Court, 10 Tewin Road, Welwyn Garden City, Hertfordshire AL7 1BW, UK, Telephone: (44)1707-294888, Fax: (44)1707-325777 E-mail: info@hamamatsu.co.uk

North Europe: Hamamatsu Photonics Norden AB: Torshamnsgatan 35 16440 Kista, Sweden, Telephone: (46)8-509 031 00, Fax: (46)8-509 031 01 E-mail: info@hamamatsu.se

Italy: Hamamatsu Photonics Italia S.r.l.: Strada della Moia, 1 int. 6, 20020 Arese (Milano), Italy, Telephone: (39)02-93 58 17 33, Fax: (39)02-93 58 17 41 E-mail: info@hamamatsu.it

China: Hamamatsu Photonics (China) Co., Ltd.: 1201 Tower B, Jiaming Center, 27 Dongsanhuan Beilu, Chaoyang District, 100020 Beijing, China, Telephone: (86)10-6586-6006, Fax: (86)10-6586-2866 E-mail: hpc@hamamatsu.com.cn

Taiwan: Hamamatsu Photonics Taiwan Co., Ltd.: 8F-3, No.158, Section2, Gongdao 5th Road, East District, Hsinchu, 300, Taiwan R.O.C. Telephone: (886)03-659-0080, Fax: (886)03-659-0081 E-mail: info@hamamatsu.com.tw

TXPR1030E01
JUL. 2018 IP