

The output signal from a photomultiplier tube can be directly input to the C9999-01 and it provides a voltage output signal with 50 Ω load at a conversion factor of 10 mV/μA.

The C9999-01 has a selecting switch to get the amplified non-inverting / inverting output.

### FEATURES

- Wide bandwidth: DC to 10 MHz
- Current-to-voltage conversion factor:  
10 mV/μA at 50 Ω load resistance
- Non-inverting / Inverting output switchable
- Rise time: 35 ns (Typ.)
- Compact, light weight

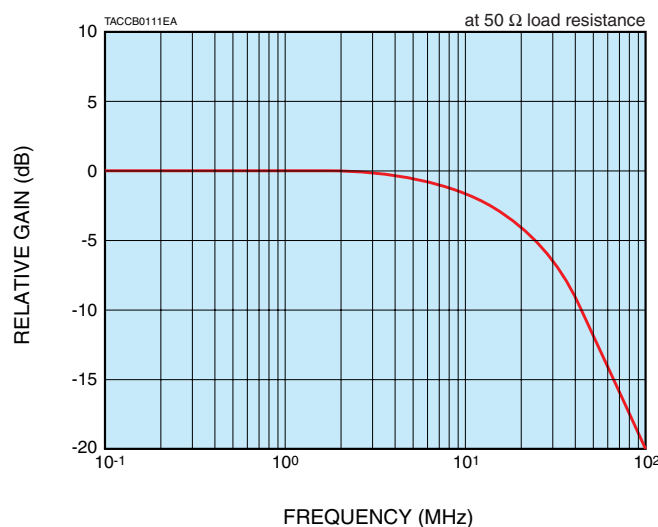


### SPECIFICATIONS

Parameter		Description / Value
Frequency bandwidth (-3 dB)		DC to 10 MHz
Voltage gain <sup>Ⓐ</sup>		46 dB ± 2 dB (Approx. 200 times)
Current-to-voltage conversion factor	Load resistance: 1 MΩ	20 mV/μA
	Load resistance: 50 Ω	10 mV/μA
Rise time	Typ.	35 ns
Input polarity		Positive / Negative
Amplifying method		Non-inverting / Inverting output <sup>Ⓑ</sup>
Input impedance		50 Ω
Recommended load resistance		50 Ω
Maximum output signal voltage	Load resistance: 1 MΩ	±3.0 V Min.
	Load resistance: 50 Ω	±1.3 V Min.
Output offset voltage <sup>Ⓐ</sup>	Typ.	±1 mV
Output noise voltage <sup>Ⓐ</sup>	Max.	2 mV rms
Connector	Input	BNC-R
	Output	BNC-R
	Power	DIN (6-pin)
Power supply voltage		±5 V
Max. power supply voltage		±6.5 V
Power supply current	Max.	±140 mA
Operating temperature		0 °C to +40 °C
Storage temperature		-10 °C to +60 °C
Weight		Approx. 165 g

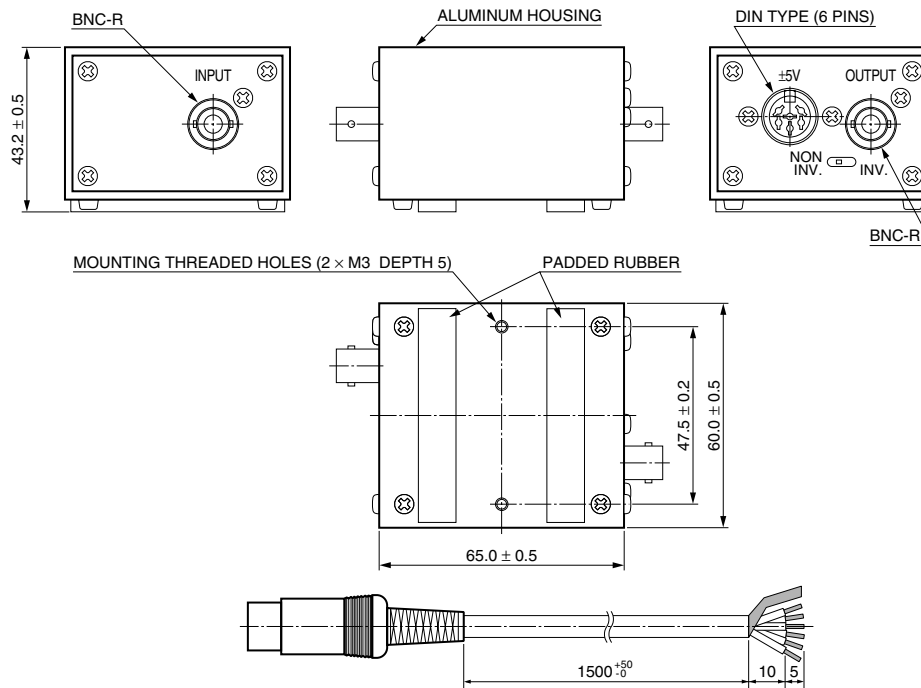
**NOTE:** <sup>Ⓐ</sup>Load resistance: 50 Ω    <sup>Ⓑ</sup>Switchable

Figure 1: Typical frequency response



# AMPLIFIER UNIT C9999-01

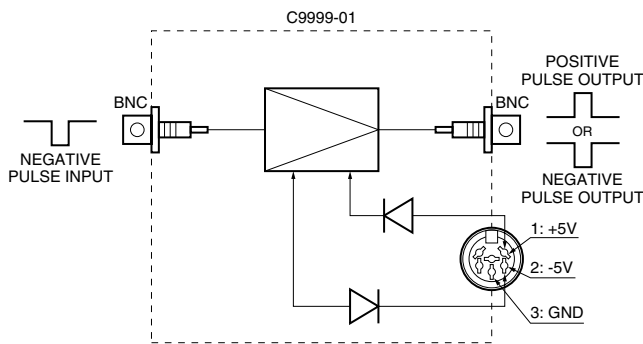
Figure 2: Dimensional outline (Unit: mm)



\* Power cable with connector (6 pin DIN type) is supplied with the C9999-01.

TACCA0321EB

Figure 3: Internal connection diagram



TACCC0163EA

CONNECTOR PIN	WIRE COLOR	CONNECTION
1	Red	+5 V
2	White	-5 V
3	Yellow	GND
4	Blue	—
5	Green	—
6	Black	—
External conductor	Shield	GND

## RELATED PRODUCTS

### AMPLIFIER UNITS SELECTION GUIDE

Parameter	C7319	C12419	C9999 C9999-01	C6438 C6438-01 C6438-02	C9663	C11184	C5594
Frequency bandwidth (-3 dB)	DC to 20 kHz or DC to 200 kHz (switchable)	DC to 1 MHz	DC to 10 MHz	DC to 50 MHz	DC to 150 MHz	DC to 300 MHz	50 kHz to 1.5 GHz
Current-to-voltage conversion factor (Load resistance: 50 Ω)	-0.1 V/μA -1 V/μA, -10 V/μA (switchable) *	-1 V/μA **	+50 mV/μA (C9999) ±10 mV/μA (C9999-01)	+0.5 mV/μA (C6438) +25 mV/μA (C6438-01) ±5 mV/μA (C6438-02)	+4 mV/μA	+1.25 mV/μA	+3.15 mV/μA

\* Load resistance: 10 kΩ

\*\* Load resistance: 1kΩ

Refer to the individual catalogs for detailed information.

## HAMAMATSU PHOTONICS K.K. [www.hamamatsu.com](http://www.hamamatsu.com)

HAMAMATSU PHOTONICS K.K., Electron Tube Division

314-5, Shimokanzo, Iwata City, Shizuoka Pref., 438-0193, Japan, Telephone: (81)539/62-5248, Fax: (81)539/62-2205

U.S.A.: Hamamatsu Corporation: 360 Foothill Road, Bridgewater, N.J. 08807-0910, U.S.A., Telephone: (1)908-231-0960, Fax: (1)908-231-1218 E-mail: usa@hamamatsu.com

Germany: Hamamatsu Photonics Deutschland GmbH: Arzbergerstr. 10, D-82211 Herrsching am Ammersee, Germany, Telephone: (49)8152-375-0, Fax: (49)8152-2658 E-mail: info@hamamatsu.de

France: Hamamatsu Photonics France S.A.R.L.: 19, Rue du Saule Trapu, Parc du Moulin de Massy, 91882 Massy Cedex, France, Telephone: (33)1 69 53 71 00, Fax: (33)1 69 53 71 10 E-mail: infos@hamamatsu.fr

United Kingdom: Hamamatsu Photonics UK Limited: 2 Howard Court, 10 Tewin Road, Welwyn Garden City, Hertfordshire AL7 1BW, United Kingdom, Telephone: (44)1707-294888, Fax: (44)1707-325777 E-mail: info@hamamatsu.co.uk

North Europe: Hamamatsu Photonics Norden AB: Torshamnsgatan 35 SE-164 40 Kista, Sweden, Telephone: (46)8-509-031-00, Fax: (46)8-509-031-01 E-mail: info@hamamatsu.se

Italy: Hamamatsu Photonics Italia S.r.l.: Strada della Moia, 1 int. 6, 20020 Arese (Milano), Italy, Telephone: (39)02-93581733, Fax: (39)02-93581741 E-mail: info@hamamatsu.it

China: Hamamatsu Photonics (China) Co., Ltd.: B1201 Jianning Center, No.27 Dongsanhuan Beilu, Chaoyang District, Beijing 100020, China, Telephone: (86)10-6586-6006, Fax: (86)10-6586-2866 E-mail: hpc@hamamatsu.com.cn

Taiwan: Hamamatsu Photonics Taiwan Co., Ltd.: 8F-3, No.158, Section2, Gongdao 5th Road, East District, Hsinchu, 300, Taiwan R.O.C. Telephone: (886)03-659-0080, Fax: (886)07-811-7238 E-mail: info@tw.hpk.co.jp

TACC1062E03  
MAR. 2017 IP