

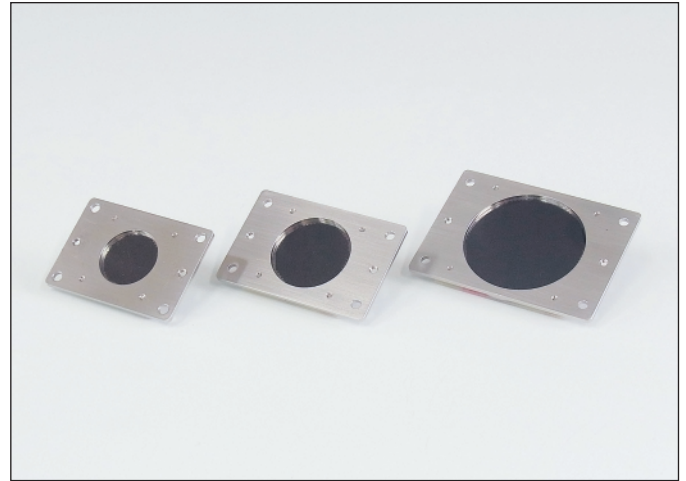
MCP

COMPACT MCP ASSEMBLY SERIES

F12334-11, F12395-11, F12396-11

FEATURES

- **Easy replacement**
2 wiring connections (HV and signal)
- **Suitable installation**
- **Robust MCP**
- **Compact and thin**
- **3 choices of effective area**
F12334-11: $\phi 20$ mm
F12395-11: $\phi 27$ mm
F12396-11: $\phi 42$ mm



Left: F12334-11, center: F12395-11, right: F12396-11

OVERVIEW

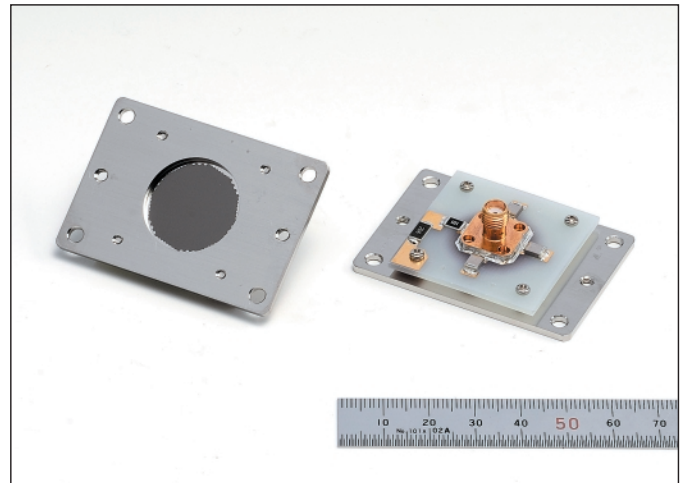
This assembly has enough time response characteristic for TOF (Time Of Flight) measurement and is useful for ion, X-ray or VUV-light detections.

Thin and flat shape makes it possible to install into the minimum space which is usually required from the viewpoint of mechanical design.

Furthermore, only 2-point electric wiring enables you to install and replace this assembly quite easily.

Custom assembly is also available. Please consult us about the suitable design for your need.

(optimum size, shape, installation, connection etc.)



F12334-11

SPECIFICATIONS

GENERAL

Parameter	F12334-11	F12395-11	F12396-11	Unit
MCP Channel Diameter	12			μm
Bias Angle	12			degree
Effective Area	φ20	φ27	φ42	mm
Number of MCPs	2			—
Weight	32.7	37.2	49.7	g

ELECTRICAL CHARACTERISTICS (Vacuum: 1.3×10^{-4} Pa, at +25 °C)

Parameter	F12334-11	F12395-11	F12396-11	Unit
Gain (Min.) [Ⓐ]	1×10^6			—
Resistance (Typ.) [Ⓐ]	20 to 80	15 to 60	10 to 40	MΩ
Dark Count (Max.) [Ⓐ]	3			s ⁻¹ ·cm ⁻²
Pulse Width (FWHM) (Typ.)	1.5			ns

NOTE: [Ⓐ]At HV: -2.1 kV

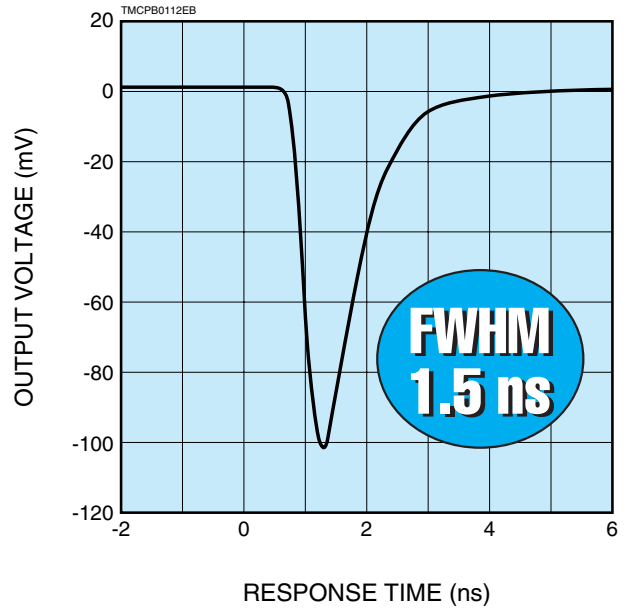
MAXIMUM RATINGS

Parameter	F12334-11	F12395-11	F12396-11	Unit
HV – SUBSTRATE	2.1			kV
Electric Potential at Each Terminal	HV: -2.1 Signal: GND			kV
Operating Vacuum Condition	1.3×10^{-4} [Ⓑ]			Pa
Ambient Operating Temperature	0 to +50 [Ⓒ]			°C

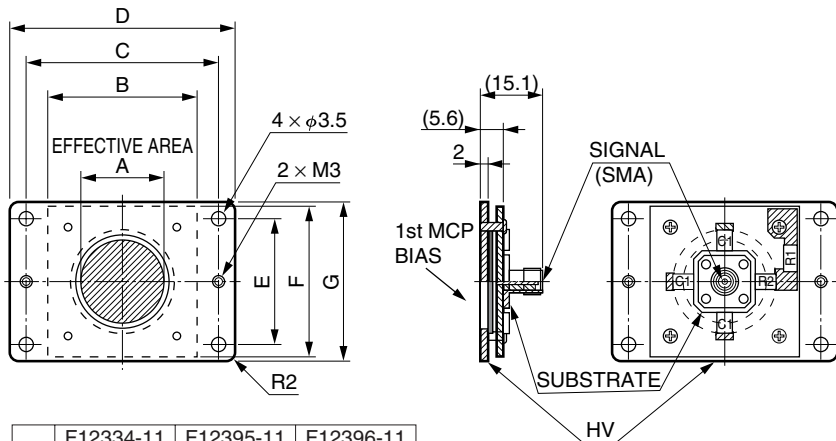
NOTE: [Ⓑ]Better vacuum than 1.3×10^{-4} Pa

[Ⓒ]Not allowed to be baked.

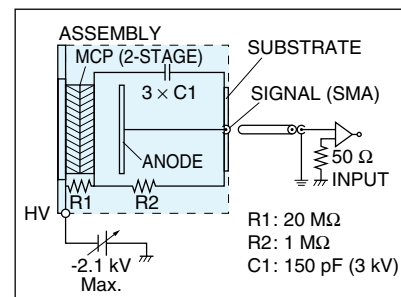
OUTPUT WAVELENGTH (F12334-11)



DIMENSIONAL OUTLINES (Unit: mm)



WIRING EXAMPLE



	F12334-11	F12395-11	F12396-11
A	20	27	42
B	36	40	51
C	46	51	62
D	54	61	72
E	30	30	40
F	36	40	51
G	38	41	52

TMCPA0084EC

Subject to local technical requirements and regulations, availability of products included in this promotional material may vary. Please consult with our sales office. Information furnished by HAMAMATSU is believed to be reliable. However, no responsibility is assumed for possible inaccuracies or omissions. Specifications are subject to change without notice. No patent rights are granted to any of the circuits described herein. ©2015 Hamamatsu Photonics K.K.

HAMAMATSU PHOTONICS K.K. www.hamamatsu.com

HAMAMATSU PHOTONICS K.K., Electron Tube Division

314-5, Shimokanzo, Iwata City, Shizuoka Pref., 438-0193, Japan, Telephone: (81)539/62-5248, Fax: (81)539/62-2205

U.S.A.: Hamamatsu Corporation, 360 Foothill Road, Bridgewater, N.J. 08807-0910, U.S.A., Telephone: (1)908-231-0960, Fax: (1)908-231-1218 E-mail: usa@hamamatsu.com

Germany: Hamamatsu Photonics Deutschland GmbH, Arzbergerstr. 10, D-82211 Herrsching am Ammersee, Germany, Telephone: (49)8152-375-0, Fax: (49)8152-2658 E-mail: info@hamamatsu.de

France: Hamamatsu Photonics France S.A.R.L.: 19, Rue du Saule Trapu, Parc du Moulin de Massy, 91882 Massy Cedex, France, Telephone: (33)1 69 53 71 00, Fax: (33)1 69 53 71 10 E-mail: infos@hamamatsu.fr

United Kingdom: Hamamatsu Photonics UK Limited, 2 Howard Court, 10 Tewin Road, Welwyn Garden City, Hertfordshire AL7 1BW, United Kingdom, Telephone: (44)1707-294888, Fax: (44)1707-325777 E-mail: info@hamamatsu.co.uk

North Europe: Hamamatsu Photonics Norden AB: Torshamnsgatan 35 SE-164 40 Kista, Sweden, Telephone: (46)8-509-031-00, Fax: (46)8-509-031-01 E-mail: info@hamamatsu.se

Italy: Hamamatsu Photonics Italia S.r.l.: Strada della Moia, 1 int. 6, 20020 Arese (Milano), Italy, Telephone: (39)02-93581733, Fax: (39)02-93581741 E-mail: info@hamamatsu.it

China: Hamamatsu Photonics (China) Co., Ltd.: B1201 Jiaming Center, No.27 Dongsanhuan Beilu, Chaoyang District, Beijing 100020, China, Telephone: (86)10-6586-6006, Fax: (86)10-6586-2866 E-mail: hpc@hamamatsu.com.cn

TMCP1042E03
MAY 2015 IP