

## OVERVIEW

The H10682 series is a photon counting head device consisting of a metal package photomultiplier tube, along with a high-speed photon counting circuit and a high-voltage power supply circuit. The high voltage supply for photomultiplier tube and the discrimination level are preset to optimum values, allowing photon counting measurement by just connecting a +5 V supply.

The H10682 series has also over light detection function to output a signal at the state that an output count falls by excessive incident light. By this signal, measurement data can be judged that it is normal or not.



## PRODUCT VARIATIONS

Type No.	Spectral response	Photocathode	Features
H10682-110	230 nm to 700 nm	Super bialkali	For visible range
H10682-210	230 nm to 700 nm	Ultra bialkali	For visible range, high sensitive than super bialkali
H10682-01	230 nm to 870 nm	Multialkali	For visible to near IR range

This product can't be used at vacuum environment or reduced pressure environment.

## SPECIFICATIONS

(at +25 °C)

Parameter			H10682-110	H10682-210	H10682-01	Unit
Input voltage			+4.75 to +5.25			V
Max. input voltage			+6			V
Max. input current			40			mA
Effective area			φ8			mm
Peak sensitivity wavelength			400			nm
Count sensitivity	300 nm	Typ.	$3.7 \times 10^5$	$3.9 \times 10^5$	$2.7 \times 10^5$	s <sup>-1</sup> .pW <sup>-1</sup>
	400 nm	Typ.	$4.9 \times 10^5$	$6.1 \times 10^5$	$3.6 \times 10^5$	
	500 nm	Typ.	$3.7 \times 10^5$	$4.6 \times 10^5$	$2.8 \times 10^5$	
	600 nm	Typ.	$1.1 \times 10^5$	$1.3 \times 10^5$	$2.0 \times 10^5$	
	700 nm	Typ.	$7.7 \times 10^3$	$9.1 \times 10^3$	$1.2 \times 10^5$	
	800 nm	Typ.	—	—	$3.0 \times 10^4$	
Count linearity *1			5.0 × 10 <sup>6</sup>			s <sup>-1</sup>
Dark count *2		Typ.	50	50	600	s <sup>-1</sup>
		Max.	100	100	1000	
Pulse-pair resolution			20			ns
Output pulse width			10			ns
Output pulse height	Load resistance 50 Ω	Min.	+2			V
		Typ.	+2.2			
	Un-terminated	Min.	+4			
		Typ.	+4.4			
Recommended load resistance			50			Ω
Signal output logic			Positive logic			—
Over light detection output *3	High level	Min.	+3.5			V
	Low level	Max.	+0.5			
Operating ambient temperature *4			+5 to +40			°C
Storage temperature *4			-20 to +50			°C
Weight			47			g

\*1: Random pulse, at 10 % count loss

\*2: After 30 minutes storage in darkness

\*3: Load resistance 10 kΩ

\*4: No condensation

# PHOTON COUNTING HEADS H10682 SERIES

Figure 1: Typical count sensitivity

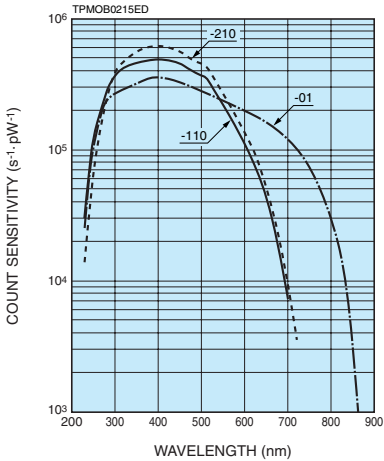


Figure 2: Typical dark count

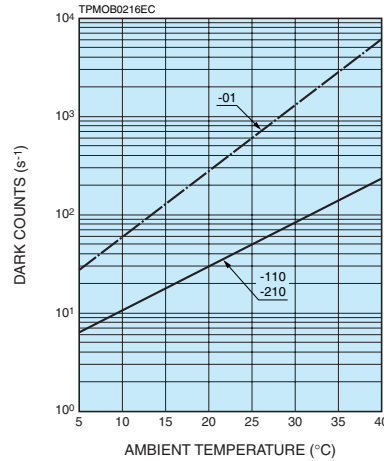


Figure 3: Typical output waveform

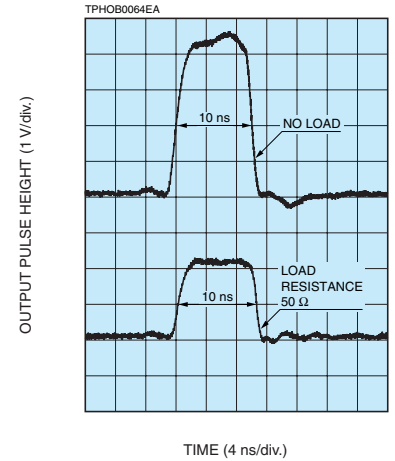


Figure 4: Typical count rate linearity and over light detection output

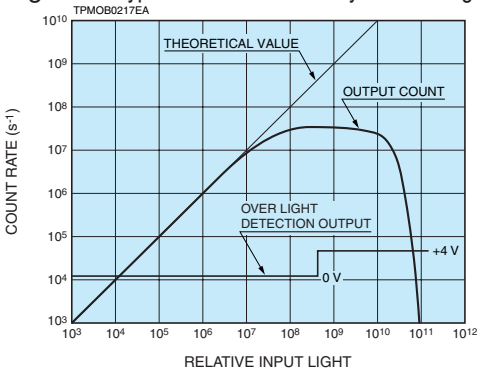


Figure 5: Typical count rate linearity correction

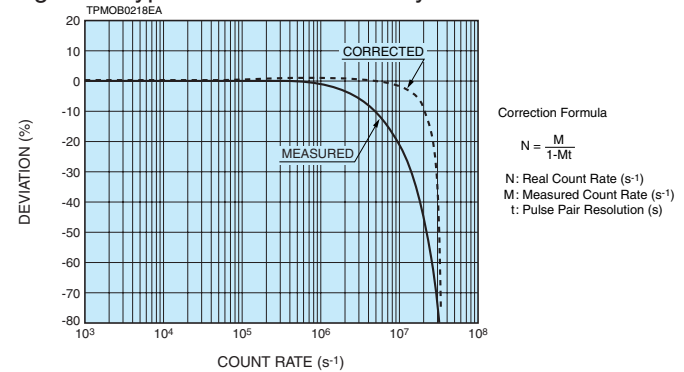


Figure 6: Block diagram

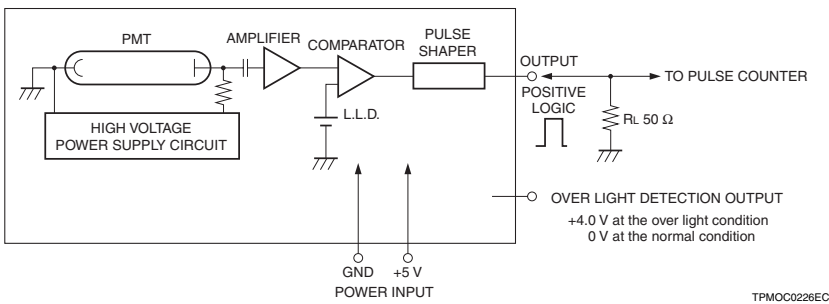
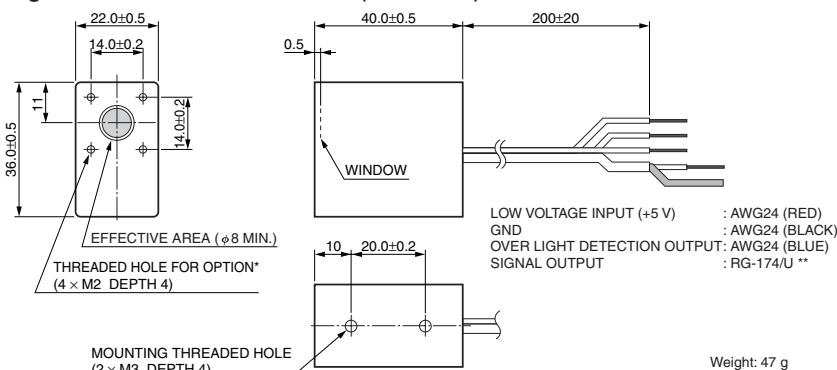


Figure 7: Dimensional outline (Unit: mm)

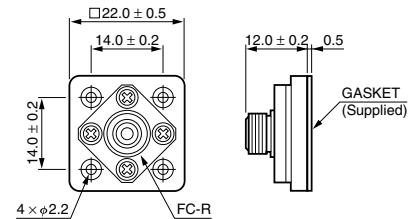


\* Option: E5776, E5776-51, A9865, A10030-01  
\*\* Option: Available with BNC/SMA connector.

## OPTIONS

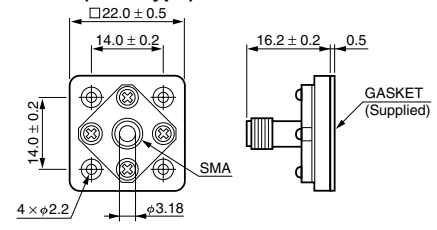
### OPTICAL FIBER ADAPTER (Unit: mm)

#### E5776 (FC Type)



\* Supplied with M2 screws(4 pcs) for fixing to module

#### E5776-51 (SMA Type)



\* Supplied with M2 screws(4 pcs) for fixing to module

Note: Optical blocks are available for these photon counting heads to make compact optical systems without light leakage.

## HAMAMATSU PHOTONICS K.K. [www.hamamatsu.com](http://www.hamamatsu.com)

### HAMAMATSU PHOTONICS K.K., Electron Tube Division

314-5, Shimokanzo, Iwata City, Shizuoka Pref., 438-0193, Japan, Telephone: (81)539/62-5248, Fax: (81)539/62-2205

U.S.A.: Hamamatsu Corporation: 360 Foothill Road, Bridgewater, N.J. 08807-0910, U.S.A., Telephone: (1)908-231-0960, Fax: (1)908-231-1218 E-mail: [usa@hamamatsu.com](mailto:usa@hamamatsu.com)  
 Germany: Hamamatsu Photonics Deutschland GmbH: Arzbergerstr. 10, D-82211 Herrsching am Ammersee, Germany, Telephone: (49)8152-375-0, Fax: (49)8152-2658 E-mail: [info@hamamatsu.de](mailto:info@hamamatsu.de)  
 France: Hamamatsu Photonics France S.A.R.L.: 19, Rue du Saule Trapu, Parc du Moulin de Massy, 91882 Massy Cedex, France, Telephone: (33)1 69 53 71 00, Fax: (33)1 69 53 71 10 E-mail: [infos@hamamatsu.fr](mailto:infos@hamamatsu.fr)  
 United Kingdom: Hamamatsu Photonics UK Limited: 2 Howard Court, 10 Tewin Road, Welwyn Garden City, Hertfordshire AL7 1BW, United Kingdom, Telephone: (44)1707-294888, Fax: (44)1707-325777 E-mail: [info@hamamatsu.co.uk](mailto:info@hamamatsu.co.uk)  
 North Europe: Hamamatsu Photonics Norden AB: Torshamnsgatan 35 SE-164 40 Kista, Sweden, Telephone: (46)8-509-031-00, Fax: (46)8-509-031-01 E-mail: [info@hamamatsu.se](mailto:info@hamamatsu.se)  
 Italy: Hamamatsu Photonics Italia S.r.l.: Strada della Moia, 1 int. 6, 20020 Arese (Milano), Italy, Telephone: (39)02-93581733, Fax: (39)02-93581741 E-mail: [info@hamamatsu.it](mailto:info@hamamatsu.it)  
 China: Hamamatsu Photonics (China) Co., Ltd.: B1201 Jiaming Center, No.27 Dongsanhuan Beilu, Chaoyang District, Beijing 100020, China, Telephone: (86)10-6586-6006, Fax: (86)10-6586-2866 E-mail: [hpc@hamamatsu.com.cn](mailto:hpc@hamamatsu.com.cn)  
 Taiwan: Hamamatsu Photonics Taiwan Co., Ltd.: 8F-3, No.158, Section2, Gongdao 5th Road, East District, Hsinchu, 300, Taiwan R.O.C. Telephone: (886)03-659-0080, Fax: (886)07-811-7238 E-mail: [info@tw.hpk.co.jp](mailto:info@tw.hpk.co.jp)

TPMO1075E01  
JUN. 2016 IP