

# NEW

# HIGH POWER PHOTOIONIZER

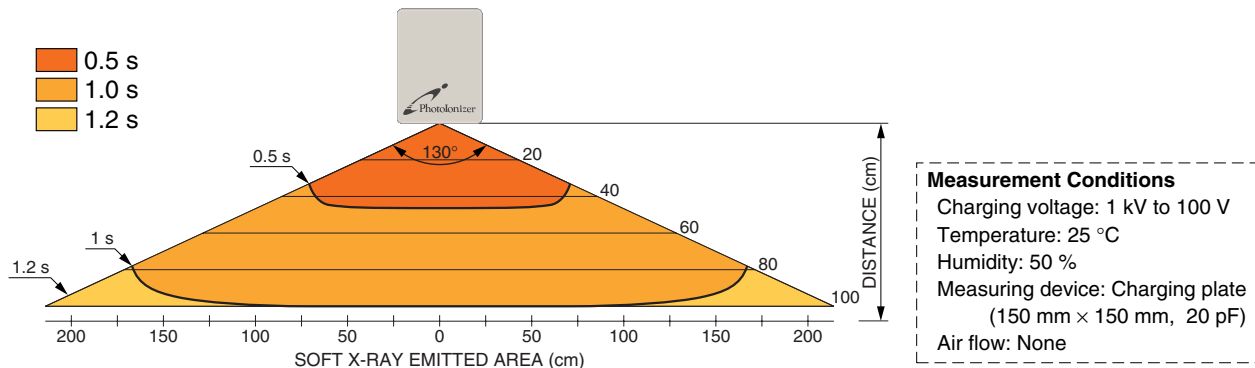
## L11754

## OVERVIEW

The L11754 Photolonizer eliminates electrostatic charges by utilizing a higher output than our previous Photolonizers. Features still include maintenance-free operation, zero dust generation, no overshooting (generating static charges of opposite polarity), and no need for air flow, yet the L11754 also boosts static electricity removal performance to drastically shorten the charge removal time. Wide-ranging removal of electrostatic charges in a short time gives a vastly improved tact time on production lines.



## ELECTROSTATIC CHARGE REMOVAL EFFECT



## SPECIFICATIONS

Parameter	Description / Value	
Ionization Method	Soft X-ray exposure	
Ionization Source	Type	Soft X-ray tube
	Tube Voltage (DC)	15 kV
	Beam Angle	130°
Input Voltage (AC)	100 V to 240 V (50 Hz / 60 Hz)	
Power Consumption	50 W Max.	
Weight	Head	1.73 kg
	Controller	1.41 kg
Operating Ambient Temperature	0 °C to +40 °C	
Operating Ambient Humidity	Below 60 %	
Storage Temperature	-10 °C to +60 °C	
Storage Humidity	Below 85 %	

## FEATURES

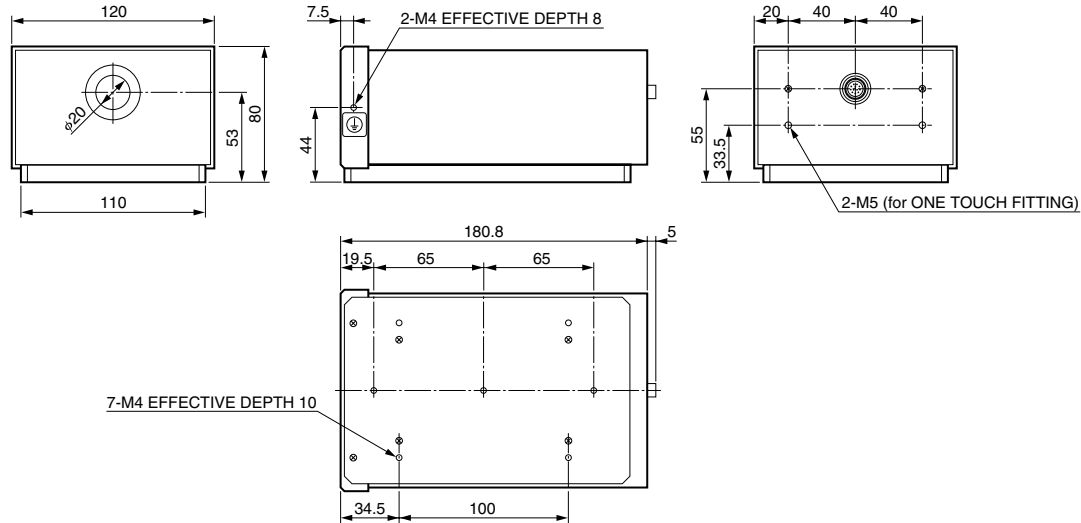
- Quick removal of electrostatic charges for moving on high-speed production lines.
- Effectively removes static charges over a wide range with a small number of heads.

### Shield material thickness

Shield material	Thickness (mm)
SUS 304	0.4
Aluminum plate A5052	7

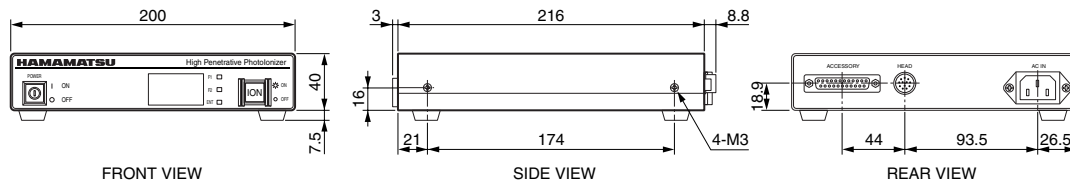
# DIMENSIONAL OUTLINES (Unit: mm)

## ● HEAD: L11755



TAPPA0098EA

## ● CONTROLLER: C11756



Control Cable: A10885 (20 mm)

TAPPA0099EA

## ⚠ SAFETY PRECAUTIONS

- Soft X-rays emitted from this product are harmful to human health. Take adequate precautions to avoid X-ray exposure.
- When using this product, always install the head inside an X-ray shielded cabinet or other shielded location with utilizing safety interlock mechanism.

## ⚠ PRECAUTIONS TO USE

- These products are high precision device. Handle it carefully so as not to apply shocks and vibrations.
- The internal ion generator (soft X-ray tube) is a vacuum tube consisting of a glass envelope that may crack or rupture if subjected to shock. Do not apply strong shocks or vibrations to these products.
- These products were designed for natural air cooling. Do not install it inside a small, air-tight container or locations where the generated heat cannot dissipate.
- To install the head, always use the mounting screw holes in the metal base on the bottom of the head.
- If these products does not operate correctly, turn the power off and check the cable connections. Then turn the power on again and recheck operation. If still inoperative then this product might be defective. Contact us for proper handling or repair.

## LEGAL REGULATIONS INVOLVING THIS PRODUCT

These products must be used in compliance with health and safety regulations enforced to prevent the bodily harm caused by ionizing radiation. Users of these products must be familiar with the applicable laws that regulate use of X-ray emission devices. For more details, refer to international or domestic laws and regulations on ionizing radiation and comply with the required procedures listed there.

## WARRANTY PERIOD

These device are guaranteed for one year from date of delivery.  
The warranty extends only to replacement of the products. The warranty does not cover damage due to misuse or natural calamity.

Subject to local technical requirements and regulations, availability of products included in this promotional material may vary. Please consult with our sales office. Information furnished by HAMAMATSU is believed to be reliable. However, no responsibility is assumed for possible inaccuracies or omissions. Specifications are subject to change without notice. No patent rights are granted to any of the circuits described herein. ©2012 Hamamatsu Photonics K.K.

**HAMAMATSU PHOTONICS K.K.** [www.hamamatsu.com](http://www.hamamatsu.com)

**HAMAMATSU PHOTONICS K.K., Electron Tube Division**

**314-5, Shimokanzo, Iwata City, Shizuoka Pref., 438-0193, Japan, Telephone: (81)539/62-5248, Fax: (81)539/62-2205**

**U.S.A.:** Hamamatsu Corporation: 360 Foothill Road, P. O. Box 6910, Bridgewater, N.J. 08807-0910, U.S.A., Telephone: (1)908-231-0960, Fax: (1)908-231-1218 E-mail: [usa@hamamatsu.com](mailto:usa@hamamatsu.com)

**Germany:** Hamamatsu Photonics Deutschland GmbH: Arzbergerstr. 10, D-82211 Herrsching am Ammersee, Germany, Telephone: (49)8152-375-0, Fax: (49)8152-2658 E-mail: [info@hamamatsu.de](mailto:info@hamamatsu.de)

**France:** Hamamatsu Photonics France S.A.R.L.: 19, Rue du Saule Trappu, Parc du Moulin de Massy, 91882 Massy Cedex, France, Telephone: (33)1 69 53 71 00, Fax: (33)1 69 53 71 10 E-mail: [infos@hamamatsu.fr](mailto:infos@hamamatsu.fr)

**United Kingdom:** Hamamatsu Photonics UK Limited: 2 Howard Court, 10 Tewin Road Welwyn Garden City Hertfordshire AL7 1BW, United Kingdom, Telephone: 44-(0)1707-294888, Fax: 44(0)1707-325777 E-mail: [info@hamamatsu.co.uk](mailto:info@hamamatsu.co.uk)

**North Europe:** Hamamatsu Photonics Norden AB: Smidesvägen 12, SE-171-41 SOLNA, Sweden, Telephone: (46)8-509-031-00, Fax: (46)8-509-031-01 E-mail: [info@hamamatsu.se](mailto:info@hamamatsu.se)

**Italy:** Hamamatsu Photonics Italia: S.R.L.: Strada della Moia, 1/E, 20020 Arese, (Milano), Italy, Telephone: (39)02-935 81 733, Fax: (39)02-935 81 741 E-mail: [info@hamamatsu.it](mailto:info@hamamatsu.it)

**China:** HAMAMATSU PHOTONICS (CHINA) Co., Ltd.: 1201 Tower B, Jianning Center, No.27 Dongsanhuan Beilu, Chaoyang District, Beijing 100020, China, Telephone: (86)10-6586-6006, Fax: (86)10-6586-2866 E-mail: [hpc@hamamatsu.com.cn](mailto:hpc@hamamatsu.com.cn)

TAPP1075E01  
APR. 2012 IP