

FEATURES

- High sensitivity
Radiant at 900 nm..... 7.3 mA/W (Typ.)
Quantum efficiency at 900 nm 1 % (Typ.)
- Wide spectral response 185 nm to 980 nm
- Pin compatible with conventional 1-1/8" side-on PMTs

APPLICATIONS

- Biomedical analysis
Blood analyzer, Flow cytometer, DNA sequencer
- Environmental monitoring
NOx analyzer
- Spectroscopy
Fluorescence spectrometer, Raman spectrometer,
UV-VIS-NIR spectrometer
- Microscopy

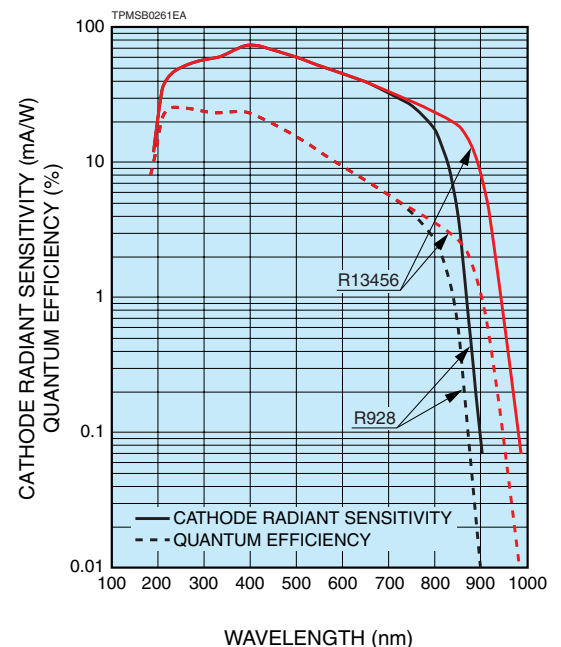


SPECIFICATIONS

GENERAL

Parameter	Description / Value	Unit
Spectral response	185 to 980	nm
Wavelength of maximum response	400	nm
Photocathode	Material	Multialkali
	Minimum effective area	8 × 24
Window material	UV glass	—
Dynode	Structure	Circular-cage
	Number of stages	9
Direct interelectrode capacitances	Anode to last dynode	4
	Anode to all other electrodes	6
Base	11-pin base JEDEC No. B11-88	—
Weight	Approx. 45	g
Operating ambient temperature	-30 to +50	°C
Storage temperature	-30 to +50	°C
Suitable socket	E678-11A (Sold separately)	—
Suitable socket assembly	E717-63 (Sold separately)	—
	E717-74 (Sold separately)	—

Figure 1: Typical spectral response



PHOTOMULTIPLIER TUBE R13456

MAXIMUM RATINGS (Absolute maximum values)

Parameter		Value	Unit
Supply voltage	Between anode and cathode	1250	V
	Between anode and last dynode	250	V
Average anode current ^A		0.1	mA

CHARACTERISTICS (at 25 °C)

Parameter		Min.	Typ.	Max.	Unit	
Cathode sensitivity	Quantum efficiency at 900 nm	0.3	1	—	%	
	Luminous ^B	140	280	—	μA/lm	
	Radiant	at 194 nm	—	18	—	mA/W
		at 254 nm	—	52	—	mA/W
		at 400 nm	—	74	—	mA/W
		at 633 nm	—	41	—	mA/W
		at 852 nm	—	18	—	mA/W
Red/White ratio ^C	0.3	0.4	—	—		
Blue sensitivity index ^D	—	8	—	—		
Anode sensitivity	Luminous ^E	400	2800	—	A/lm	
	Radiant	at 194 nm	—	1.8 × 10 ⁵	—	A/W
		at 254 nm	—	5.2 × 10 ⁵	—	A/W
		at 400 nm	—	7.4 × 10 ⁵	—	A/W
		at 633 nm	—	4.1 × 10 ⁵	—	A/W
		at 852 nm	—	1.8 × 10 ⁵	—	A/W
Gain ^E	—	1.0 × 10 ⁷	—	—		
Anode dark current ^F (After 30 min storage in darkness)		—	5	50	nA	
ENI (Equivalent Noise Input) ^G		—	1.7 × 10 ⁻¹⁶	—	W	
Time response	Anode pulse rise time ^H	—	2.2	—	ns	
	Electron transit time ^I	—	22	—	ns	
	Transit time spread (T.T.S.) ^J	—	1.2	—	ns	

NOTES

A: Averaged over any interval of 30 s maximum.

B: The light source is a tungsten filament lamp operated at a distribution temperature of 2856 K. Supply voltage is 100 V between the cathode and all other electrodes connected together as anode.

C: Red/White ratio is the quotient of the cathode current measured using a red filter (Toshiba R-68) interposed between the light source and the tube by the cathode current measured with the filter removed under the same conditions as Note B.

D: The value is cathode output current when a blue filter (Corning CS 5-58 polished to 1/2 stock thickness) is interposed between the light source and the tube under the same condition as Note B.

E: Measured with the voltage distribution ratio shown in Table 1 below.

Table 1: Voltage distribution ratio

Electrode	K	Dy1	Dy2	Dy3	Dy4	Dy5	Dy6	Dy7	Dy8	Dy9	P
Distribution ratio	1	1	1	1	1	1	1	1	1	1	1

Supply voltage: 1000 V, K: Cathode, Dy: Dynode, P: Anode

F: Measured with the same supply voltage and voltage distribution ratio as Note E after removal of light.

G: ENI is an indication of the photon-limited signal-to-noise ratio. It refers to the amount of light in watts to produce a signal-to-noise ratio of unity in the output of a photomultiplier tube.

$$ENI = \frac{\sqrt{2q \cdot I_{db} \cdot G \cdot \Delta f}}{S}$$

where q = Electronic charge (1.60 × 10⁻¹⁹ coulomb).

I_{db} = Anode dark current (after 30 min storage) in amperes.

G = Gain.

Δf = Bandwidth of the system in hertz. 1 Hz is used.

S = Anode radiant sensitivity in amperes per watt at the wavelength of peak response.

H: The rise time is the time for the output pulse to rise from 10 % to 90 % of the peak amplitude when the entire photocathode is illuminated by a delta function light pulse.

I: The electron transit time is the interval between the arrival of delta function light pulse at the entrance window of the tube and the time when the anode output reaches the peak amplitude. In measurement, the whole photocathode is illuminated.

J: Also called transit time jitter. This is the fluctuation in electron transit time between individual pulses in the signal photoelectron mode, and may be defined as the FWHM of the frequency distribution of electron transit times.

Figure 2: Anode luminous sensitivity and gain characteristics

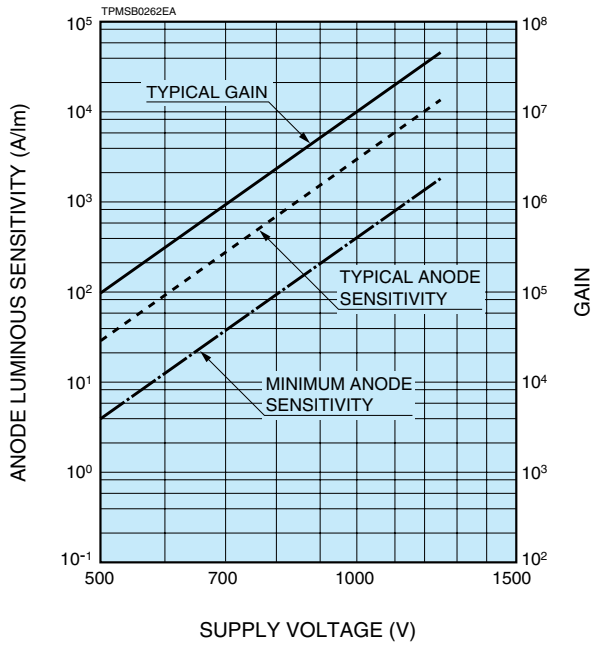


Figure 3: Typical time response

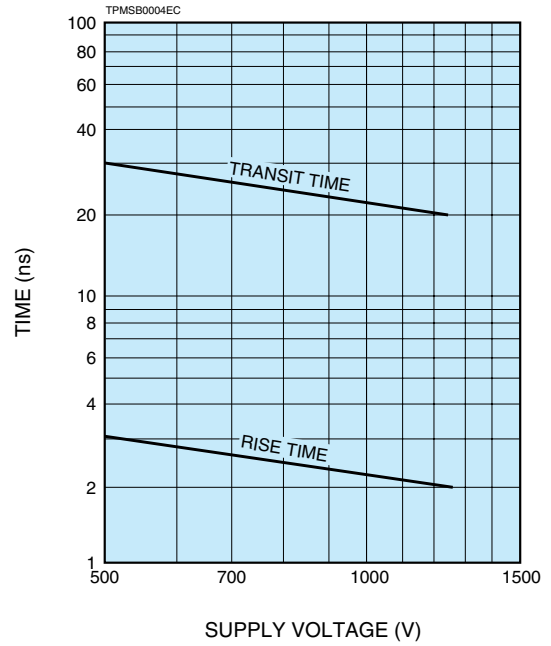


Figure 4: Typical temperature coefficient of anode sensitivity

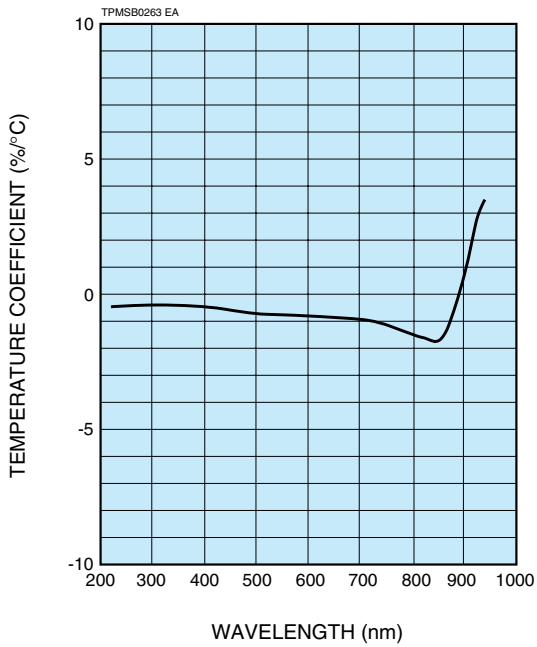
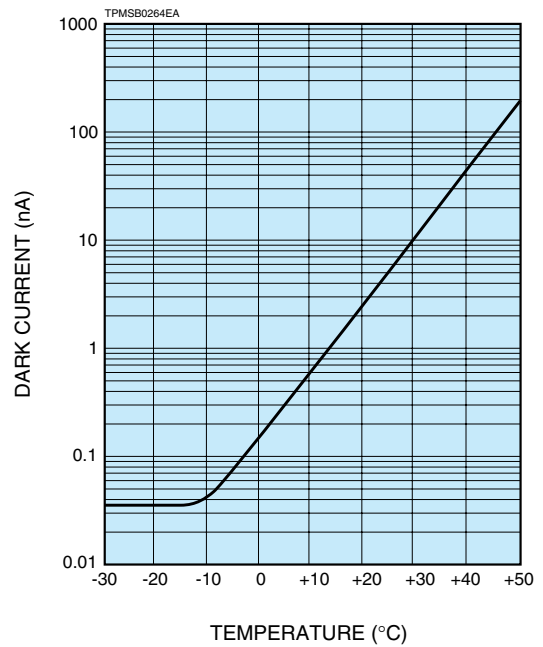
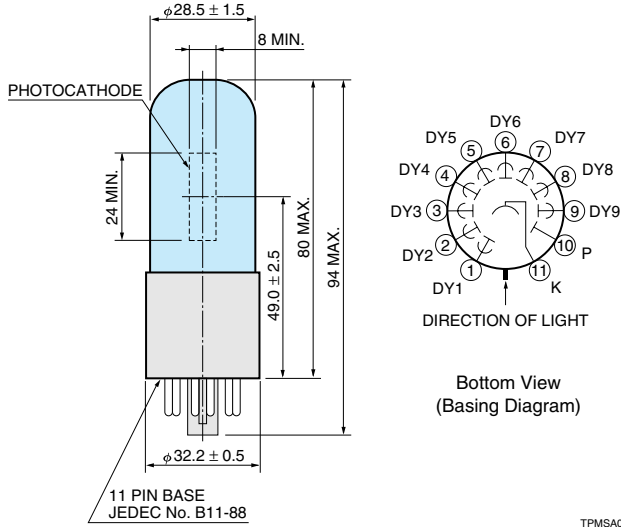


Figure 5: Typical temperature characteristic of dark current (at 1000 V, after 30 min storage in darkness)



PHOTOMULTIPLIER TUBE R13456

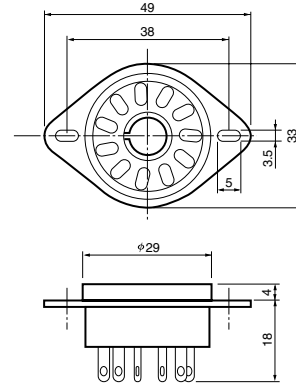
Figure 6: Dimensional outline and basing diagram (Unit: mm)



TPMSA0008EA

Figure 7: Socket (Unit: mm) Sold separately

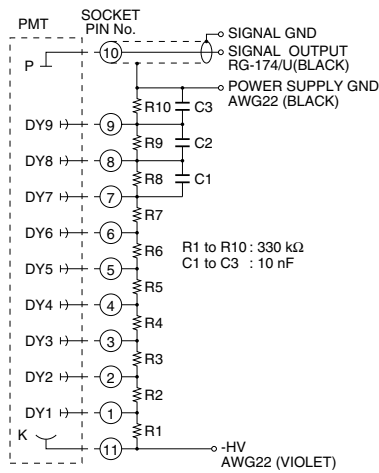
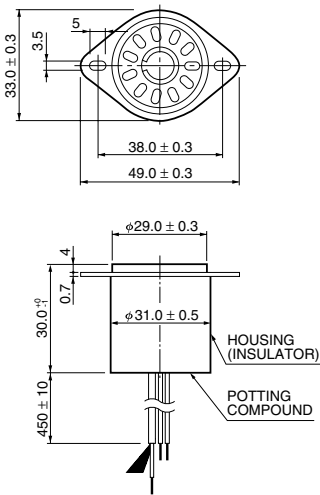
E678-11A



TACCA0064EA

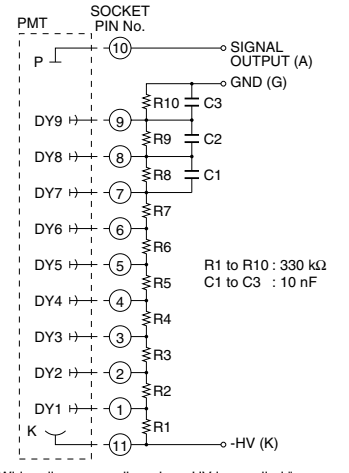
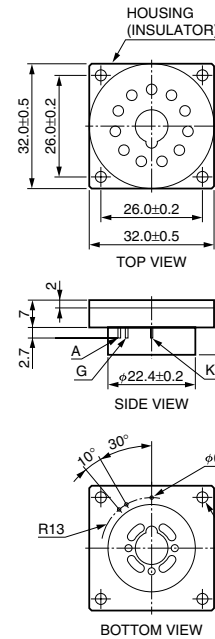
Figure 8: D type socket assembly (Unit: mm) Sold separately

E717-63



TACCA0002EH

E717-74



Wiring diagram applies when -HV is supplied.
To supply +HV, connect the pin "G" to +HV, and the pin "K" to the GND.

TACCA0027EA

* Hamamatsu also provides C4900 series compact high voltage power supplies and C12597-01 series DP type socket assemblies which incorporate a DC to DC converter type high voltage power supply.

Warning—Personal safety hazards
Electrical Shock—Operating voltages applied to this device present a shock hazard.

HAMAMATSU PHOTONICS K.K. www.hamamatsu.com

HAMAMATSU PHOTONICS K.K., Electron Tube Division

314-5, Shimokanzo, Iwata City, Shizuoka Pref., 438-0193, Japan, Telephone: (81)539/62-5248, Fax: (81)539/62-2205

U.S.A.: Hamamatsu Corporation: 360 Foothill Road, Bridgewater, N.J. 08807-0910, U.S.A., Telephone: (1)908-231-0960, Fax: (1)908-231-1218 E-mail: usa@hamamatsu.com

Germany: Hamamatsu Photonics Deutschland GmbH: Arzbergerstr. 10, D-82211 Herrsching am Ammersee, Germany, Telephone: (49)8152-375-0, Fax: (49)8152-2658 E-mail: info@hamamatsu.de

France: Hamamatsu Photonics France S.A.R.L.: 19, Rue du Saule Trapu, Parc du Moulin de Massy, 91882 Massy Cedex, France, Telephone: (33)1 69 53 71 00, Fax: (33)1 69 53 71 10 E-mail: infos@hamamatsu.fr

United Kingdom: Hamamatsu Photonics UK Limited: 2 Howard Court, 10 Tewin Road, Welwyn Garden City, Hertfordshire AL7 1BW, United Kingdom, Telephone: (44)1707-294888, Fax: (44)1707-325777 E-mail: info@hamamatsu.co.uk

North Europe: Hamamatsu Photonics Norden AB: Torshamnsgatan 35 SE-164 40 Kista, Sweden, Telephone: (46)8-509-031-00, Fax: (46)8-509-031-01 E-mail: info@hamamatsu.se

Italy: Hamamatsu Photonics Italia S.r.l.: Strada della Moia, 1 int. 6, 20020 Arese (Milano), Italy, Telephone: (39)02-93581733, Fax: (39)02-93581741 E-mail: info@hamamatsu.it

China: Hamamatsu Photonics (China) Co., Ltd.: B1201, Jiaming Center, No.27 Dongsanhuan Beilu, Chaoyang District, Beijing 100020, China, Telephone: (86)10-6586-6006, Fax: (86)10-6586-2866 E-mail: hpc@hamamatsu.com.cn

Taiwan: Hamamatsu Photonics Taiwan Co., Ltd.: 8F-3, No.158, Section2, Gongdao 5th Road, East District, Hsinchu, 300, Taiwan R.O.C. Telephone: (886)03-659-0080, Fax: (886)07-811-7238 E-mail: info@tw.hpk.co.jp

TPMS1102E02
JAN. 2017 IP