

High Cathode Sensitivity with Low Noise Photocathode

FEATURES

- Spectral Response 185 nm to 680 nm
- High Cathode Sensitivity
 - Luminous 60 $\mu\text{A}/\text{lm}$
 - Radiant at 400 nm 60 mA/W
- High Anode Sensitivity (at 1000 V)
 - Luminous 400 A/lm
 - Radiant at 400 nm 4.0×10^5 A/W
- Low Dark Current 0.1 nA
- Low Dark Counts (R1527P) 10 s^{-1}

APPLICATIONS

- Fluorescence Spectrometer
- Chemiluminescence Detection
- Raman Spectroscopy
- Low Light Level Ditection

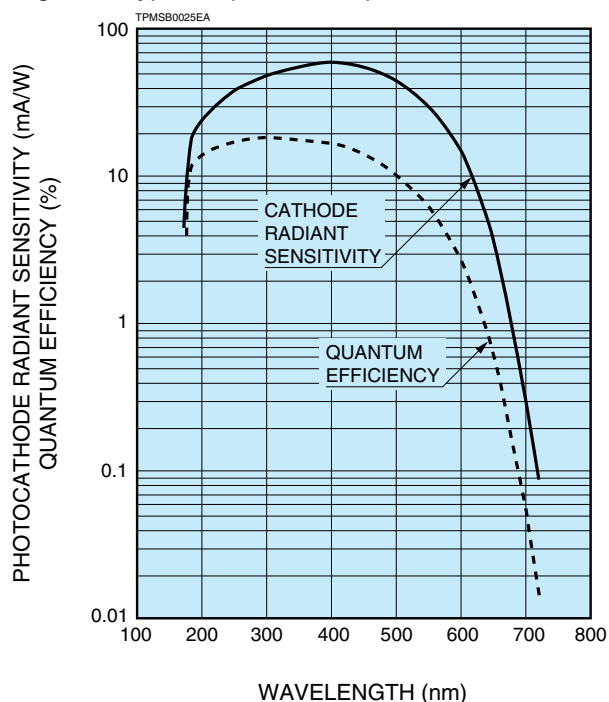
SPECIFICATIONS

GENERAL

Parameter	Description / Value	Unit
Spectral Response	185 to 680	nm
Wavelength of Maximum Response	400	nm
Photocathode		
Material	Low noise bialkali	—
Minimum Effective Area	8 × 24	mm
Window Material	UV glass	—
Dynode		
Secondary Emitting Surface	Low noise bialkali	—
Structure	Circular-cage	—
Number of Stages	9	—
Direct Interelectrode Capacitances		
Anode to Last Dynode	4	pF
Anode to All Other Electrodes	6	pF
Base	11-pin base JEDEC No. B11-88	—
Weight	45	g
Operating Ambient Temperature	-30 to +50	°C
Storage Temperature	-30 to +50	°C
Suitable Socket	E678-11A (Sold Separately)	—
Suitable Socket Assembly	E717-63 (Sold Separately) E717-74 (Sold Separately)	—



Figure 1: Typical Spectral Response



PHOTOMULTIPLIER TUBES

R1527, R1527P (For Photon Counting)

MAXIMUM RATINGS (Absolute Maximum Values)

Parameter	Value	Unit
Supply Voltage		
Between Anode and Cathode (DC)	1250	V
Between Anode and Last Dynode (DC)	250	V
Average Anode Current ^(A)	0.1	mA

CHARACTERISTICS (at 25 °C)

Parameter	R1527 for General Purpose			R1527P for Photon Counting			Unit
	Min.	Typ.	Max.	Min.	Typ.	Max.	
Cathode Sensitivity							
Quantum Efficiency (at peak wavelength)	—	19	—	—	19	—	%
Luminous ^(B)	40	60	—	40	60	—	μA/lm
Radiant (at peak wavelength)	—	60	—	—	60	—	mA/W
Blue Sensitivity Index ^(C)	—	6.4	—	—	6.4	—	—
Anode Sensitivity							
Luminous ^(D)	200	400	—	200	400	—	A/lm
Radiant at 400 nm	—	4.0 × 10 ⁵	—	—	4.0 × 10 ⁵	—	A/W
Gain ^(E)	—	6.7 × 10 ⁶	—	—	6.7 × 10 ⁶	—	—
Anode Dark Current ^(F)							
After 30 minute Storage in the darkness	—	0.1	2.0	—	0.1	0.5	nA
Anode Dark Counts ^(F)	—	—	—	—	10	50	s ⁻¹
ENI(Equivalent Noise Input) ^(G)	—	3.7 × 10 ⁻¹⁷	—	—	3.7 × 10 ⁻¹⁷	—	W
Time Response ^(H)							
Anode Pulse Rise Time ^(H)	—	2.2	—	—	2.2	—	ns
Electron Transit Time ^(J)	—	22	—	—	22	—	ns
Transit Time Spread (TTS) ^(K)	—	1.2	—	—	1.2	—	ns
Anode Current Stability ^(L)							
Current Hysteresis	—	0.1	—	—	0.1	—	%
Voltage Hysteresis	—	1.0	—	—	1.0	—	%

NOTES

- A: Averaged over any interval of 30 seconds maximum.
- B: The light source is a tungsten filament lamp operated at a distribution temperature of 2856 K. Supply voltage is 150 volts between the cathode and all other electrodes connected together as anode.
- C: The value is cathode output current when a blue filter(Corning CS-5-58 polished to 1/2 stock thickness) is interposed between the light source and the tube under the same condition as Note B.
- D: Measured with the same light source as Note B and with the anode-to-cathode supply voltage and voltage distribution ratio shown in Table 1 below.
- E: Measured with the same supply voltage and voltage distribution ratio as Note D after removal of light.
- F: Measured at the plateau voltage.
- G: ENI is an indication of the photon-limited signal-to-noise ratio. It refers to the amount of light in watts to produce a signal-to-noise ratio of unity in the output of a photomultiplier tube.

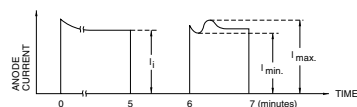
$$ENI = \frac{\sqrt{2q \cdot I_{db} \cdot G \cdot f}}{S}$$

- where q = Electronic charge (1.60 × 10⁻¹⁹ coulomb).
- I_{db} = Anode dark current(after 30 minute storage) in amperes.
- G = Gain.
- f = Bandwidth of the system in hertz. 1 hertz is used.
- S = Anode radiant sensitivity in amperes per watt at the wavelength of peak response.

- H: The rise time is the time for the output pulse to rise from 10% to 90% of the peak amplitude when the entire photocathode is illuminated by a delta function light pulse.
- J: The electron transit time is the interval between the arrival of delta function light pulse at the entrance window of the tube and the time when the anode output reaches the peak amplitude. In measurement, the whole photocathode is illuminated.

- K: Also called transit time jitter. This is the fluctuation in electron transit time between individual pulses in the signal photoelectron mode, and may be defined as the FWHM of the frequency distribution of electron transit times.
- L: Hysteresis is temporary instability in anode current after light and voltage are applied.

$$\text{Hysteresis} = \frac{I_{\max} - I_{\min}}{I_i} \times 100(\%)$$



TPMSB0002EA

- (1) Current Hysteresis
The tube is operated at 750 volts with an anode current of 1 micro-ampere for 5 minutes. The light is then removed from the tube for a minute. The tube is then re-illuminated by the previous light level for a minute to measure the variation.
- (2) Voltage Hysteresis
The tube is operated at 300 volts with an anode current of 0.1 micro-ampere for 5 minutes. The light is then removed from the tube and the supply voltage is quickly increased to 800 volts. After a minute, the supply voltage is then reduced to the previous value and the tube is re-illuminated for a minute to measure the variation.

Table 1: Voltage Distribution Ratio

Electrode	K	Dy1	Dy2	Dy3	Dy4	Dy5	Dy6	Dy7	Dy8	Dy9	P
Distribution Ratio	1	1	1	1	1	1	1	1	1	1	1

Supply Voltage : 1000 V (DC)

K : Cathode, Dy : Dynode, P : Anode

Figure 2: Typical Gain and Anode Dark Current

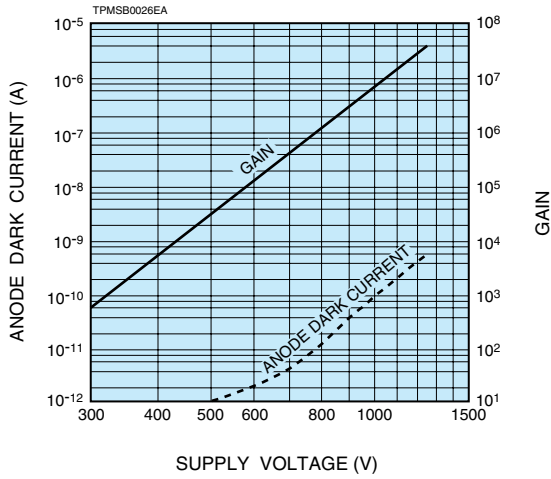


Figure 3: Typical Time Response

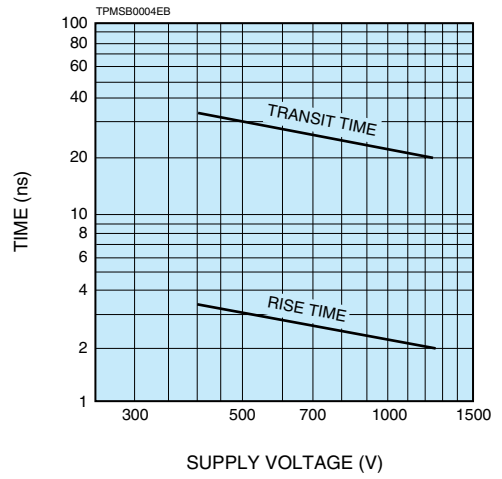


Figure 4: Typical ENI vs. Wavelength

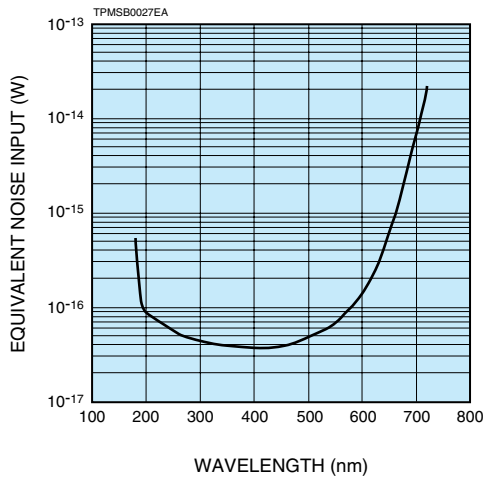
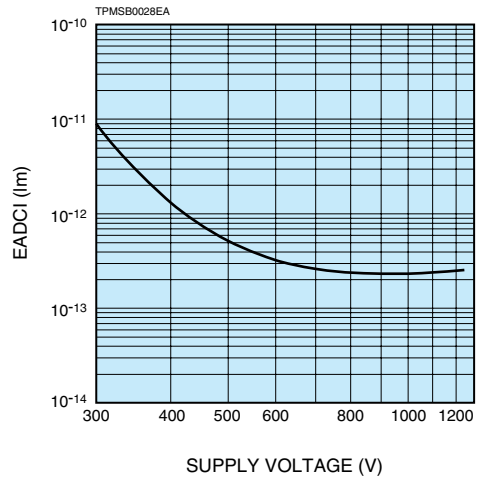


Figure 5: Typical EADCI (Equivalent Anode Dark Current Input) vs. Supply Voltage



Data shown here, which is given from a relation among supply voltage, anode sensitivity and dark current, serves as a good reference in order to determine the most suitable supply voltage or its range.

Figure 6: Typical Plateau Data for R1527P

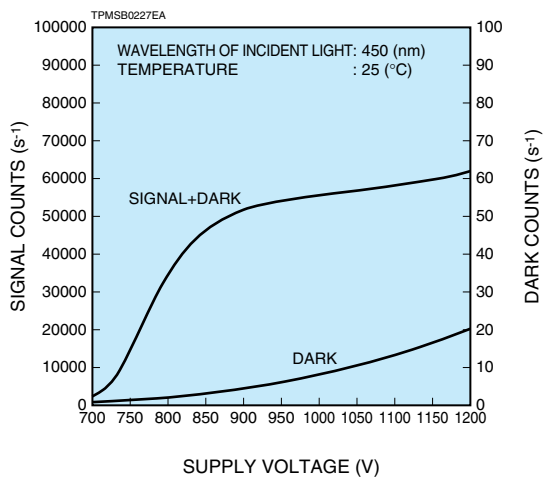
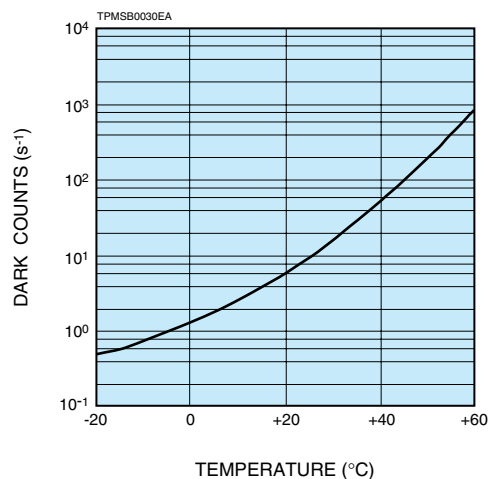


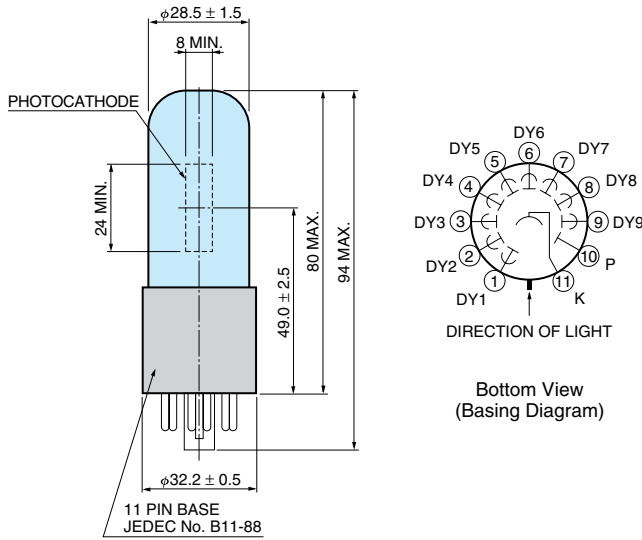
Figure 7: Typical Temperature Characteristics of Dark Count for R1527P



PHOTOMULTIPLIER TUBES

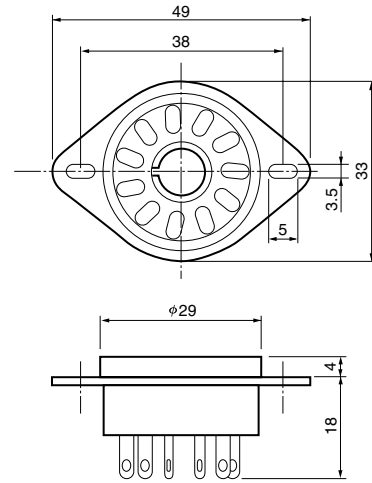
R1527, R1527P (For Photon Counting)

Figure 8: Dimensional Outline and Basing Diagram (Unit: mm)



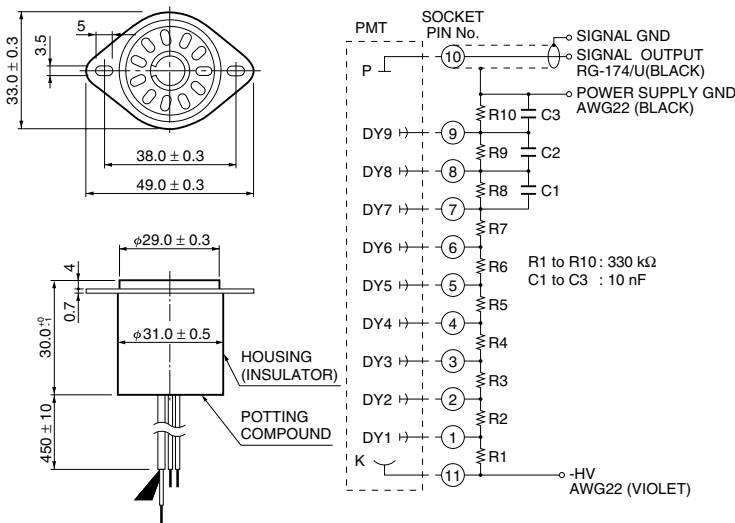
TPMSA001EB

Figure 9: Socket E678-11A (Sold Separately)



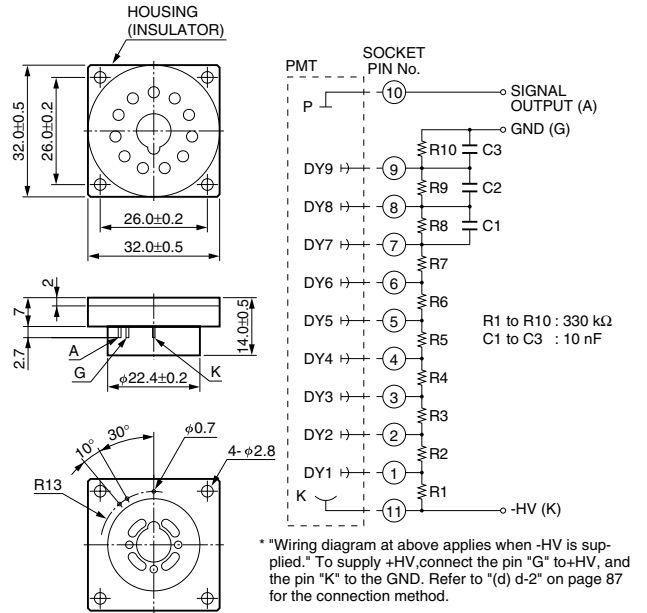
TACCA0064EA

Figure 10: D Type Socket Assembly E717-63 (Sold Separately)



TACCA002EH

Figure 11: D Type Socket Assembly E717-74 (Sold Separately)



TACCA0277EA

* Hamamatsu also provides C4900 series compact high voltage power supplies and C6270 series DP type socket assemblies which incorporate a DC to DC converter type high voltage power supply.

Warning—Personal Safety Hazards
Electrical Shock—Operating voltages applied to this device present a shock hazard.

HAMAMATSU

WEB SITE www.hamamatsu.com

HAMAMATSU PHOTONICS K.K., Electron Tube Division

314-5, Shimokanzo, Iwata City, Shizuoka Pref., 438-0193, Japan, Telephone: (81)539/62-5248, Fax: (81)539/62-2205

U.S.A.: Hamamatsu Corporation, 360 Foothill Road, P. O. Box 6910, Bridgewater, N.J. 08807-0910, U.S.A., Telephone: (1)908-231-0960, Fax: (1)908-231-1218 E-mail: usa@hamamatsu.com

Germany: Hamamatsu Photonics Deutschland GmbH: Arzbergerstr. 10, D-82211 Herrsching am Ammersee, Germany, Telephone: (49)8152-375-0, Fax: (49)8152-2658 E-mail: info@hamamatsu.de

France: Hamamatsu Photonics France S.A.R.L.: 19, Rue du Saule Trapu, Parc du Moulin de Massy, 91882 Massy Cedex, France, Telephone: (33)1 69 53 71 00, Fax: (33)1 69 53 71 10 E-mail: infos@hamamatsu.fr

United Kingdom: Hamamatsu Photonics UK Limited: 2 Howard Court, 10 Tewin Road Welwyn Garden City Hertfordshire AL7 1BW, United Kingdom, Telephone: 44-(0)1707-294888, Fax: 44(0)1707-325777 E-mail: info@hamamatsu.co.uk

North Europe: Hamamatsu Photonics Norden AB: Smidesvägen 12, SE-171-41 SOLNA, Sweden, Telephone: (46)8-509-031-00, Fax: (46)8-509-031-01 E-mail: info@hamamatsu.se

Italy: Hamamatsu Photonics Italia: S.R.L.: Strada della Moia, 1/E, 20020 Arese, (Milano), Italy, Telephone: (39)02-935 81 733, Fax: (39)02-935 81 741 E-mail: info@hamamatsu.it

TPMS1007E03
APR. 2010. IP