

FEATURES

- Low dark counts 250 s⁻¹ (at 25 °C)
- Low dark current 2 nA (after 30 min storage in darkness)
- Wide spectral response 185 nm to 900 nm
- High cathode sensitivity
 - Luminous 200 μA/lm
 - Radiant at 400 nm 68 mA/W
- High anode sensitivity
 - Luminous 2000 A/lm
 - Radiant at 400 nm 6.8 × 10⁵ A/W

APPLICATIONS

- Bio fluorescence detection
- Laser scanning microscope
- Spectroscopy
- Environmental monitoring
 - Air monitoring
- Blood inspection
- Photometers

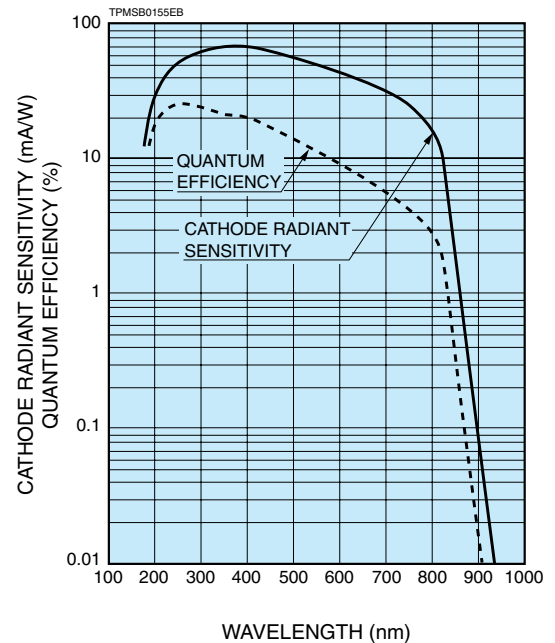


SPECIFICATIONS

GENERAL

| Parameter | | Description / Value | Unit |
|------------------------------------|-------------------------------|----------------------------|------|
| Spectral response | | 185 to 900 | nm |
| Wavelength of maximum response | | 400 | nm |
| Photocathode | Material | Multialkali | — |
| | Minimum effective area | 8 × 6 | mm |
| Window material | | UV glass | — |
| Dynode | Structure | Circular-cage | — |
| | Number of stages | 9 | — |
| Direct interelectrode capacitances | Anode to last dynode | Approx. 4 | pF |
| | Anode to all other electrodes | Approx. 6 | pF |
| Base | | 11-pin base | — |
| Weight | | Approx. 46 | g |
| Operating ambient temperature | | -30 to +50 | °C |
| Storage temperature | | -30 to +50 | °C |
| Suitable socket | | E678-11A (sold separately) | — |
| Suitable socket assembly | | E717-63 (sold separately) | — |

Figure 1: Typical spectral response



PHOTOMULTIPLIER TUBE R2949

MAXIMUM RATINGS (Absolute maximum values)

| Parameter | | Value | Unit |
|--------------------------------------|-------------------------------|-------|------|
| Supply voltage | Between anode and cathode | 1250 | V |
| | Between anode and last dynode | 250 | V |
| Average anode current ^(A) | | 0.1 | mA |

CHARACTERISTICS (at 25 °C)

| Parameter | | Min. | Typ. | Max. | Unit | |
|--|--------------------------------------|-----------------------|-------------------------|-----------------------|-----------------|------|
| Cathode sensitivity | Quantum efficiency at 260 nm | — | 25 | — | % | |
| | Luminous ^(B) | 140 | 200 | — | μA/lm | |
| | Radiant | at 194 nm | — | 18 | — | mA/W |
| | | at 254 nm | — | 52 | — | mA/W |
| | | at 400 nm | — | 68 | — | mA/W |
| | | at 633 nm | — | 41 | — | mA/W |
| | | at 852 nm | — | 3.5 | — | mA/W |
| Red / White ratio ^(C) | 0.1 | 0.3 | — | — | | |
| Blue sensitivity index ^(D) | — | 7.5 | — | — | | |
| Anode sensitivity | Luminous ^(E) | 1000 | 2000 | — | A/lm | |
| | Radiant | at 194 nm | — | 1.8 × 10 ⁵ | — | A/W |
| | | at 254 nm | — | 5.2 × 10 ⁵ | — | A/W |
| | | at 400 nm | — | 6.8 × 10 ⁵ | — | A/W |
| | | at 633 nm | — | 4.1 × 10 ⁵ | — | A/W |
| at 852 nm | | — | 3.5 × 10 ⁴ | — | A/W | |
| Gain ^(E) | — | 1.0 × 10 ⁷ | — | — | | |
| Anode dark count ^(F) | at +25 °C | — | 250 | 750 | s ⁻¹ | |
| Anode dark current ^(G) (After 30 min storage in darkness) | | — | 2 | 25 | nA | |
| ENI (Equivalent Noise Input) ^(H) | | — | 1.2 × 10 ⁻¹⁶ | — | W | |
| Time response ^(G) | Anode pulse rise time ^(I) | — | 2.2 | — | ns | |
| | Electron transit time ^(J) | — | 22 | — | ns | |

NOTES

- (A) Averaged over any interval of 30 seconds maximum.
- (B) The light source is a tungsten filament lamp operated at a distribution temperature of 2856 K. Supply voltage is 100 V between the cathode and all other electrodes connected together as anode.
- (C) Red/White ratio is the quotient of the cathode current measured using a red filter (Toshiba R-68) interposed between the light source and the tube by the cathode current measured with the filter removed under the same conditions as Note (B).
- (D) The value is cathode output current when a blue filter (Corning CS 5-58 polished to 1/2 stock thickness) is interposed between the light source and the tube under the same condition as Note (B).
- (E) Measured with the same light source as Note (B) and with the voltage distribution ratio shown in Table 1.

Table 1: Voltage distribution ratio

| Electrode | K | Dy1 | Dy2 | Dy3 | Dy4 | Dy5 | Dy6 | Dy7 | Dy8 | Dy9 | P |
|--------------------|---|-----|-----|-----|-----|-----|-----|-----|-----|-----|---|
| Distribution ratio | 1 | 1 | 1 | 1 | 1 | 1 | 1 | 1 | 1 | 1 | 1 |

Supply voltage: 1000 V, K: Cathode, Dy: Dynode, P: Anode

- (F) Measured at the plateau voltage.

Table 2: Voltage distribution ratio for plateau test

| Electrodes | K | Dy1 | Dy2 | Dy3 | Dy4 | Dy5 | Dy6 | Dy7 | Dy8 | Dy9 | P |
|--------------------|---|-----|-----|-----|-----|-----|-----|-----|-----|-----|---|
| Distribution ratio | 1 | 1 | 1 | 1 | 1 | 1 | 1 | 1 | 2 | 1 | 1 |

Supply voltage: Plateau voltage, K: Cathode, Dy: Dynode, P: Anode

- (G) Measured with the same supply voltage and voltage distribution ratio shown in Table 1.
- (H) ENI is an indication of the photon-limited signal-to-noise ratio. It refers to the amount of light in watts to produce a signal-to-noise ratio of unity in the output of a photomultiplier tube.

$$ENI = \frac{\sqrt{2q \cdot I_{db} \cdot G \cdot \Delta f}}{S}$$

- where q = Electronic charge (1.60 × 10⁻¹⁹ coulomb).
 I_{db} = Anode dark current (after 30 minute storage) in amperes.
 G = Gain.
 Δf = Bandwidth of the system in hertz. 1 hertz is used.
 S = Anode radiant sensitivity in amperes per watt at the wavelength of peak response.

- (I) The rise time is the time for the output pulse to rise from 10 % to 90 % of the peak amplitude when the entire photocathode is illuminated by a delta function light pulse.
- (J) The electron transit time is the interval between the arrival of delta function light pulse at the entrance window of the tube and the time when the anode output reaches the peak amplitude. In measurement, the whole photocathode is illuminated.

Figure 2: Anode luminous sensitivity and gain characteristics

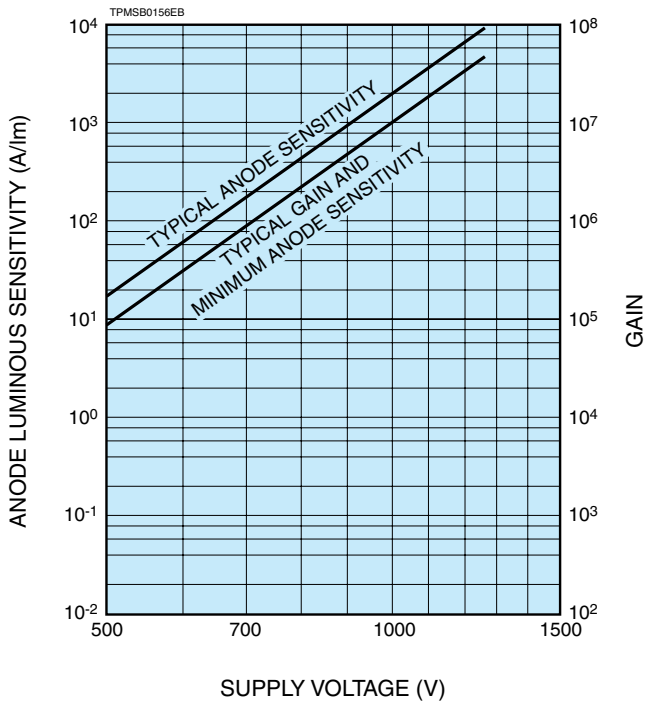


Figure 3: Typical time response

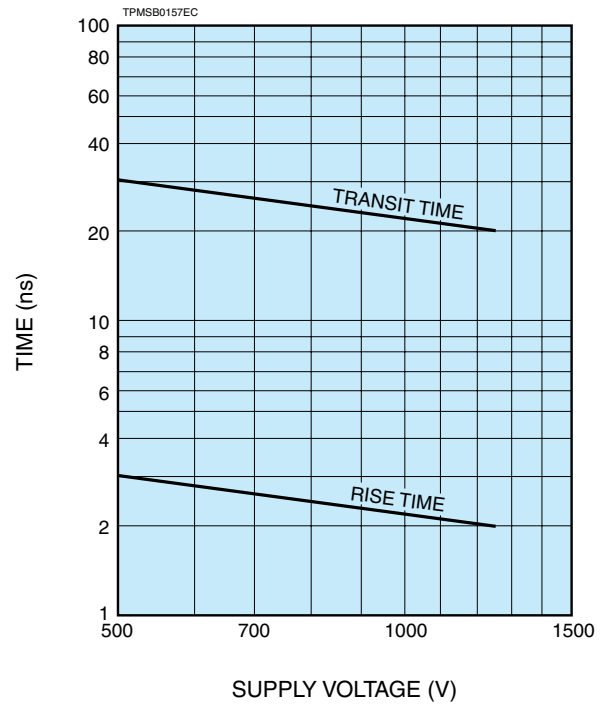
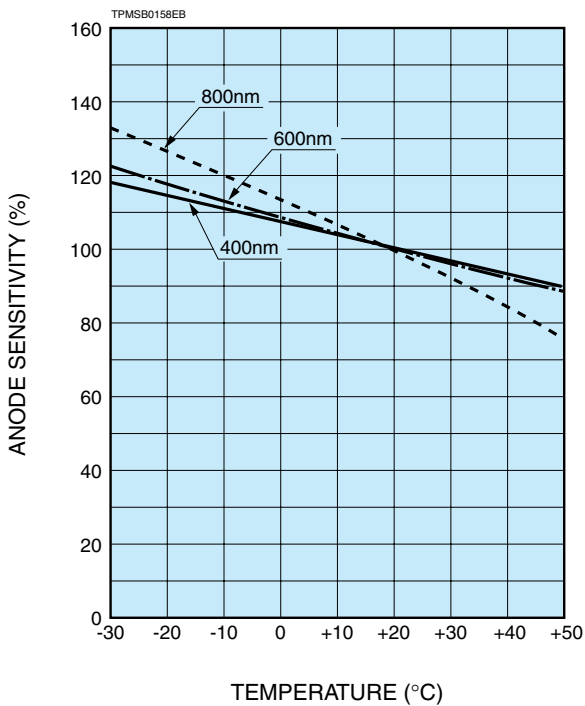
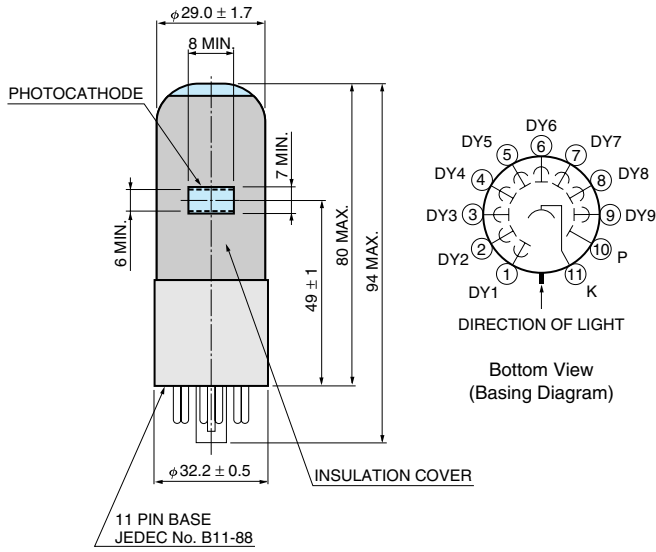


Figure 4: Typical temperature coefficient of anode sensitivity



PHOTOMULTIPLIER TUBE R2949

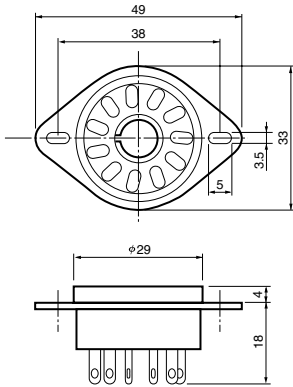
Figure 5: Dimensional outline and basing diagram (Unit: mm)



TPMSA0016EA

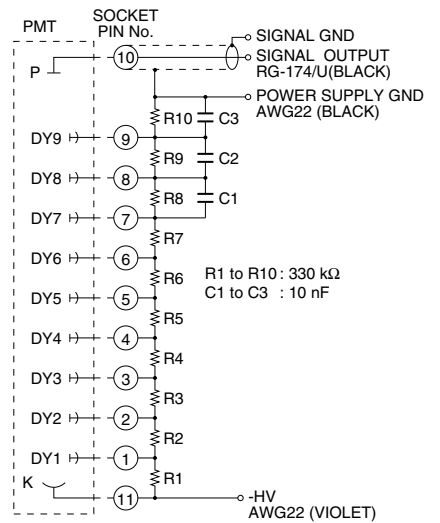
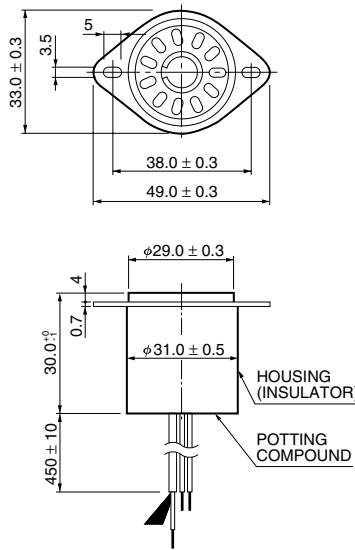
Figure 6: Accessories (Unit: mm) Sold separately

Socket E678-11A



TACCA0064EA

D type socket assembly E717-63



TACCA0002EH

* Hamamatsu also provides C4900 series compact high voltage power supplies and C12597-01, C8991 DP type socket assemblies which incorporate a DC to DC converter type high voltage power supply.

Warning—Personal Safety Hazards

Electrical Shock—Operating voltages applied to this device present a shock hazard.

HAMAMATSU PHOTONICS K.K. www.hamamatsu.com

HAMAMATSU PHOTONICS K.K., Electron Tube Division

314-5, Shimokanzo, Iwata City, Shizuoka Pref., 438-0193, Japan, Telephone: (81)539/62-5248, Fax: (81)539/62-2205

U.S.A.: Hamamatsu Corporation: 360 Foothill Road, Bridgewater, N.J. 08807-0910, U.S.A., Telephone: (1)908-231-0960, Fax: (1)908-231-1218 E-mail: usa@hamamatsu.com

Germany: Hamamatsu Photonics Deutschland GmbH: Arzbergerstr. 10, D-82211 Herrsching am Ammersee, Germany, Telephone: (49)8152-375-0, Fax: (49)8152-2658 E-mail: info@hamamatsu.de

France: Hamamatsu Photonics France S.A.R.L.: 19, Rue du Saule Trapu, Parc du Moulin de Massy, 91882 Massy Cedex, France, Telephone: (33)1 69 53 71 00, Fax: (33)1 69 53 71 10 E-mail: info@hamamatsu.fr

United Kingdom: Hamamatsu Photonics UK Limited: 2 Howard Court, 10 Tewin Road, Welwyn Garden City, Hertfordshire AL7 1BW, United Kingdom, Telephone: (44)1707-294888, Fax: (44)1707-325777 E-mail: info@hamamatsu.co.uk

North Europe: Hamamatsu Photonics Norden AB: Torshamnsgatan 35 SE-164 40 Kista, Sweden, Telephone: (46)8-509-031-00, Fax: (46)8-509-031-01 E-mail: info@hamamatsu.se

Italy: Hamamatsu Photonics Italia S.r.l.: Strada della Moia, 1 int. 6, 20020 Arese (Milano), Italy, Telephone: (39)02-93581733, Fax: (39)02-93581741 E-mail: info@hamamatsu.it

China: Hamamatsu Photonics (China) Co., Ltd.: B1201 Jiaming Center, No.27 Dongsanhuan Beilu, Chaoyang District, Beijing 100020, China, Telephone: (86)10-6586-6006, Fax: (86)10-6586-2866 E-mail: hpc@hamamatsu.com.cn

Taiwan: Hamamatsu Photonics Taiwan Co., Ltd.: 8F-3, No.158, Section2, Gongdao 5th Road, East District, Hsinchu, 300, Taiwan R.O.C. Telephone: (886)03-659-0080, Fax: (886)07-811-7238 E-mail: info@tw.hpk.co.jp

TPMS1095E01
JUL. 2016 IP