

■ **Features**

- 3 stack PLD
- Peak output power: ≥ 100 W
- Peak emission wavelength: 905 nm
- Emitting area size: $360 \mu\text{m} \times 10 \mu\text{m}$

■ **Applications**

- Laser range finder
- Security
- Measuring instruments



■ **Absolute maximum ratings ($T_{\text{op}(c)} = 25 \text{ }^\circ\text{C}$)**

Parameter	Symbol	Value	Unit
Pulsed forward current	I_{fp}	40	A
Reverse voltage	V_{r}	2.5	V
Pulse duration	t_{w}	100	ns
Duty ratio	DR	0.1	%
Operating temperature	$T_{\text{op}(c)}$	-40 to +85	$^\circ\text{C}$
Storage temperature	T_{stg}	-40 to +100	$^\circ\text{C}$

■ **Characteristics ($T_{\text{op}(c)} = 25 \text{ }^\circ\text{C}$)**

Parameter	Symbol	Conditions	Value			Unit
			Min.	Typ.	Max.	
Pulsed radiant power (Peak power)	Φ_{ep}	$I_{\text{fp}} = 35 \text{ A}$	80	100	—	W
Peak emission wavelength	λ_{p}		895	905	915	nm
Forward voltage	V_{op}		—	12	15	V
Spectral radiation half bandwidth	$\Delta\lambda$		—	6	10	nm
Rise time	t_{r}		—	—	2	ns
Beam spread angle	Horizontal	$I_{\text{fp}} = 35 \text{ A}$ FWHM	4	8	12	degree
	Vertical		θ_{\perp}	19	24	
Lasing threshold current	I_{th}	—	—	0.8	1.2	A
Emitting area size	—	Value at designing	—	360×10	—	$\mu\text{m} \times \mu\text{m}$

Note: General operating condition: pulse width $t_{\text{w}} = 50 \text{ ns}$, repetition frequency $f_{\text{r}} = 1 \text{ kHz}$

Pulsed Laser Diode L11854-336-05

Figure 1: Radiant flux vs. Forward current (Typ.)

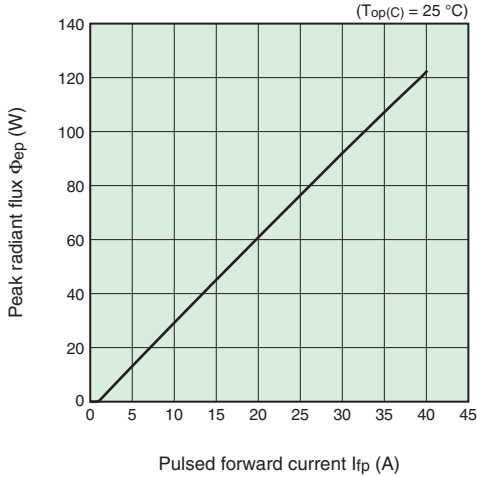


Figure 2: Emission spectrum (Typ.)

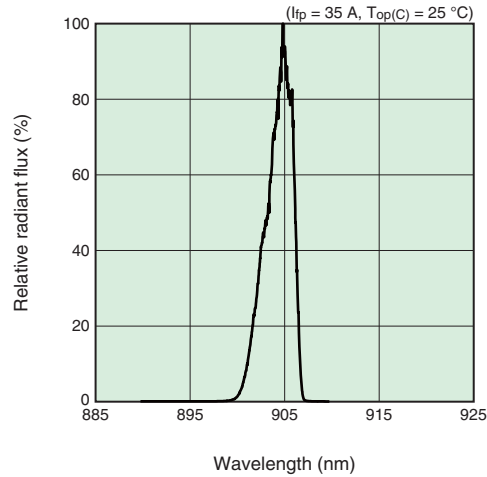


Figure 3: Directivity (Typ.)

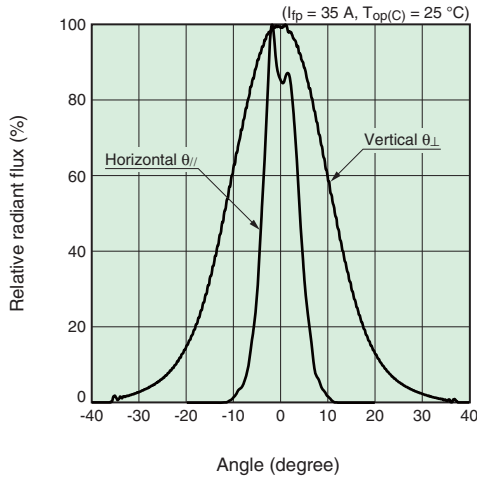


Figure 4: Emitting image of near filed pattern (NFP)

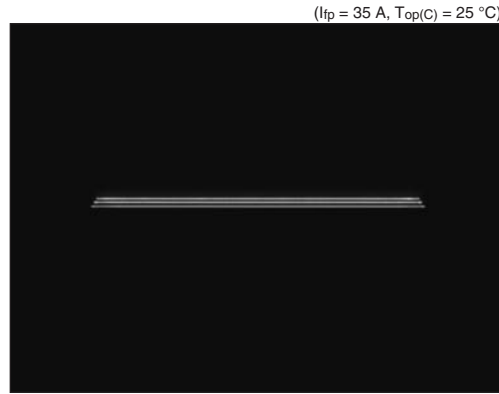
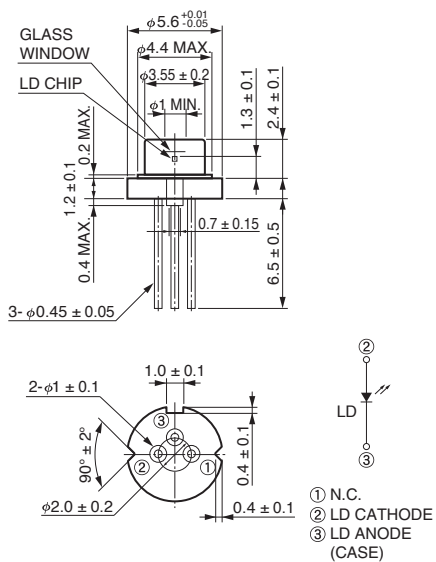
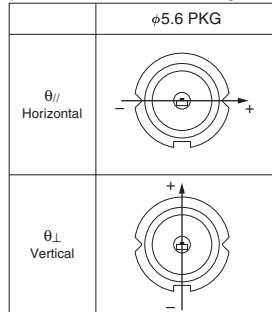


Figure 5: Dimensional outline (unit: mm)



Directions of far field patterns (FFP), parallel and vertical direction against at can package. (Front of view)



HAMAMATSU PHOTONICS K.K. www.hamamatsu.com

HAMAMATSU PHOTONICS K.K., Laser Promotion Division, Business Promotion G.

1-8-3, Shinmiyakoda, Kita-ku, Hamamatsu City, Shizuoka, 431-2103, Japan, Telephone: (81)53-484-1301, Fax: (81)53-484-1302, E-mail: sales-laser@lpd.hpk.co.jp

U.S.A.: Hamamatsu Corporation: 360 Foothill Road, Bridgewater, NJ 08807, U.S.A., Telephone: (1)908-231-0960, Fax: (1)908-231-1218 E-mail: usa@hamamatsu.com

Germany: Hamamatsu Photonics Deutschland GmbH: Arzbergerstr. 10, D-82211 Herrsching am Ammersee, Germany, Telephone: (49)8152-375-0, Fax: (49)8152-265-8 E-mail: info@hamamatsu.de

France: Hamamatsu Photonics France S.A.R.L.: 19, Rue du Saule Trapu, Parc du Moulin de Massy, 91882 Massy Cedex, France, Telephone: (33)1 69 53 71 00, Fax: (33)1 69 53 71 10 E-mail: infos@hamamatsu.fr

United Kingdom: Hamamatsu Photonics UK Limited: 2 Howard Court, 10 Tewin Road, Welwyn Garden City, Hertfordshire AL7 1BW, UK, Telephone: (44)1707-294888, Fax: (44)1707-325777 E-mail: info@hamamatsu.co.uk

North Europe: Hamamatsu Photonics Norden AB: Torshamnsgatan 35 16440 Kista, Sweden, Telephone: (46)8-509 031 00, Fax: (46)8-509 031 01 E-mail: info@hamamatsu.se

Italy: Hamamatsu Photonics Italia S.r.l.: Strada della Moia, 1 int. 6, 20020 Arese (Milano), Italy, Telephone: (39)02-93 58 17 33, Fax: (39)02-93 58 17 41 E-mail: info@hamamatsu.it

China: Hamamatsu Photonics (China) Co., Ltd.: 1201 Tower B, Jianning Center, 27 Dongsanhuan Beilu, Chaoyang District, 100020 Beijing, China, Telephone: (86)10-6586-6006, Fax: (86)10-6586-2866 E-mail: hpc@hamamatsu.com.cn

Taiwan: Hamamatsu Photonics Taiwan Co., Ltd.: 8F-3, No.158, Section2, Gongdao 5th Road, East District, Hsinchu, 300, Taiwan R.O.C. Telephone: (886)03-659-0080, Fax: (886)03-659-0081 E-mail: info@hamamatsu.com.tw

Cat. No. LPLD2019E07
MAR. 2018 IP