

Driver circuits for CCD image sensor



C11287

C11288

Driver circuit for CCD image sensor (S10420/S11071 series)

The C11287 and C11288 are driver circuits designed for HAMAMATSU CCD image sensor S10420/S11071 series. The C11287 and C11288 can be used in spectrometer when combined with the S10420/S11071 series.

The C11287 and C11288 hold a CCD driver circuit, analog video signal processing circuit (14-bit A/D converter), timing generator, control circuit and power supply. The C11287 and C11288 convert analog video signals from a CCD into digital signals and outputs them. The USB connector (USB 2.0) provided as a standard feature easily connects to a PC for the C11287 and C11288 control and data acquisition. The C11287 and C11288 also have a BNC connector for external trigger input and pulse output. The C11287 and C11288 are compact, lightweight and very easy to handle.

Application software (DCam-USB) that comes with the C11287 and C11288 allows easy operation from a PC running on Microsoft® Windows® 7 (32-bit, 64-bit)/10 (32-bit, 64-bit). DLL (DCamUSB.DLL) included with the application software. This software is available with DLL to help you develop your own software programs under various developmental environments.

Features

- Built-in 14-bit A/D converter
- Adjustable offset
- Adjustable gain
- Interface of computer: USB 2.0
- Power supply: USB bus power (C11287)
DC+5 V (C11288)

Applications

- Spectrometer
- Control of CCD image sensor
(S10420/S11071 series) and data acquisition

Note) Microsoft and Windows are either registered trademarks or trademarks of Microsoft Corporation in the United States and/or other countries.

The table below shows CCD image sensor applicable for the C11287/C11288.

Since the C11287 and C11288 do not include a CCD image sensor, so select the desired sensor and order it separately.

Type no.	CCD area image sensor				
	Type no.	Number of pixels	Number of active pixels	Pixel size (μm)	Active area [mm (H) × mm (V)]
C11287	S10420-1004-01	1044 × 22	1024 × 16	14 × 14	14.336 × 0.224
	S10420-1006-01	1044 × 70	1024 × 64		14.336 × 0.896
	S10420-1104-01	2068 × 22	2048 × 16		28.672 × 0.224
	S10420-1106-01	2068 × 70	2048 × 64		28.672 × 0.896
C11288	S11071-1004	1044 × 22	1024 × 16	14 × 14	14.336 × 0.224
	S11071-1006	1044 × 70	1024 × 64		14.336 × 0.896
	S11071-1104	2068 × 22	2048 × 16		28.672 × 0.224
	S11071-1106	2068 × 70	2048 × 64		28.672 × 0.896

Structure

Parameter	Specification	Unit
Output type	Digital	-
A/D resolution	14	bit
Interface	USB 2.0	-

Absolute maximum ratings

Parameter	Symbol	Condition	Value	Unit
Supply voltage	Vdd	Ta=25 °C	0 to +6.0	V
Input signal voltage *1	Vi	Ta=25 °C	0 to +Vdd	V
Operating temperature	Topr	No dew condensation*2	0 to +50	°C
Storage temperature	Tstg	No dew condensation*2	-20 to +70	°C

*1: Trigger input

*2: When there is a temperature difference between a product and the surrounding area in high humidity environment, dew condensation may occur on the product surface. Dew condensation on the product may cause deterioration in characteristics and reliability.

Note: Exceeding the absolute maximum ratings even momentarily may cause a drop in product quality. Always be sure to use the product within the absolute maximum ratings.

Recommended driver conditions (Ta=25 °C)

Parameter	Symbol	Condition	Min.	Typ.	Max.	Unit
Trigger output voltage	High level	Vdd=+5V	3.8	-	Vdd	V
	Low level		-	-	0.6	V
Trigger input voltage	High level	Vdd=+5V	+3.5	-	Vdd	V
	Low level		-	-	1.5	V
Operating voltage	-	C11287: 360 mA typ. C11288: 650 mA typ.	+4.5	+5.0	+5.5	V

Electrical characteristics (Ta=25 °C)

Parameter	Symbol	Image sensors	C11287			C11288			Unit
			Min.	Typ.	Max.	Min.	Typ.	Max.	
Readout frequency	fop		-	250k	-	-	4M	-	Hz
Conversion gain (Gain=1)	Gc		-	12.2	-	-	12.2	-	e ⁻ /ADU
Frame readout time	-	S10420-1004-01	-	4.8	-	-			ms
	-	S10420-1006-01	-	5.7	-				
	-	S10420-1104-01	-	8.9	-				
	-	S10420-1106-01	-	9.8	-				
	-	S11071-1004	-			-	0.62	-	
	-	S11071-1006				-	1.58	-	
	-	S11071-1104				-	0.79	-	
-	S11071-1106	-				1.75	-		
Data transfer time	-	S10420-1004-01	-	4.3	-	-			ms
	-	S10420-1006-01	-	4.3	-				
	-	S10420-1104-01	-	8.4	-				
	-	S10420-1106-01	-	8.4	-				
	-	S11071-1004	-			-	0.22	-	
	-	S11071-1006				-	0.22	-	
	-	S11071-1104				-	0.44	-	
-	S11071-1106	-				0.44	-		
Total transfer time	-	S10420-1004-01	-	4.8	-	-			ms
	-	S10420-1006-01	-	5.7	-				
	-	S10420-1104-01	-	8.9	-				
	-	S10420-1106-01	-	9.8	-				
	-	S11071-1004	-			-	0.84	-	
	-	S11071-1006				-	1.80	-	
	-	S11071-1104				-	1.23	-	
-	S11071-1106	-				2.19	-		
Current consumption	Ic	S10420-1106-01	-	360	400	-			mA
		S11071-1106	-	-	-	-	650	700	

Electrical and optical characteristics (Ta=25 °C)

Parameter	Symbol	Condition	C11287			C11288			Unit
			Min.	Typ.	Max.	Min.	Typ.	Max.	
Readout noise	Nr		-	3	-	-	7	-	ADU rms
Dynamic range	DR		-	5461	-	-	2730	-	-

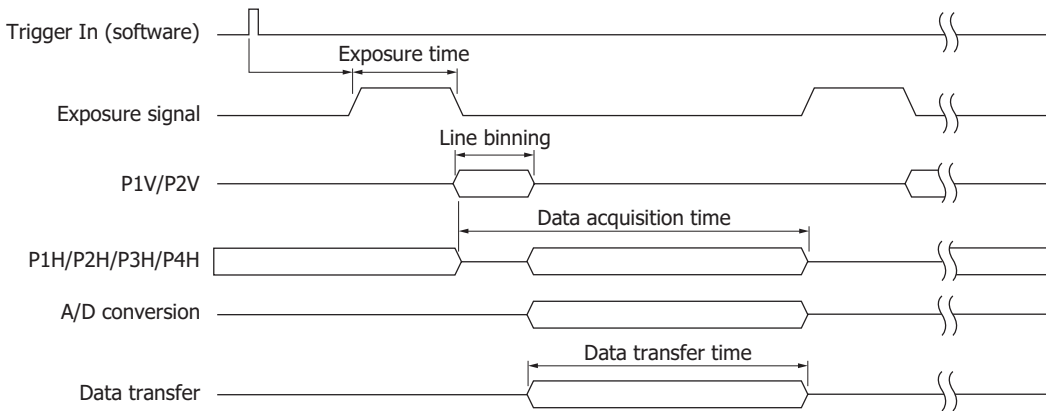
Functions

Parameter		Specification
Operating mode setting	Suspend mode (LED-off)	The power supply is turned off.
	Standby mode (LED-white)	It is Standby state, in which the data acquisition is possible.
	Data transfer mode (LED-green, aqua, blue)	In this mode, the driver circuit sends the data to PC.
Selectable data acquisition modes	Internal synchronous mode ("INT" mode)	Data is acquired on the basis of the trigger timing generated by application software.
	External synchronous mode 1 ("EXT.EDGE" mode)	Data is acquired in synchronization with the external trigger signal input from the BNC connector. In synchronization with an edge of the external trigger signal, data is accumulated for the set integration time and is then output.
	External synchronous mode 2 ("EXT.LEVEL" mode)	Data is acquired in synchronization with the external trigger signal input from the BNC connector. Data is accumulated for a period equal to the pulse width of the external trigger signal and is then output.
Gain adjustment		The gain value can be varied in the range of "1 to 10" with the step of 1. Default value is "1".
Offset adjustment		The offset value can be varied in the range of "0 to 1020" with the step of 4. Default value is "40".
Pulse output signal setting		It is possible to set the timing of the pulse output signal that is output from the "BNC connector for pulse output" of the driver circuit.

Timing chart

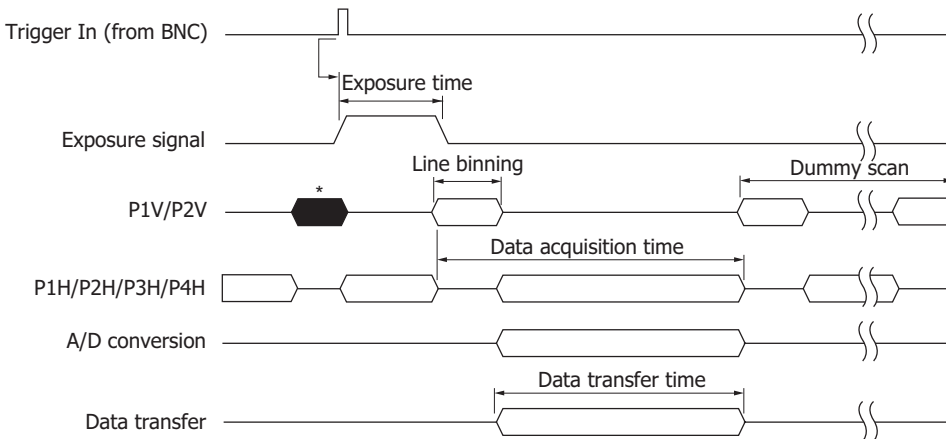
C11287

■ Internal synchronous mode ("INT" mode)



KACCC0436EA

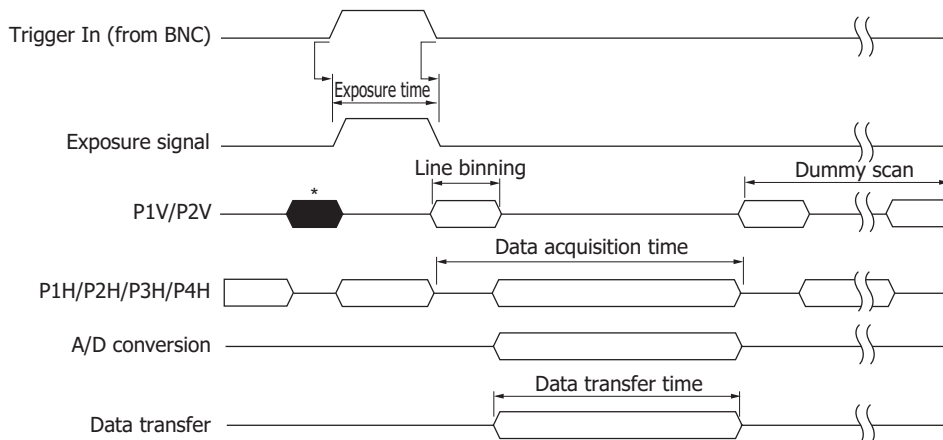
■ External synchronous mode 1 ("EXT.EDGE" mode)



* When an external trigger signal is input, accumulation is started immediately.

KACCC0437EA

■ External synchronous mode 2 ("EXT.LEVEL" mode)

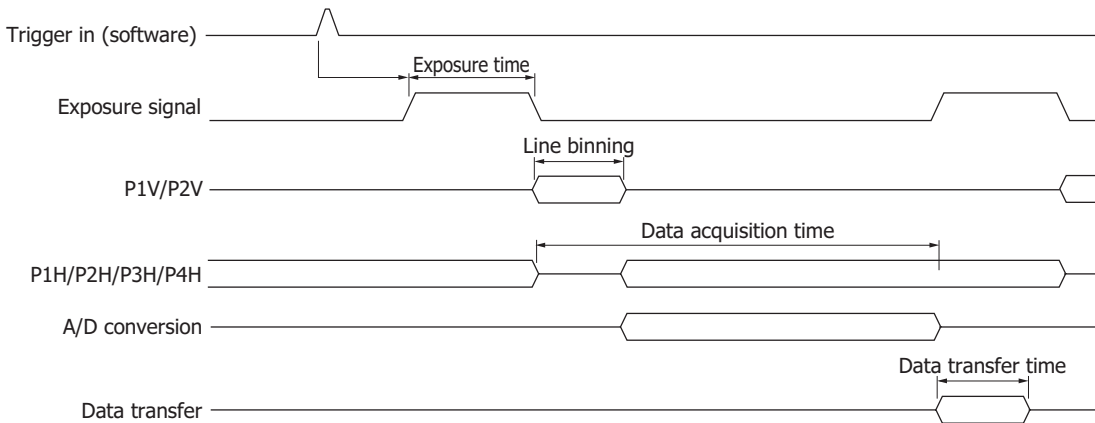


* When an external trigger signal is input, accumulation is started immediately.

KACCC0438EA

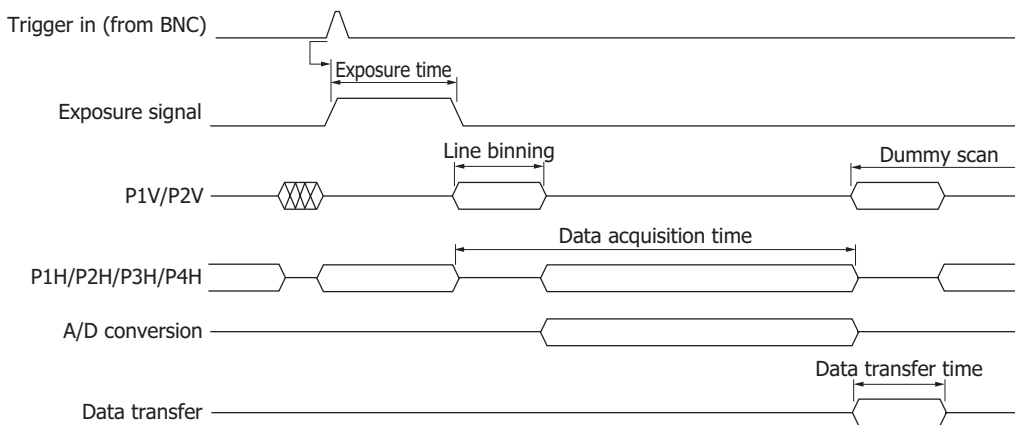
C11288

■ Internal synchronous mode ("INT" mode)



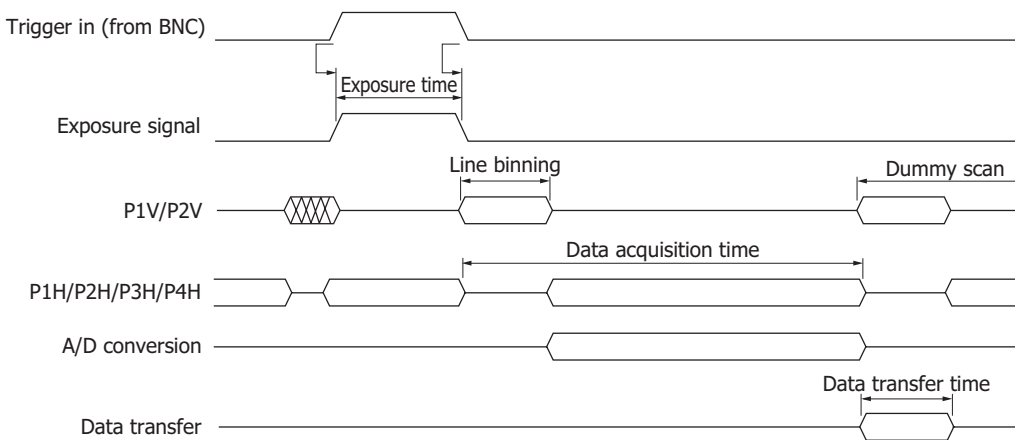
KACCC0521EA

■ External synchronous mode 1 ("EXT.EDGE" mode)



KACCC0522EB

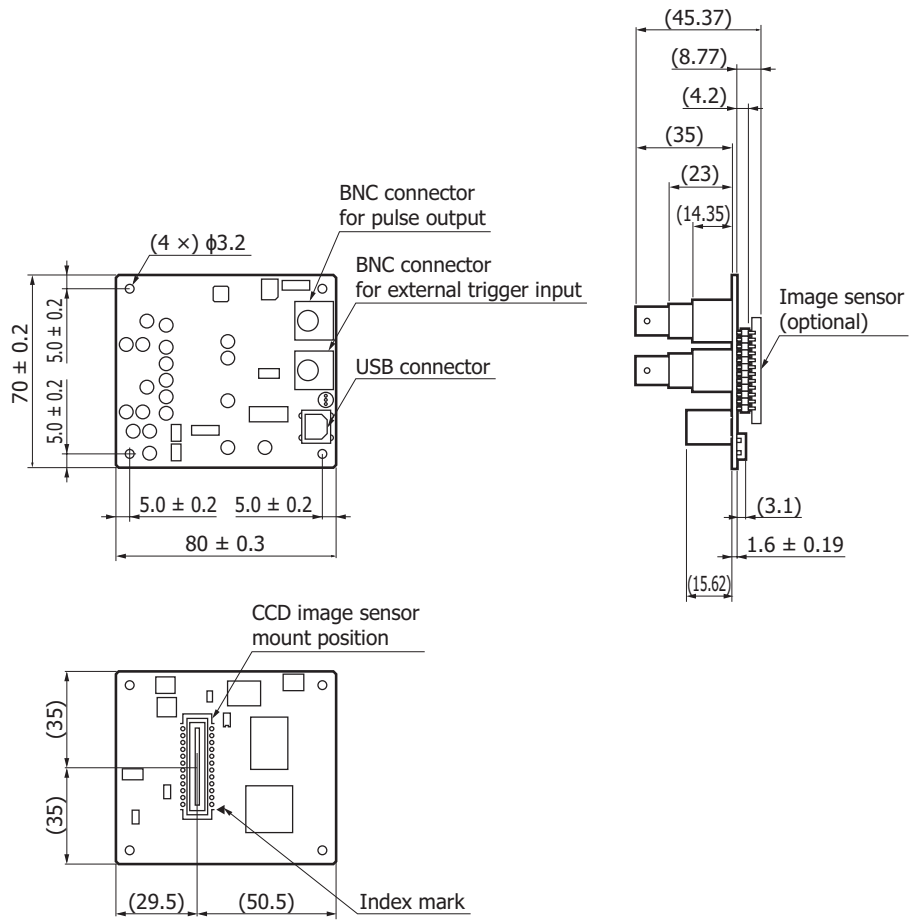
■ External synchronous mode 2 ("EXT.LEVEL" mode)



KACCC0523EB

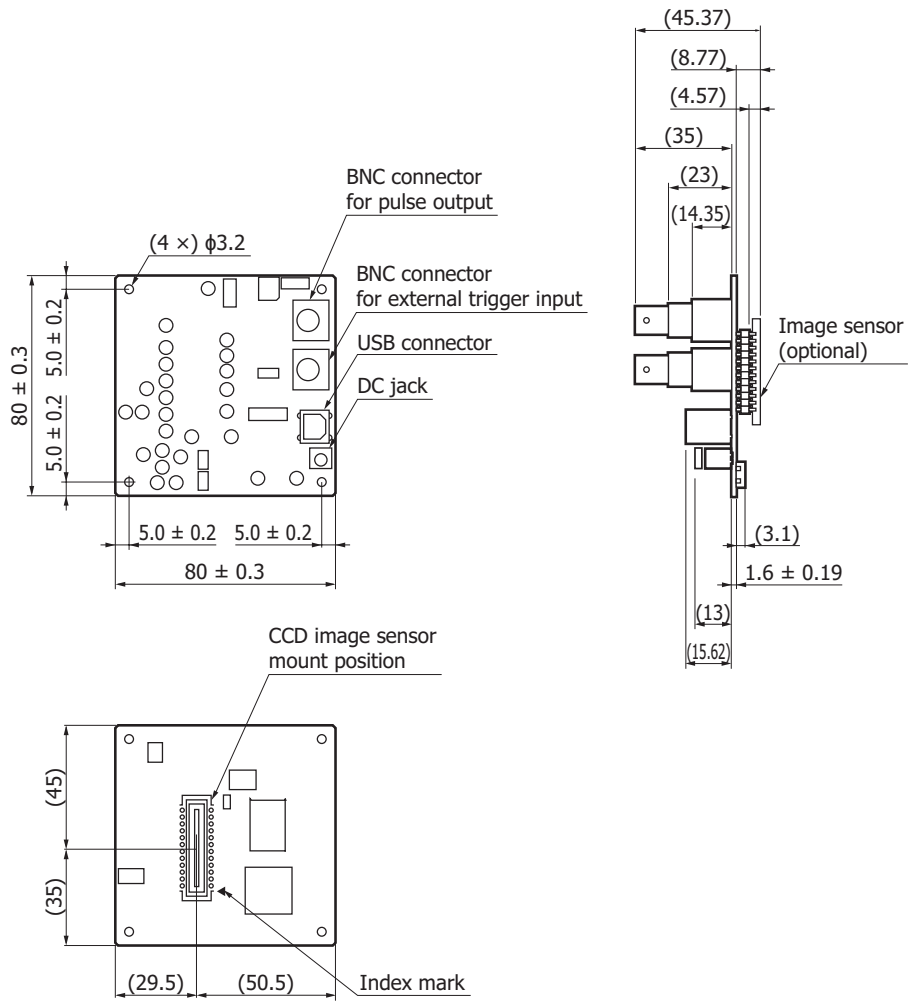
Dimensional outlines (unit: mm)

C11287



KACCC0232EB

C11288

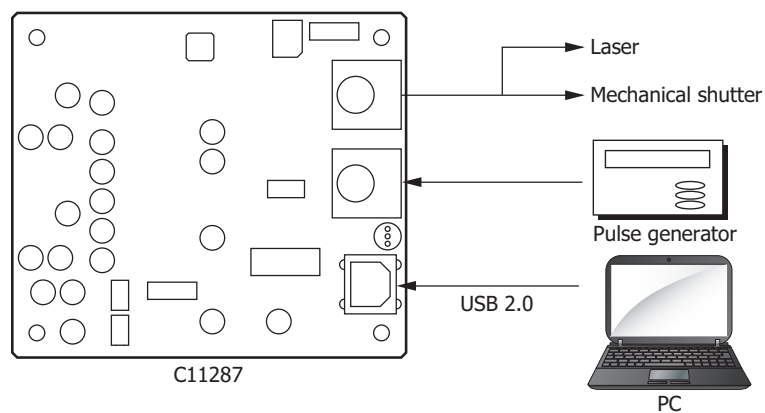


KACCC0271EB

Connection examples

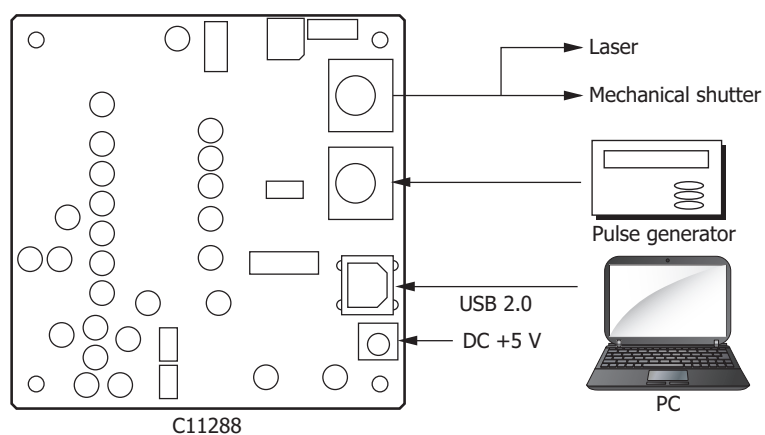
Refer to the following diagram to connect hardware peripherals.

C11287



KACCC0509EB

C11288



KACCC0520EB

Accessories

- CD-ROM (instruction manual, application software, SDK)
- USB cable
- AC adapter (C11288)

Related information

www.hamamatsu.com/sp/ssd/doc_en.html

- Precautions
- Disclaimer
- Image sensors

Information described in this material is current as of June 2019.

Product specifications are subject to change without prior notice due to improvements or other reasons. This document has been carefully prepared and the information contained is believed to be accurate. In rare cases, however, there may be inaccuracies such as text errors. Before using these products, always contact us for the delivery specification sheet to check the latest specifications.

The product warranty is valid for one year after delivery and is limited to product repair or replacement for defects discovered and reported to us within that one year period. However, even if within the warranty period we accept absolutely no liability for any loss caused by natural disasters or improper product use. Copying or reprinting the contents described in this material in whole or in part is prohibited without our prior permission.

HAMAMATSU

www.hamamatsu.com

HAMAMATSU PHOTONICS K.K., Solid State Division

1126-1 Ichino-cho, Higashi-ku, Hamamatsu City, 435-8558 Japan, Telephone: (81)53-434-3311, Fax: (81)53-434-5184

U.S.A.: Hamamatsu Corporation: 360 Foothill Road, Bridgewater, N.J. 08907, U.S.A., Telephone: (1)908-231-0960, Fax: (1)908-231-1218, E-mail: usa@hamamatsu.com

Germany: Hamamatsu Photonics Deutschland GmbH: Arzbergerstr. 10, D-82211 Herrsching am Ammersee, Germany, Telephone: (49)8152-375-0, Fax: (49)8152-265-8, E-mail: info@hamamatsu.de

France: Hamamatsu Photonics France S.A.R.L.: 19, Rue du Saule Trapu, Parc du Moulin de Massy, 91882 Massy Cedex, France, Telephone: (33)1 69 53 71 00, Fax: (33)1 69 53 71 10, E-mail: infos@hamamatsu.fr

United Kingdom: Hamamatsu Photonics UK Limited: 2 Howard Court, 10 Tewin Road, Welwyn Garden City, Hertfordshire AL7 1BW, United Kingdom, Telephone: (44)1707-294888, Fax: (44)1707-325777, E-mail: info@hamamatsu.co.uk

North Europe: Hamamatsu Photonics Norden AB: Torshamnsgatan 35 16440 Kista, Sweden, Telephone: (46)8-509 031 00, Fax: (46)8-509 031 01, E-mail: info@hamamatsu.se

Italy: Hamamatsu Photonics Italia S.r.l.: Strada della Moia, 1 int. 6, 20020 Arese (Milano), Italy, Telephone: (39)02-93 58 17 33, Fax: (39)02-93 58 17 41, E-mail: info@hamamatsu.it

China: Hamamatsu Photonics (China) Co., Ltd.: B1201, Jiaming Center, No.27 Dongsanhuan Beilu, Chaoyang District, 100020 Beijing, P.R.China, Telephone: (86)10-6586-6006, Fax: (86)10-6586-2866, E-mail: hpc@hamamatsu.com.cn

Taiwan: Hamamatsu Photonics Taiwan Co., Ltd.: 8F-3, No. 158, Section2, Gongdao 5th Road, East District, Hsinchu, 300, Taiwan R.O.C. Telephone: (886)3-659-0080, Fax: (886)3-659-0081, E-mail: info@hamamatsu.com.tw