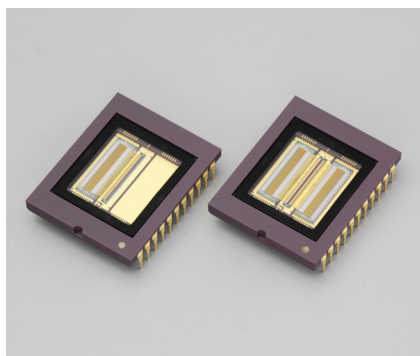


InGaAs linear image sensors



G11608 series

Wide spectral response range, near infrared image sensors (0.5 to 1.7 μm)

The G11608 series InGaAs linear image sensors are specifically designed for near infrared multichannel spectrophotometry. The G11608 series consists of an InGaAs photodiode array with enhanced sensitivity at shorter wavelengths, and CMOS chip that contains a charge amplifier array, a shift register, and a timing generator. The charge amplifier array is made up of CMOS transistors connected to each pixel of the InGaAs photodiode array. Signals from each pixel are read out in charge integration mode to achieve high sensitivity and stable operation.

The signal processing circuit on the CMOS chip offers two levels of conversion efficiency (CE) that can be selected by the external voltage to meet the application.

Features

- Wide spectral response range (0.5 to 1.7 μm)
- Low noise
- Two selectable conversion efficiencies
- Anti-saturation circuit
- CDS (correlated double sampling) circuit*1
- Built-in thermistor
- Simple operation (by built-in timing generator)*2
- High resolution: 25 μm pitch (G11608-512DA)

Applications

- Near infrared multichannel spectrophotometry
- Radiation thermometry
- Non-destructive inspection

*1: A major source of noise in charge amplifiers is the reset noise generated when the integration capacitance is reset. A CDS (correlated double sampling) circuit greatly reduces this reset noise by holding the signal immediately after reset to find the noise differential.

*2: Different signal timings must be properly set in order to operate a shift register. In conventional image sensor operation, external PLDs (programmable logic device) are used to input the required timing signals. However, the G11608 series image sensors internally generate all timing signals on the CMOS chip just by supplying CLK and RESET pulses. This makes it simple to set the timings.

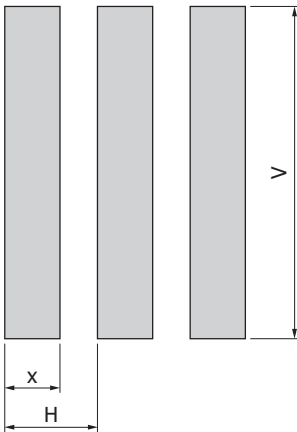
Selection guide

Type no.	Cooling	Image area (mm)	Number of total pixels	Number of effective pixels
G11608-256DA	Non-cooled	12.8 × 0.50	256	256
G11608-512DA			512	512

Structure

Type no.	Pixel size [μm (H) × μm (V)]	Pixel pitch (μm)	Package	Window material
G11608-256DA	50 × 500	50	22-pin ceramic	Borosilicate glass without anti-reflective coating
G11608-512DA	25 × 500	25		

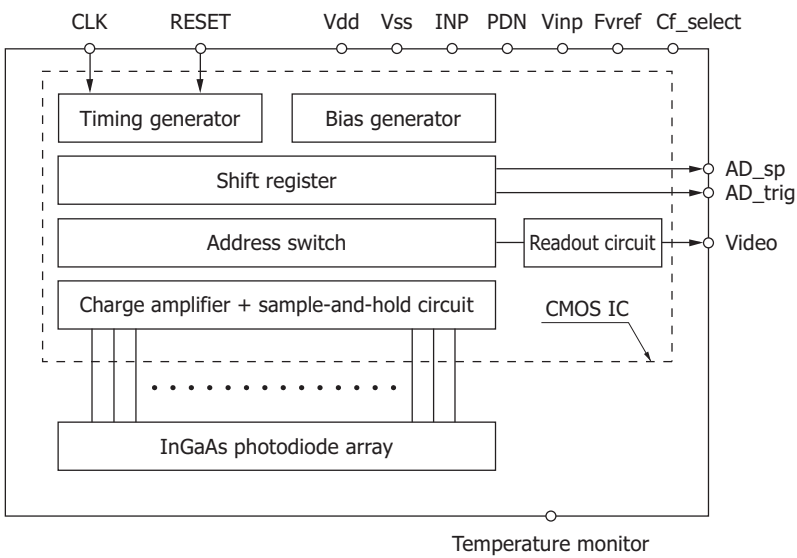
Details of photosensitive area (unit: μm)



Number of pixels	x	H	V
256	30	50	500
512	10	25	500

KMIRC0057EA

Block diagram



KMIRC0058EA

➤ Absolute maximum ratings

Parameter	Symbol	Condition	Min.	Typ.	Max.	Unit
Supply voltage	Vdd, INP, Fvref Vinp, PDN	Ta=25 °C	-0.3	-	+6	V
Clock pulse voltage	Vφ	Ta=25 °C	-0.3	-	+6	V
Reset pulse voltage	V(RES)	Ta=25 °C	-0.3	-	+6	V
Gain selection terminal voltage	Vcfsel	Ta=25 °C	-0.3	-	+6	V
Operating temperature*3	Topr	Non dew condensation	-10	-	+60	°C
Storage temperature*3	Tstg	Non dew condensation	-20	-	+70	°C
Soldering conditions	-		260 °C or less, within 5 s			-
Thermistor power dissipation	Pth		-	-	400	mW

Note: Exceeding the absolute maximum ratings even momentarily may cause a drop in product quality. Always be sure to use the product within the absolute maximum ratings.

*3: When there is a temperature difference between a product and the surrounding area in high humidity environment, dew condensation may occur on the product surface. Dew condensation on the product may cause deterioration in characteristics and reliability.

➤ Recommended terminal voltage (Ta=25 °C)

Parameter	Symbol	Min.	Typ.	Max.	Unit	
Supply voltage	Vdd	4.7	5.0	5.3	V	
Differential reference voltage	Fvref	1.1	1.2	1.3	V	
Video line reset voltage	Vinp	3.9	4.0	4.1	V	
Input stage amplifier reference voltage	INP	3.9	4.0	4.1	V	
Photodiode cathode voltage	PDN	3.9	4.0	4.1	V	
Ground	GND	-	0	-	V	
Clock pulse voltage	High	Vφ	4.7	5.0	5.3	V
	Low		0	0	0.4	
Reset pulse voltage	High	V(RES)	4.7	5.0	5.3	V
	Low		0	0	0.3	

➤ Electrical characteristics (Ta=25 °C)

Parameter	Symbol	Min.	Typ.	Max.	Unit	
Consumption current	G11608-512DA G11608-256DA	I(Vdd)	-	45 85	80 120	mA
		Ifvref	-	-	1	
		Ivinp	-	-	1	
		Iinp	-	-	1	
		Ipdn	-	-	1	
Operation frequency	fop	0.1	1	5	MHz	
Video data rate	DR	0.1	f	5	MHz	
Video output voltage	High	VH	-	4.0	-	V
	Low	VL	-	1.2	-	V
Output offset voltage	Vos	-	Fvref	-	V	
Output impedance	Zo	-	5	-	kΩ	
AD_trig, AD_sp pulse voltage	High	Vtrig, Vsp	-	Vdd	-	V
	Low		-	GND	-	
Thermistor resistance	Rth	9.0	10.0	11.0	kΩ	
Thermistor B constant*4	B	-	3950	-	K	

*4: T₁=25 °C, T₂=50 °C

Electrical and optical characteristics (Ta=25 °C, Vdd=5 V, INP=Vinp=PDN=4 V, Fvref=1.2 V, Vφ=5 V, f=1 MHz)

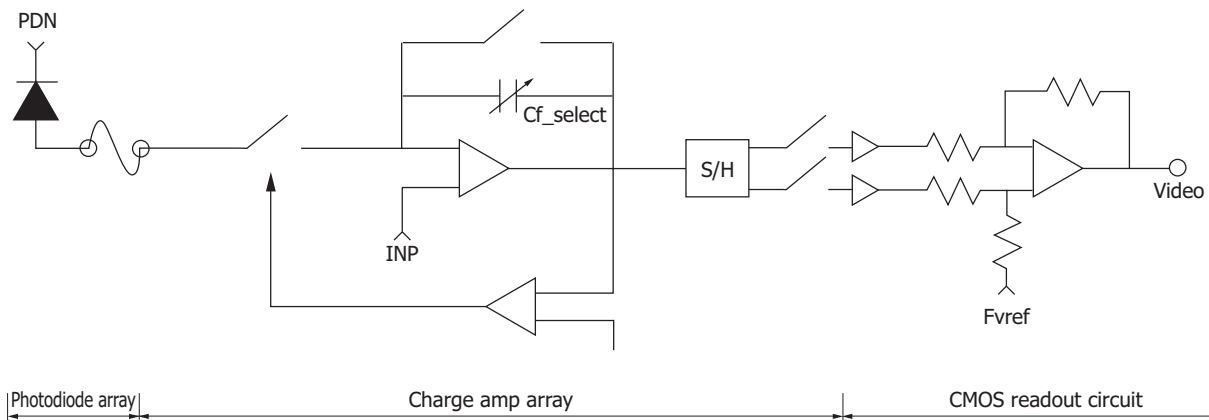
Parameter	Symbol	Condition	Min.	Typ.	Max.	Unit	
Spectral response range	λ		-	0.5 to 1.7	-	μm	
Peak sensitivity wavelength	λ_p		-	1.55	-	μm	
Photo sensitivity	S	$\lambda=\lambda_p$	0.8	1.0	-	A/W	
Conversion efficiency*5	CE	Cf=10 pF	-	16	-	nV/e ⁻	
		Cf=1 pF	-	160	-		
Photoresponse nonuniformity*6	PRNU		-	±3	±5	%	
Saturation charge	Qsat	CE=16 nV/e ⁻	168	175	-	Me ⁻	
		CE=160 nV/e ⁻	16.8	17.5	-		
Saturation voltage	Vsat		2.7	2.8	-	V	
Dark output	G11608-256DA	V _D	CE=16 nV/e ⁻	-1	±0.1	1	V/s
	G11608-512DA			-0.5	±0.05	0.5	
Dark current	G11608-256DA	I _D	CE=16 nV/e ⁻	-10	±1	10	pA
	G11608-512DA			-5	±0.5	5	
Temperature coefficient of dark output (dark current)	-	CE=16 nV/e ⁻	-	1.1	-	times/°C	
Readout noise*7	N	CE=16 nV/e ⁻	-	200	400	μVrms	
		CE=160 nV/e ⁻	-	300	500		
Dynamic range	D	CE=16 nV/e ⁻	6750	14000	-	-	
Defective pixels*8	-	CE=16 nV/e ⁻	-	-	1	%	

*5: Refer to pin connection when changing conversion efficiency.

*6: 50% of saturation, integration time 10 ms, after dark output subtraction, excluding first and last pixels

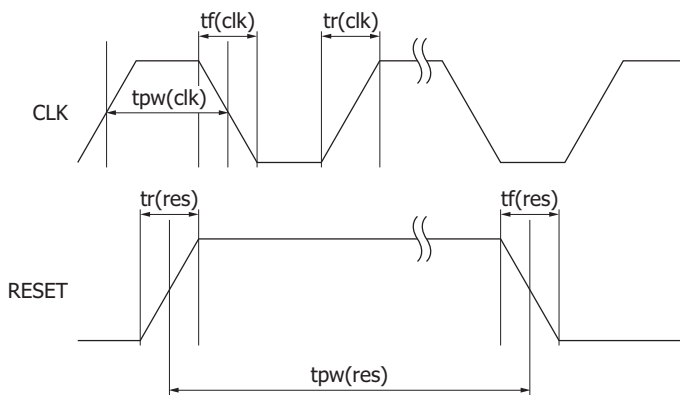
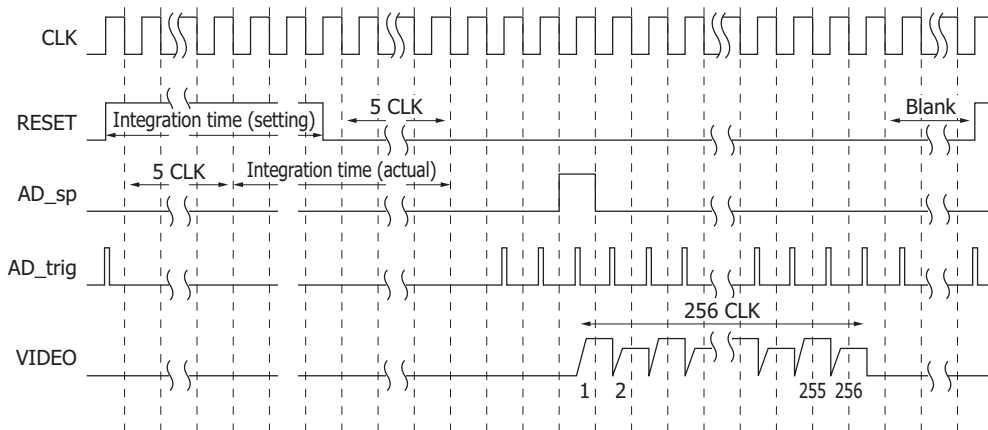
*7: Integration time=10 ms (CE=16nV/e⁻), 1 ms (CE=160 nV/e⁻)

*8: Pixels with photoresponse nonuniformity, readout noise, or dark current higher than the maximum value

Equivalent circuit


KMIRC0049EA

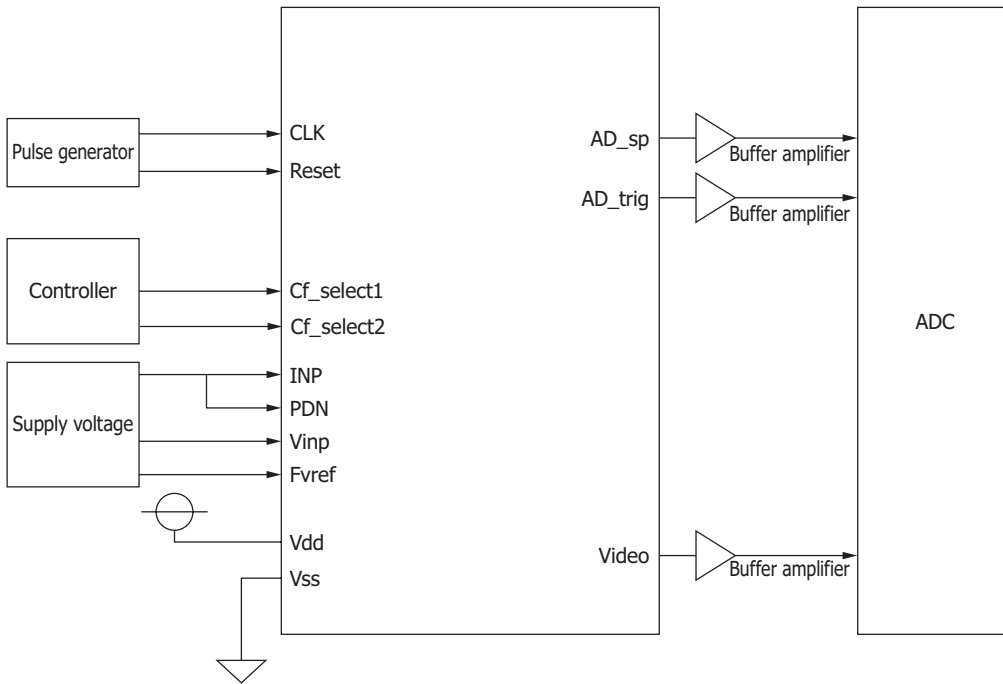
Timing chart (each video line)



KMIRC0065EA

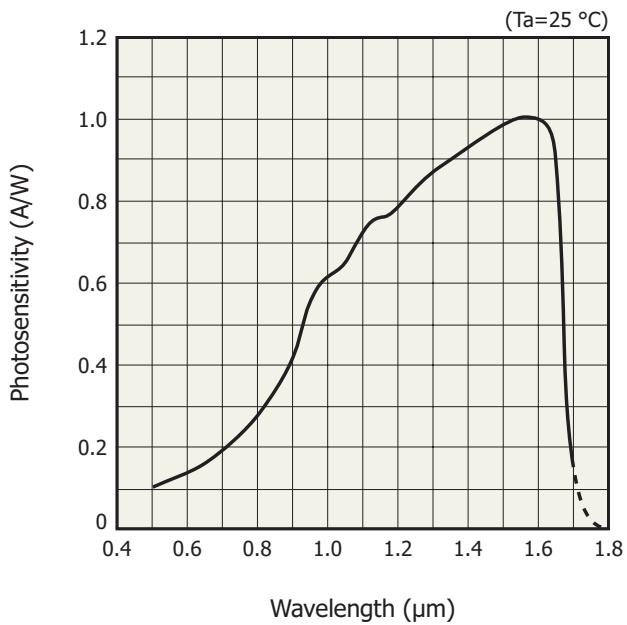
Parameter	Symbol	Min.	Typ.	Max.	Unit	
Clock pulse width	$tpw(clk)$	60	500	5000	ns	
Clock pulse rise/fall times	$tr(clk), tf(clk)$	0	20	30	ns	
Reset pulse width	High Low	$tpw(res)$	6	-	-	clocks
			284	-	-	
Reset pulse rise/fall times	$tr(res), tf(res)$	0	20	30	ns	

Connection example



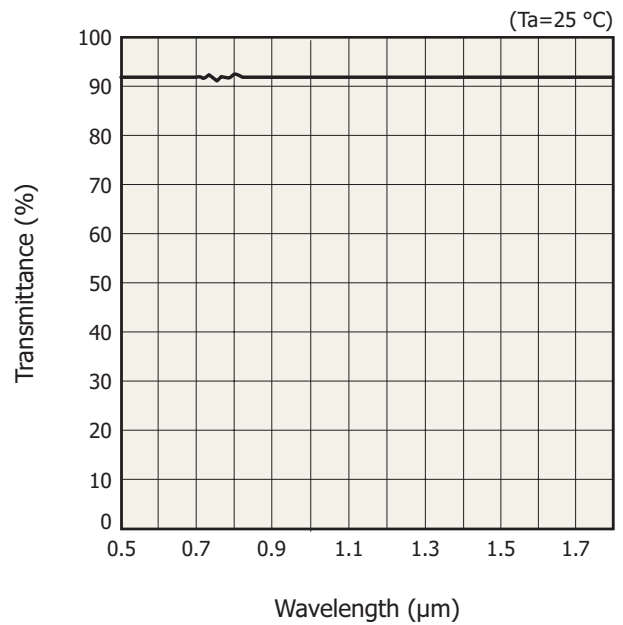
KMIRC0056EB

Spectral response (typical example)



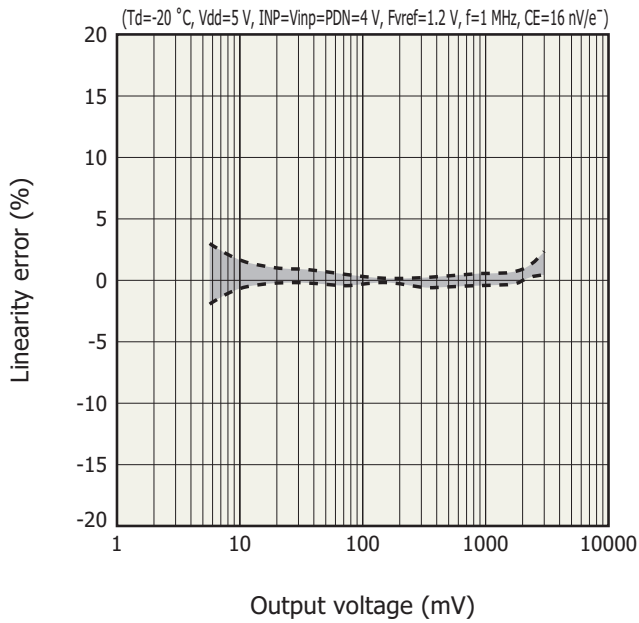
KMIRB0057EC

Spectral transmittance characteristic of window material (typical example)

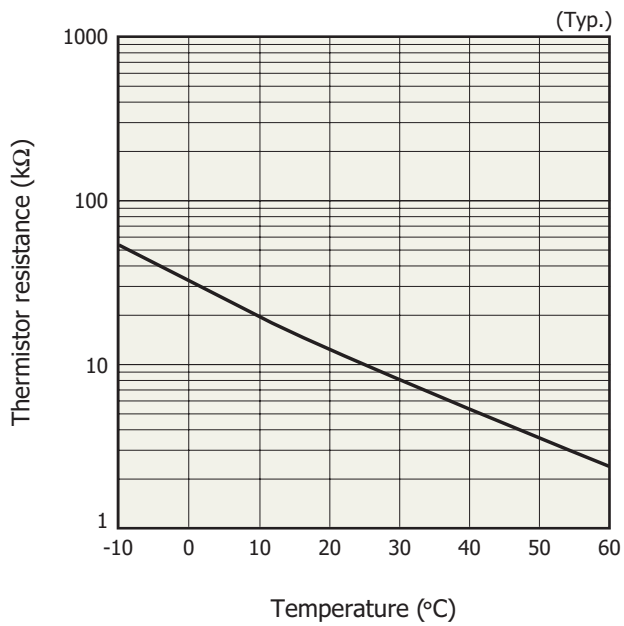


KMIRB0058EA

Linearity error



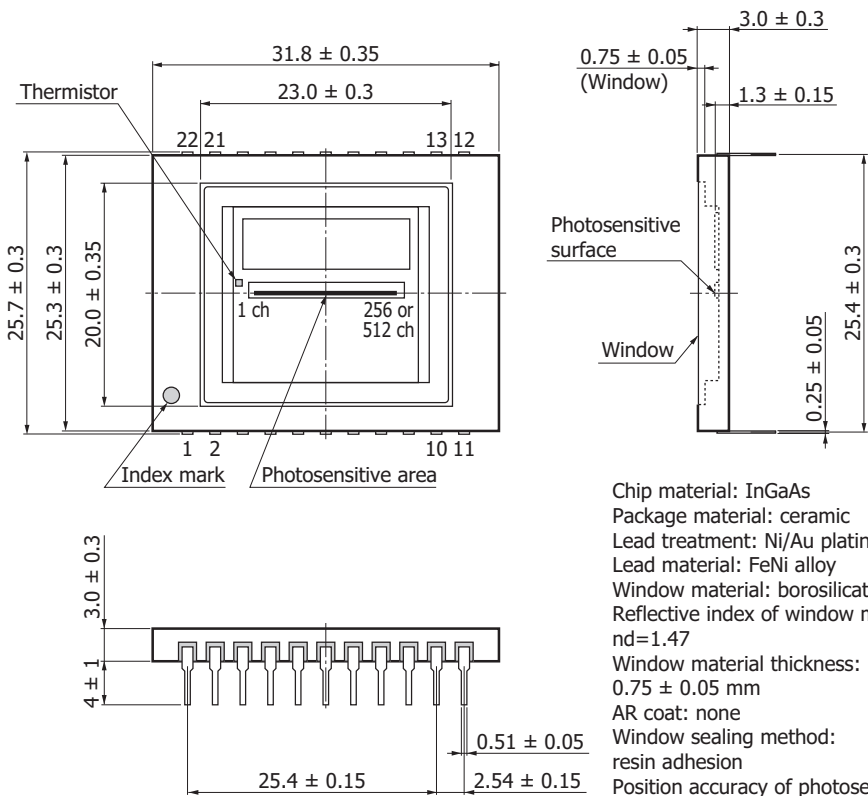
Temperature characteristics of thermistor



Temperature (°C)	Thermistor resistance (k Ω)
-10	53.0
-5	41.2
0	32.1
5	25.1
10	19.8
15	15.7
20	12.5
25	10.0
30	8.06
35	6.53
40	5.32
45	4.36
50	3.59
55	2.97
60	2.47

KMIRB0059EA

Dimensional outline (unit: mm)



Chip material: InGaAs
 Package material: ceramic
 Lead treatment: Ni/Au plating
 Lead material: FeNi alloy
 Window material: borosilicate glass
 Reflective index of window material: $n_d=1.47$
 Window material thickness: 0.75 ± 0.05 mm
 AR coat: none
 Window sealing method: resin adhesion
 Position accuracy of photosensitive area center: ± 0.3 (with respect to package center)
 Rotation accuracy of photosensitive area: $\pm 5^\circ$ (with respect to package center)

Pin no.	G11608-256DA	G11608-512DA
1	NC	AD_sp_EVEN
2	NC	RESET_EVEN
3	NC	AD_trig_EVEN
4	NC	NC
5	Cf_select2	Cf_select2
6	Cf_select1	Cf_select1
7	Thermistor	Thermistor
8	Thermistor	Thermistor
9	NC	CLK_EVEN
10	Fvref	Fvref
11	NC	VIDEO_EVEN
12	VIDEO	VIDEO_ODD
13	Vinp	Vinp
14	CLK	CLK_ODD
15	PDN*	PDN*
16	INP*	INP*
17	GND	GND
18	Vdd	Vdd
19	NC	NC
20	AD_trig	AD_trig_ODD
21	RESET	RESET_ODD
22	AD_sp	AD_sp_ODD

* PDN and INP should be at the same potential. It is recommended to use the same power source and short between their pins

KMIRA0024EB

Pin connections

Terminal name	Input/Output	Function and recommended connection	Remark
PDN	Input	Cathode bias terminal for InGaAs photodiode. This should be at the same potential as INP.	4.0 V
AD_sp	Output	Digital start signal for A/D conversion	0 to 5 V
Cf_select1, 2	Input**8	Signal for selecting feedback capacitance (integration capacitance) on CMOS chip	0 V or 5 V
Thermistor	Output	Thermistor for monitoring temperature inside the package	-
AD_trig	Output	Sampling synchronous signal for A/D conversion	0 to 5 V
RESET	Input	Reset pulse for initializing the feedback capacitance in the charge amplifier formed in the CMOS chip. Integration time is determined by the high period of this pulse.	0 to 5 V
CLK	Input	Clock pulse for operating the CMOS shift register	0 to 5 V
INP	Input	Input stage amplifier reference voltage. Supply voltage for operating the signal processing circuit in the CMOS chip. This should be at the same potential as PDN.	4.0 V
Vinp	Input	Video line reset voltage. Supply voltage for operating the signal processing circuit in the CMOS chip.	4.0 V
Fvref	Input	Differential amplifier reference voltage. Supply voltage for operating the signal processing circuit in the CMOS chip.	1.2 V
VIDEO	Output	Differential amplifier output. Analog video signal.	1.2 to 3.0 V
Vdd	Input	Supply voltage for operating the signal processing circuit in the CMOS chip (+5 V)	5 V
GND	Input	Grand for the signal processing circuit in the CMOS chip (0 V)	0 V

**8: Conversion efficiency is determined by supply voltage to the Cf_select terminals as shown below.

Conversion efficiency	Cf_select1	Cf_select2
16 nV/e ⁻ (Cf=10 pF)	High	High
160 nV/e ⁻ (Cf=1 pF)	High	Low

Low: 0 V (GND), High: 5 V(Vdd)

Electrostatic countermeasures

This device has a built-in protection circuit against static electrical charges. However, to prevent destroying the device with electrostatic charges, take countermeasures such as grounding yourself, the workbench and tools to prevent static discharges. Also protect this device from surge voltages which might be caused by peripheral equipment.

Related information

www.hamamatsu.com/sp/ssd/doc_en.html

■ Precautions

- Disclaimer
- Image sensors

Information described in this material is current as of November, 2017.

Product specifications are subject to change without prior notice due to improvements or other reasons. This document has been carefully prepared and the information contained is believed to be accurate. In rare cases, however, there may be inaccuracies such as text errors. Before using these products, always contact us for the delivery specification sheet to check the latest specifications.

The product warranty is valid for one year after delivery and is limited to product repair or replacement for defects discovered and reported to us within that one year period. However, even if within the warranty period we accept absolutely no liability for any loss caused by natural disasters or improper product use. Copying or reprinting the contents described in this material in whole or in part is prohibited without our prior permission.

HAMAMATSU

www.hamamatsu.com

HAMAMATSU PHOTONICS K.K., Solid State Division

1126-1 Ichino-cho, Higashi-ku, Hamamatsu City, 435-8558 Japan, Telephone: (81) 53-434-3311, Fax: (81) 53-434-5184

U.S.A.: Hamamatsu Corporation: 360 Foothill Road, Bridgewater, N.J. 08807, U.S.A., Telephone: (1) 908-231-0960, Fax: (1) 908-231-1218, E-mail: usa@hamamatsu.com

Germany: Hamamatsu Photonics Deutschland GmbH: Arzbergerstr. 10, D-82211 Herrsching am Ammersee, Germany, Telephone: (49) 8152-375-0, Fax: (49) 8152-265-8, E-mail: info@hamamatsu.de

France: Hamamatsu Photonics France S.A.R.L.: 19, Rue du Saule Trapu, Parc du Moulin de Massy, 91882 Massy Cedex, France, Telephone: 33-(1) 69 53 71 00, Fax: 33-(1) 69 53 71 10, E-mail: infos@hamamatsu.fr

United Kingdom: Hamamatsu Photonics UK Limited: 2 Howard Court, 10 Tewin Road, Welwyn Garden City, Hertfordshire AL7 1BW, United Kingdom, Telephone: (44) 1707-294888, Fax: (44) 1707-325777, E-mail: info@hamamatsu.co.uk

North Europe: Hamamatsu Photonics Norden AB: Torshamnsgatan 35 16440 Kista, Sweden, Telephone: (46)8-509 031 00, Fax: (46)8-509 031 01, E-mail: info@hamamatsu.se

Italy: Hamamatsu Photonics Italia S.r.l.: Strada della Moia, 1 int. 6, 20020 Arese (Milano), Italy, Telephone: (39)02-93 58 17 33, Fax: (39)02-93 58 17 41, E-mail: info@hamamatsu.it

China: Hamamatsu Photonics (China) Co., Ltd.: B1201, Jiaming Center, No.27 Dongsanhuan Beilu, Chaoyang District, Beijing 100020, China, Telephone: (86) 10-6586-6006, Fax: (86) 10-6586-2866, E-mail: hpc@hamamatsu.com.cn

Taiwan: Hamamatsu Photonics Taiwan Co., Ltd.: 8F-3, No. 158, Section2, Gongdao 5th Road, East District, Hsinchu, 300, Taiwan R.O.C. Telephone: (886)03-659-0080, Fax: (886)03-659-0081, E-mail: info@hamamatsu.com.tw