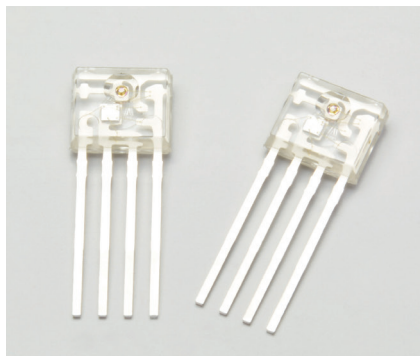


Photo IC for optical link

L12422-01SR



Transmitter photo IC for DC to 10 Mbps optical link

The L12422-01SR transmitter photo IC combines a 650 nm red LED, which is suitable for plastic optical fiber (POF) communication, and a drive IC. It has a mini molded lens suitable for coupling to the POF. It supports communication speeds ranging from DC to 10 Mbps.

Features

- Transmitter photo IC
- Peak emission wavelength: 650 nm
- Supports DC to 10 Mbps communication

Applications

- Data transmission in harsh, noisy environments, such as in FA, OA, and digital audio
- High-speed, short-distance data transmission

Absolute maximum ratings

Parameter	Symbol	Condition	Value	Unit
Supply voltage	V _{cc}		-0.5 to +4.0	V
Input voltage	V _{in}		-0.5 to V _{cc} + 0.5	V
Power dissipation*1	P _{max}		250	mW
Operating temperature	T _{opr}	No dew condensation*2	-20 to +85	°C
Storage temperature	T _{stg}	No dew condensation*2	-40 to +85	°C
Soldering conditions	T _{sol}		230 °C, within 5 s, at least 1.5 mm away from lead roots	-

*1: Power dissipation decreases at a rate of 1.75 mW/°C above T_a=25 °C.

*2: When there is a temperature difference between a product and the surrounding area in high humidity environment, dew condensation may occur on the product surface. Dew condensation on the product may cause deterioration in characteristics and reliability.

Note: Exceeding the absolute maximum ratings even momentarily may cause a drop in product quality. Always be sure to use the product within the absolute maximum ratings.

Recommended operating conditions

Parameter	Symbol	Min.	Typ.	Max.	Unit
Supply voltage	V _{cc}	3.135	3.3	3.465	V
High level input voltage	V _{ih}	2	-	V _{cc} + 0.3	V
Low level input voltage	V _{il}	-0.3	-	0.8	

Electrical and optical characteristics (Ta=25 °C, Vcc=3.135 to 3.465 V, unless otherwise noted)

Parameter	Symbol	Condition	Min.	Typ.	Max.	Unit
Current consumption	Icc	Vin=2.0 V	-	-	40	mA
Data transmission rate	fD	Biphase signal (NRZ conversion)	DC	-	10	Mbps
Peak emission wavelength	λ_p		630	650	670	nm
Temperature coefficient of peak emission wavelength	Tc λ		-	0.13	-	nm/°C
Spectral half width (FWHM)	$\Delta\lambda$		-	20	30	nm
Fiber coupling optical output	Po	Peak value*3	-10.0	-	0	dBm
Rise time	tr	20 to 80%*3 *4 *5	-	-	20	ns
Fall time	tf	80 to 20%*3 *4 *5	-	-	20	ns
Pulse width distortion	ΔTw	50%*3 *4 *5	-15	-	+15	ns
Jitter	Δtj	*3 *4 *5	-	-	20	ps

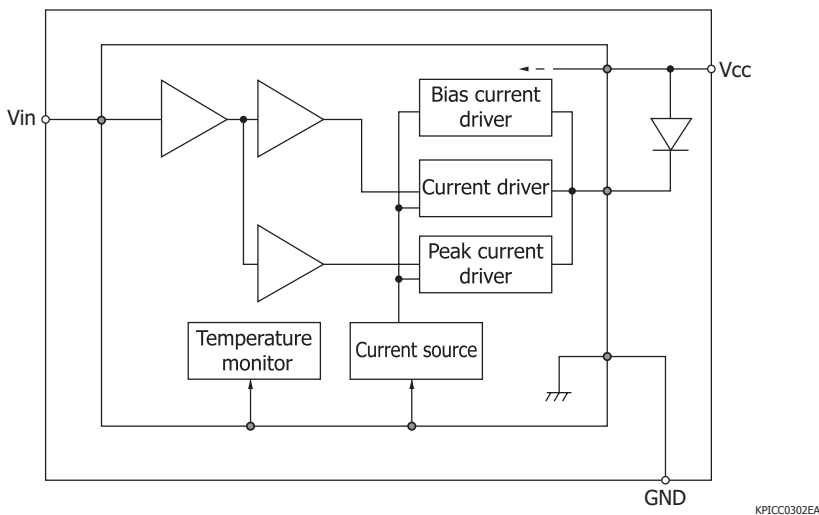
*3: For the fiber, use Mitsubishi Rayon GH4001 (ϕ 1 mm, SI-POF, NA=0.5, 1 m).

*4: For the input signal, a 10 Mbps pseudo-random biphase signal is assumed.

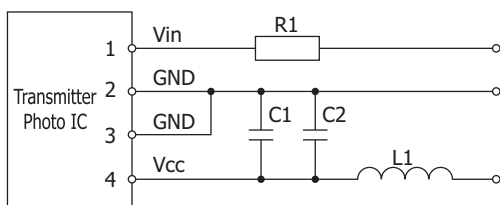
*5: Defined using the average at 50% duty ratio.

Note: Connect a 0.1 μ F bypass capacitor within 3 mm of this element's lead (between Vcc and GND). In addition, connect a 10 μ F capacitor. Align the center axes of the fiber and package lens, and make the gap between the fiber and the optical reference plane of the lens surface 0.1 mm.

Block diagram

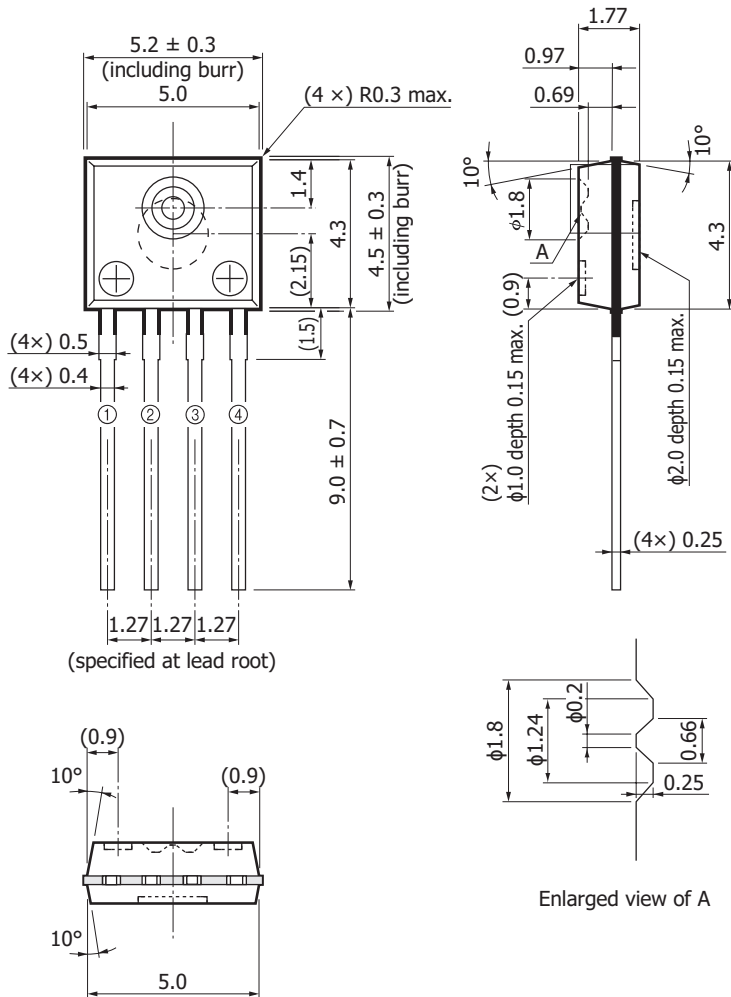


Connection example



Symbol	Component	Constant	Rating	Remarks
R1	Resistor	50 Ω to 150 Ω	60 mW or more	For overcurrent protection
L1	Inductance	0.1 μ H	50 mA or more	Ferrite bead for noise suppression can be used.
C1	Capacitor	0.1 μ F	10 V or more	Bypass capacitor for noise suppression Connect near the lead (3 mm or less).
C2	Capacitor	10 μ F	10 V or more	Bypass capacitor for noise suppression

Dimensional outline (unit: mm)



Pin no.	L12422-01SR
①	Vin
②	GND
③	GND
④	Vcc

Tolerance unless otherwise noted: ± 0.1 , $\pm 2^\circ$
 Shaded area indicates burr.
 Values in parentheses indicate reference values.

Standard packing type
 Plastic tray (100 pcs/tray)
 Material: PVC (conductive)

KPCA0104EA

Related information

www.hamamatsu.com/sp/ssd/doc_en.html

Precautions

- Disclaimer
- Metal, ceramic, plastic products

Information described in this material is current as of May 2018.

Product specifications are subject to change without prior notice due to improvements or other reasons. This document has been carefully prepared and the information contained is believed to be accurate. In rare cases, however, there may be inaccuracies such as text errors. Before using these products, always contact us for the delivery specification sheet to check the latest specifications.

The product warranty is valid for one year after delivery and is limited to product repair or replacement for defects discovered and reported to us within that one year period. However, even if within the warranty period we accept absolutely no liability for any loss caused by natural disasters or improper product use. Copying or reprinting the contents described in this material in whole or in part is prohibited without our prior permission.

HAMAMATSU

www.hamamatsu.com

HAMAMATSU PHOTONICS K.K., Solid State Division

1126-1 Ichino-cho, Higashi-ku, Hamamatsu City, 435-8558 Japan, Telephone: (81) 53-434-3311, Fax: (81) 53-434-5184

U.S.A.: Hamamatsu Corporation: 360 Foothill Road, Bridgewater, N.J. 08807, U.S.A., Telephone: (1) 908-231-0960, Fax: (1) 908-231-1218, E-mail: usa@hamamatsu.com

Germany: Hamamatsu Photonics Deutschland GmbH: Arzbergerstr. 10, D-82211 Herrsching am Ammersee, Germany, Telephone: (49) 8152-375-0, Fax: (49) 8152-265-8, E-mail: info@hamamatsu.de

France: Hamamatsu Photonics France S.A.R.L.: 19, Rue du Saule Trapu, Parc du Moulin de Massy, 91882 Massy Cedex, France, Telephone: 33-(1) 69 53 71 00, Fax: 33-(1) 69 53 71 10, E-mail: infos@hamamatsu.fr

United Kingdom: Hamamatsu Photonics UK Limited: 2 Howard Court, 10 Tewin Road, Welwyn Garden City, Hertfordshire AL7 1BW, United Kingdom, Telephone: (44) 1707-294888, Fax: (44) 1707-325777, E-mail: info@hamamatsu.co.uk

North Europe: Hamamatsu Photonics Norden AB: Torshamnsgatan 35 16440 Kista, Sweden, Telephone: (46)8-509 031 00, Fax: (46)8-509 031 01, E-mail: info@hamamatsu.se

Italy: Hamamatsu Photonics Italia S.r.l.: Strada della Moia, 1 int. 6, 20020 Arese (Milano), Italy, Telephone: (39)02-93 58 17 33, Fax: (39)02-93 58 17 41, E-mail: info@hamamatsu.it

China: Hamamatsu Photonics (China) Co., Ltd.: B1201, Jiaming Center, No.27 Dongsanhuan Beilu, Chaoyang District, Beijing 100020, China, Telephone: (86) 10-6586-6006, Fax: (86) 10-6586-6006, E-mail: hpc@hamamatsu.com.cn

Taiwan: Hamamatsu Photonics Taiwan Co., Ltd.: 8F-3, No. 158, Section2, Gongdao 5th Road, East District, Hsinchu, 300, Taiwan R.O.C. Telephone: (886)03-659-0080, Fax: (886)03-659-0081, E-mail: info@hamamatsu.com.tw