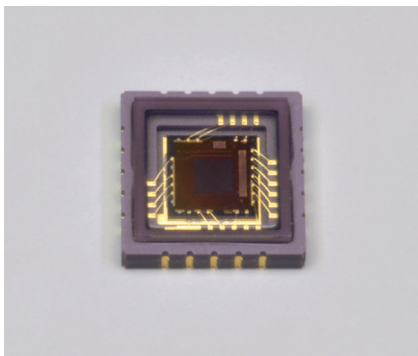


CMOS area image sensor



S14250

Near infrared high sensitivity, APS (active pixel sensor) type

The S14250 is an APS (active pixel sensor) type CMOS area image sensor featuring high sensitivity, small number of pixels, and low power consumption. Because the pixels are large ($50 \times 50 \mu\text{m}$), data acquisition is possible even in low illuminance environment. Because there are only few pixels (30×30 pixels), all the pixels can be read out at a maximum rate of 344 frames/s. The number of readout pixels can be reduced further through partial readout. The image sensor has a timing generator, bias generator, A/D converter, and serial peripheral interface (SPI), provides digital I/O, and can be driven by a single 3.3 V power supply. These features make it easy to handle. Low power consumption is provided. It consumes approx. 30 mW during imaging and 0.7 mW or less during standby through the power-down function.

Features

- Pixel size: $50 \times 50 \mu\text{m}$
- Number of pixels: 30×30
- Global shutter readout
- Single 3.3 V power supply operation
- SPI communication function (partial readout, gain switching, operation mode selection, etc.)
- Partial readout function

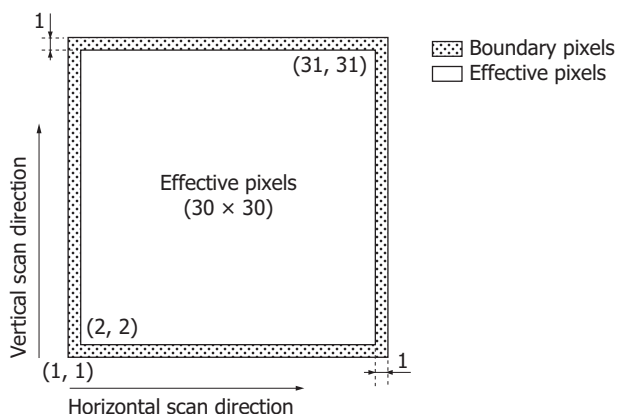
Applications

- Security camera (night vision, moving object detection)
- Monitoring camera (low resolution to accommodate privacy)

Structure

Parameter	Specification	Unit
Image size (H × V)	1.5×1.5	mm
Pixel size	50×50	μm
Pixel pitch	50	μm
Total number of pixels (H × V)	32×32	pixels
Number of effective pixels (H × V)	30×30	pixels
Boundary pixels	1 column enclosing the effective pixel region	-
Package	Ceramic	-
Window material	Borosilicate glass	-

Pixel layout



KMPDC0687EA

▣ Absolute maximum ratings (Ta=25 °C)

Parameter	Symbol	Condition	Value	Unit
Supply voltage	Analog terminal	Vdd(A)	-0.3 to +4.2	V
	Digital terminal	Vdd(D)	-0.3 to +4.2	V
Digital input signal terminal voltage*1	Vi		-0.3 to +4.2	V
Vref_cp1 terminal voltage	Vref_cp1		-0.3 to +6.5	V
Vref_cp2 terminal voltage	Vref_cp2		-2.0 to +0.3	V
Operating temperature	Topr	No dew condensation*2	-10 to +65	°C
Storage temperature	Tstg	No dew condensation*2	-10 to +85	°C
Reflow soldering conditions	Tsol	JEDEC MSL 2a	Peak temperature: 260 °C, 3 times (see P.9)	-

*1: SPI_CS, SPI_SCLK, SPI_MOSI, MCLK

*2: When there is a temperature difference between a product and the surrounding area in high humidity environment, dew condensation may occur on the product surface. Dew condensation on the product may cause deterioration in characteristics and reliability.

Note: Exceeding the absolute maximum ratings even momentarily may cause a drop in product quality. Always be sure to use the product within the absolute maximum ratings.

▣ Recommended operating conditions (Ta=25 °C)

Parameter	Symbol	Min.	Typ.	Max.	Unit	
Supply voltage	Analog terminal	Vdd(A)	3.0	3.3	3.6	V
	Digital terminal	Vdd(D)	3.0	Vdd (A)	3.6	V
Digital input voltage*3	High level	Vi(H)	Vdd(D) - 0.25	Vdd(D)	Vdd(D) + 0.25	V
	Low level	Vi(L)	0	-	0.25	

*3: SPI_CS, SPI_SCLK, SPI_MOSI, MCLK

▣ Electrical characteristics (Ta=25 °C)

Digital input signal

[Operating conditions: Recommended operating conditions Typ.]

Parameter	Symbol	Min.	Typ.	Max.	Unit
Master clock pulse frequency	f(MCLK)	1	-	10	MHz
Master clock pulse duty cycle	D(MCLK)	45	50	55	%
Rise time*4 *5	tr(sigi)	-	5	7	ns
Fall time*4 *5	tf(sigi)	-	5	7	ns

*4: SPI_CS, SPI_SCLK, SPI_MOSI, MCLK

*5: Time for the input voltage to rise or fall between 10% and 90%

Digital output signal

[Operating conditions: Recommended operating conditions Typ.]

Parameter	Symbol	Min.	Typ.	Max.	Unit
Data rate	DR	f(MCLK)/16			Hz
Digital output voltage*6	High	Vsigo(H)	Vdd(D) - 0.25	Vdd(D)	V
	Low	Vsigo(L)	-	0	0.25
Rise time*6 *7	tr(sigo)	-	-	20	ns
Fall time*6 *7	tf(sigo)	-	-	20	ns

*6: PCLK, Vsync, Hsync, Dout, SPI_MISO

*7: Time for the output voltage to rise or fall between 10% and 90% when there is a 10 pF load capacitor is attached to the output terminal

Current consumption

[Operating conditions: Recommended operating conditions Typ., digital input signal Typ.]

Parameter	Symbol	Min.	Typ.	Max.	Unit	
Imaging standby mode, Single imaging mode, Continuous imaging mode	Analog terminal*8	I1	-	5	7	mA
	Digital terminal*8	I2	-	3	4	mA
Low power consumption mode	Analog terminal*8	I1(ps)	-	1	2	μA
	Digital terminal*8	I2(ps)	-	120	200	μA

*8: Dark state, master clock pulse frequency=10 MHz, frame rate=344 frames/s

A/D converter

[Operating conditions: Recommend operating conditions Typ. (P.2), digital input signal Typ. (P.2)]

Parameter	Symbol	Specification	Unit
Resolution	Reso	10 or 12	bit
Conversion time	tcon	$1/\{16 \times f(\text{MCLK})\}$	s
Conversion voltage range*9	-	0 to 1.2	V

*9: Default value

■ Electrical and optical characteristics

[Ta=25 °C, recommend operating conditions Typ., digital input signal Typ., MCLK=10 MHz, gain: initial setting]

Parameter	Symbol	Min.	Typ.	Max.	Unit
Spectral response range	λ	400 to 1100			nm
Peak sensitivity wavelength	λ_p	-	700	-	nm
Photoresponse nonuniformity*10	PRNU	-	-	±10	%
Defective pixels	White spot*11	WS	-	0	pixels
	Black spot*12	BS	-	0	pixels
Offset output*13	Voffset	0.8	1.1	1.4	V
Dark output*13	DS	-	400	1200	mV/s
Dark output variation*14	DSNU	-	100	300	mV/s rms
Saturation output voltage*15	Vsat	0.8	1.1	-	V
Red sensitivity*16	Sred	1.06×10^{14}	1.52×10^{14}	-	V/(W·s)
Random noise*13	RN	-	4	7	mV rms
Dynamic range*17	Drange	41	49	-	dB

*10: Output nonuniformity when white uniform light at approximately 50% saturation is applied.

It is calculated excluding boundary pixels and is defined as follows:

$$\text{PRNU} = (\Delta X/X) \times 100 [\%]$$

 ΔX : difference value between the maximum output pixel and minimum output pixel

X: average output of all pixels

*11: Pixels whose dark output exceeds 2400 mV/s (excluding boundary pixels)

*12: Pixels whose output value is 50% or less than that of adjacent pixels when uniform white light is applied at approximately 50% saturation level (excluding boundary pixels)

*13: Average output of all pixels excluding boundary pixels under light-shielded condition

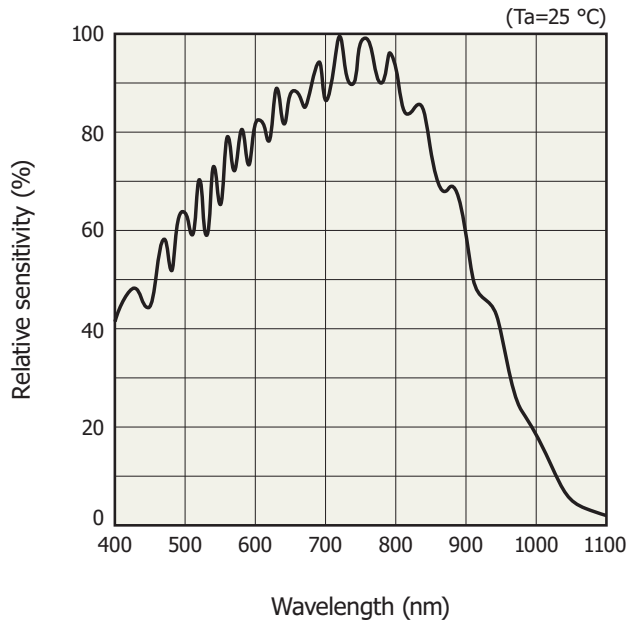
*14: Standard deviation of dark output of all pixels excluding boundary pixels

*15: Average of values obtained by subtracting the pixel offset outputs from the outputs produced when light is applied at a level equivalent to twice the saturation exposure (excluding boundary pixels)

*16: $\lambda=630$ nm

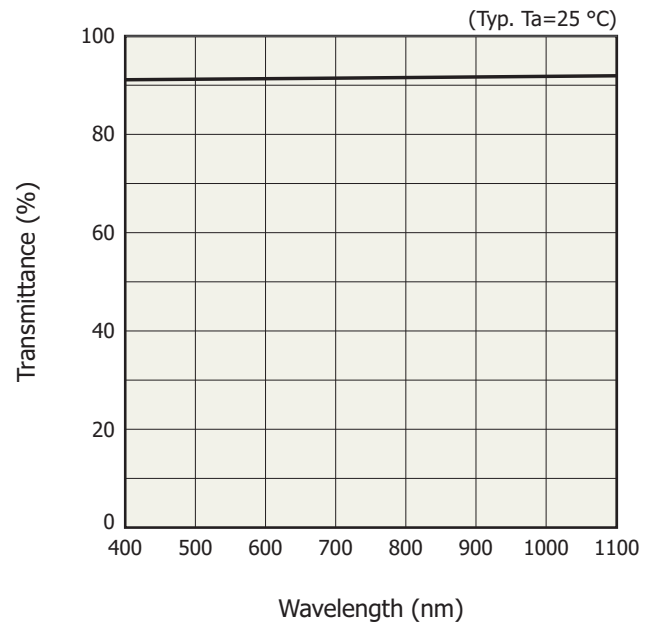
*17: Ratio of saturation output to random noise

Spectral response (typical example)



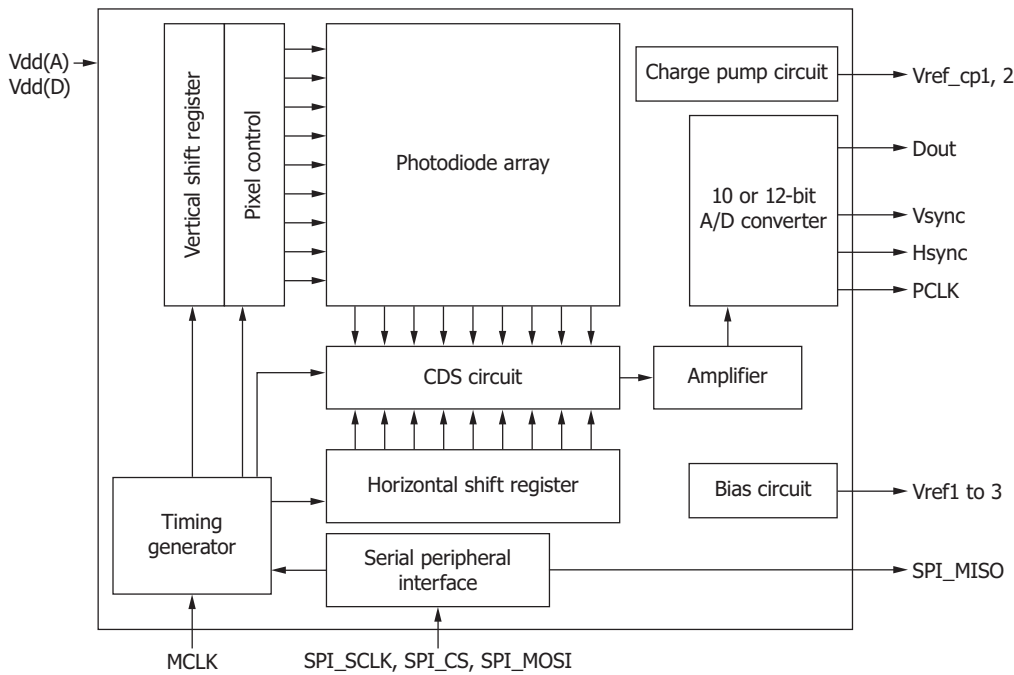
KMPDB0529EA

Spectral transmittance of window material



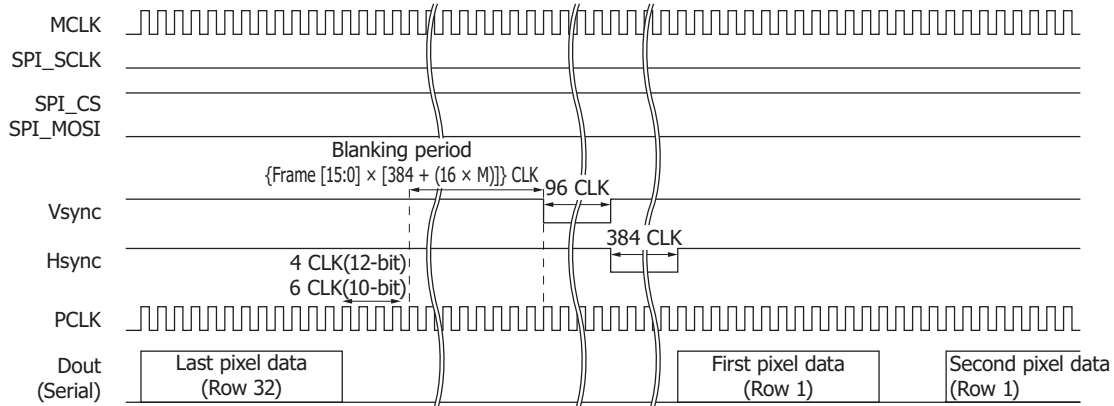
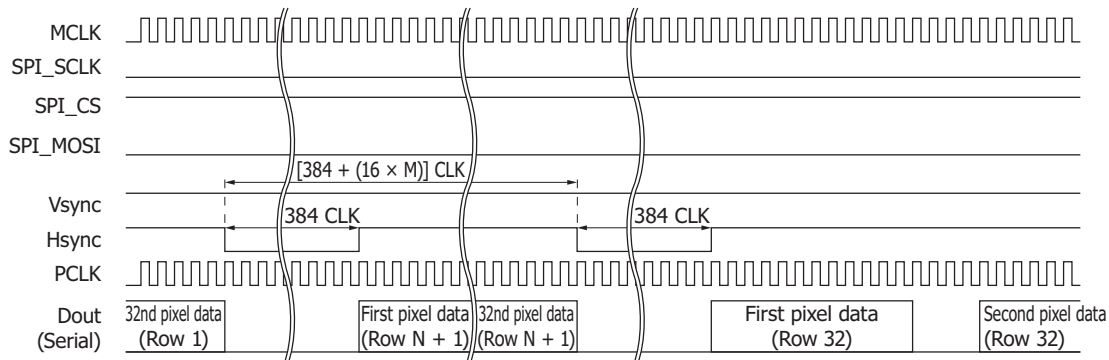
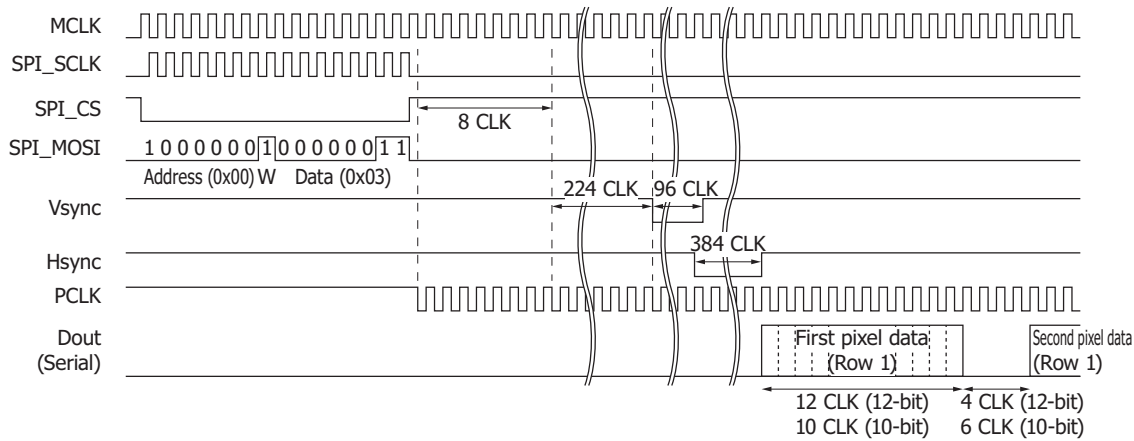
KMPDB0558EA

Block diagram



KMPDC0688EA

Timing chart (continuous imaging mode)



M=number of columns

KMPDC0737EA

Setting using the SPI and the like

The following parameters can be set using the serial peripheral interface (SPI).

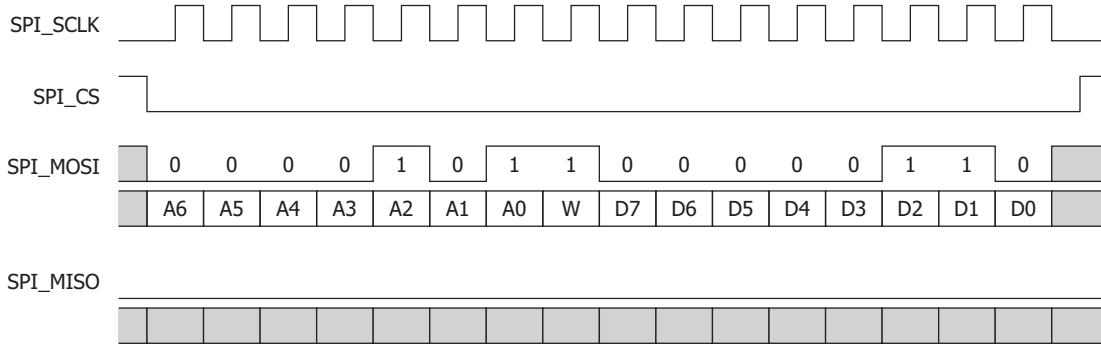
Parameter	Mode and explanation
Operation mode	Imaging standby mode Supplies power to the analog circuit such as the bias circuit, in addition to the SPI. Imaging is not performed.
	Single imaging mode Integration starts as soon as a switch is made into this mode. When the integration over the period specified through SPI is complete, the data is read out.
	Continuous imaging mode Image data is output continuously.
	Low power consumption mode Stops all circuits except the SPI to suppress power consumption.
Integration time	Sets the integration time.
Blanking period	Sets the blanking period between frames.
Readout region	Sets the readout region at the pixel level.
Voltage conversion range of the A/D converter	The lower voltage limit can be set between 0.8 to 1.55 V and the upper voltage limit between 1.8 to 2.55 V. Initial setting: lower voltage limit=1.0 V, upper voltage limit=2.2 V
A/D converter resolution	Set it to 10-bit or 12-bit. Initial setting: 12-bit
Output gain	Sets x1 or x4. Initial setting: 4 times

SPI register map

Address	Symbol	Bit	Description
Read/Write (0x00)	Mode	[1:0]	Mode selection register
	Msel2	1	[00] Low power consumption mode [01] Imaging standby mode
	Msel1	0	[10] Single imaging mode [11] Continuous imaging mode
Read/Write (0x01)	Integ_U	[7:0]	Sets the integration time (upper bits). Initial setting: [00000000]
Read/Write (0x02)	Integ_L	[7:0]	Sets the integration time (lower bits). Initial setting: [00001111]
Read/Write (0x03)	Frame_U	[7:0]	Sets the blanking period between frames (upper bits). Initial setting: [00000000]
Read/Write (0x04)	Frame_L	[7:0]	Sets the blanking period between frames (lower bits). Initial setting: [00000010]
Read/Write (0x05)	Start_row	[4:0]	Sets the address of the readout start row. Initial setting: [00000]
Read/Write (0x06)	Start_col	[4:0]	Sets the address of the readout start column. Initial setting: [00000]
Read/Write (0x07)	Numb_row	[4:0]	Sets the number of readout rows. Initial setting: [11111]
Read/Write (0x08)	Numb_col	[4:0]	Sets the number of readout columns. Initial setting: [11111]
Read/Write (0x09)	ADC	[7:0]	Sets the voltage conversion range of the A/D converter. Initial setting: [10000100]=1.0 to 2.2 V (1.2 V)
	VRT	[7:4]	Sets the upper voltage limit for A/D conversion. The value can be set in steps of 0.05 V. [0000]=1.8 V, [1111]=2.55 V, initial setting: [1000]=2.2 V
	VRB	[3:0]	Sets the lower voltage limit for A/D conversion. The value can be set in steps of 0.05 V. [0000]=0.8 V, [1111]=1.55 V, initial setting: [0100]=1.0 V
Read/Write (0x0a)	Gain	[1:0]	Sets the analog amplifier gain and A/D converter resolution. Initial setting: [00]
	Ampgain	1	Set the analog amplifier gain. 1=x1 gain, 0=x4 gain, initial setting: 0
	Reso	0	Sets the A/D converter resolution. 1=10-bit, 0=12-bit, initial setting: 0
Readonly (0x0b)	TEST	[7:0]	SPI readout operation test register Fixed value: [10101010]

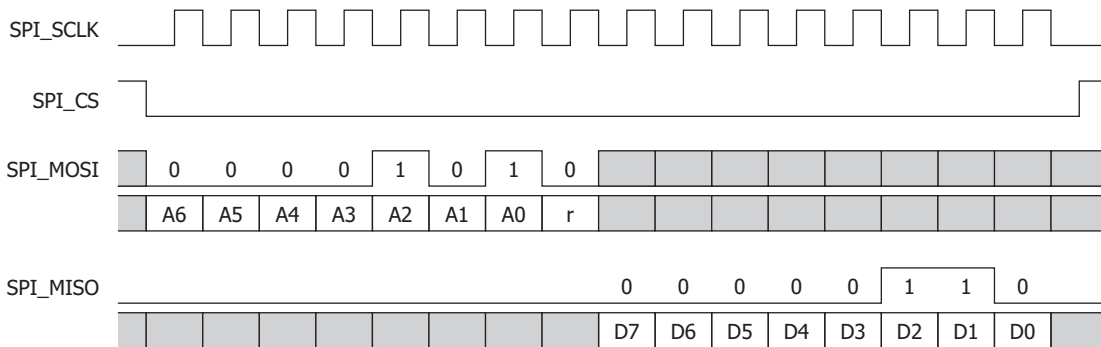
SPI setting example

■ When writing (0x06) to address (0x05)



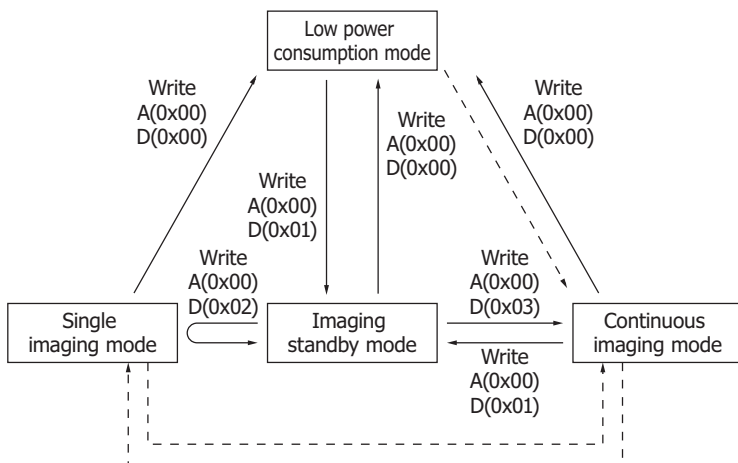
KMPDC0734EA

■ When reading out data (0x06) from address (0x05)



KMPDC0735EA

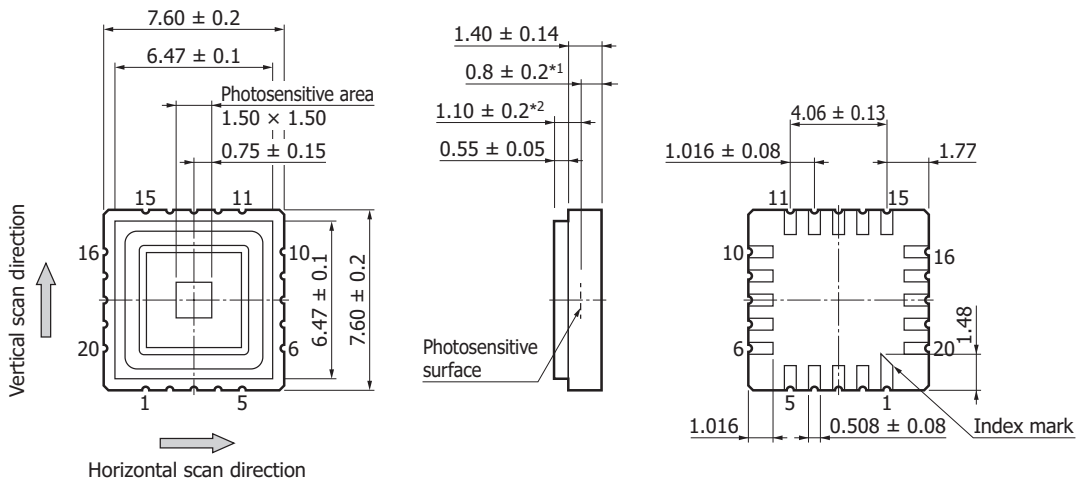
Sensor operation mode



Note: Do not make a transition toward the broken lines.

KMPDC0736EA

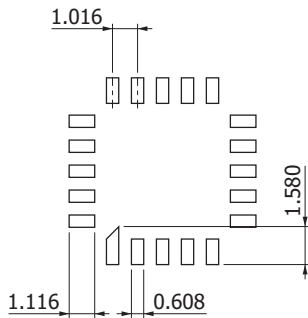
Dimensional outline (unit: mm)



Tolerance unless otherwise noted: ± 0.2
 *1: Distance from package bottom to photosensitive surface
 *2: Distance from glass surface to photosensitive surface

KMPDA0600EB

Recommended land pattern (unit: mm)



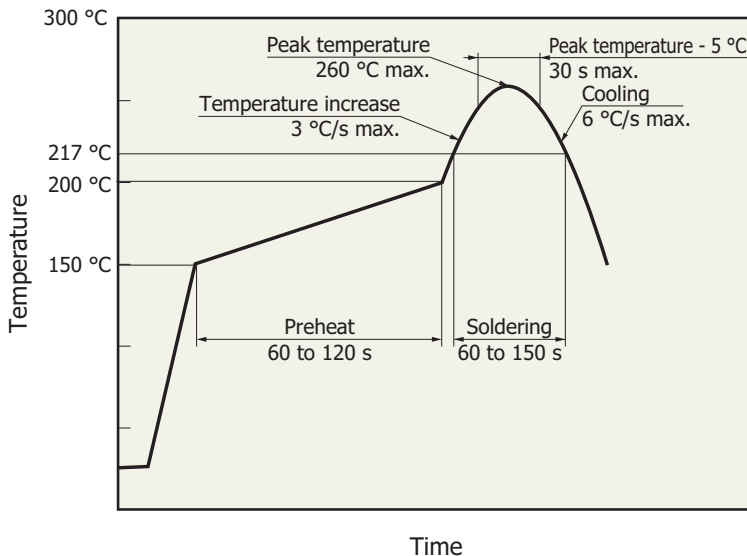
KMPDC0689EA

Pin connections

Pin no.	Symbol	Description	I/O
1	Vdd(A)	Analog supply voltage*18 *19	I
2	Vdd(D)	Digital supply voltage*18 *19	I
3	Vref_cp1	Bias voltage for the charge pump circuit*20 *21	I
4	Vref_cp2	Bias voltage for the charge pump circuit*21 *22	I
5	Vsync	Frame sync signal	O
6	Hsync	Line sync signal	O
7	PCLK	Pixel output sync signal	O
8	SPI_SCLK	SPI clock signal*23	I
9	SPI_CS	SPI selection signal*24	I
10	SPI_MOSI	SPI input signal*23	I
11	MCLK	Master clock signal	I
12	Vdd(D)	Digital supply voltage*18 *19	I
13	GND	Ground	I
14	SPI_MISO	SPI output signal	O
15	Dout	Video output signal	O
16	Vdd(A)	Analog supply voltage*18 *19	I
17	Vref3	Reference voltage*20	O
18	Vref2	Reference voltage*20	O
19	Vref1	Reference voltage*20	O
20	GND	Ground	I

- *18: To reduce noise, insert a capacitor around 0.1 μF and 22 μF between each terminal and GND.
- *19: Apply voltage to all supply voltage terminals.
- *20: To reduce noise, insert a capacitor around 1 μF between each terminal and GND.
- *21: A terminal for monitoring the bias voltage generated inside the chip
- *22: To reduce noise, insert a capacitor around 10 μF between each terminal and GND.
- *23: When the SPI is not used, connect to GND.
- *24: When the SPI is not used, connect to Vdd.

Recommended temperature profile for reflow solderings (typical example)



KMPDB0405EB

- This product supports lead-free soldering. After unpacking, store it in an environment at a temperature of 30 °C or less and a humidity of 60% or less, and perform soldering within 4 weeks.
- The effect that the product receives during reflow soldering varies depending on the circuit board and reflow oven that are used. When you set reflow soldering conditions, check that problems do not occur in the product by testing out the conditions in advance.

Recommended baking conditions

See Precautions (surface mount type products).

Precautions

(1) Electrostatic countermeasures

This device has a built-in protection circuit against static electrical charges. However, to prevent destroying the device with electrostatic charges, take countermeasures such as grounding yourself, the workbench and tools. Also protect this device from surge voltages which might be caused by peripheral equipment.

(2) Light input window

If dust or stain adheres to the surface of the light input window glass, it will appear as black spots on the image. When cleaning, avoid rubbing the window surface with dry cloth, dry cotton swab or the like, since doing so may generate static electricity. Use soft cloth, a cotton swab, or the like moistened with alcohol to wipe dust and stain off the window surface. Then blow compressed air onto the window surface so that no dust or stain remains.

(3) Soldering

To prevent damaging the device during soldering, take precautions to prevent excessive soldering temperatures and times. Soldering should be performed within 5 seconds at a soldering temperature below 260 °C.

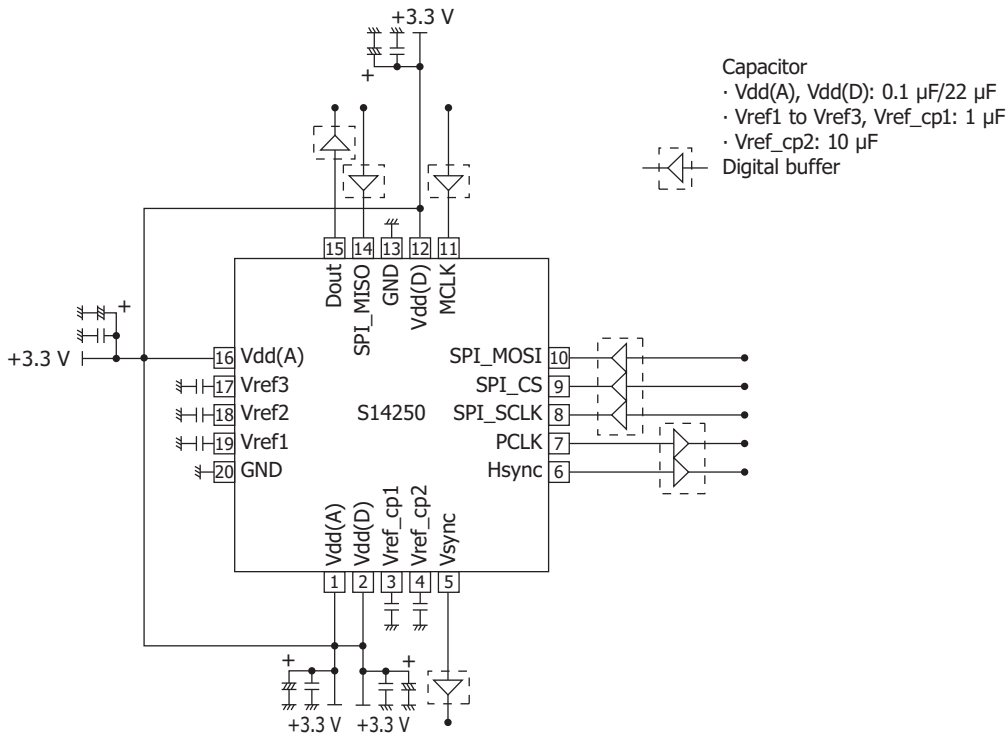
(4) Reflow soldering

Soldering conditions vary depending on the size of the circuit board, reflow oven, and the like. Check the conditions advance before soldering. Note that the bonding portion between the ceramic base and the glass may discolor after reflow soldering, but this has no adverse effects on the hermetic sealing of the product.

(5) UV light irradiation

This product is not designed to resist characteristic deterioration under UV light irradiation. Do not apply UV light to it.

Connection circuit example



KMPDC0690EA

Related information

www.hamamatsu.com/sp/ssd/doc_en.html

■ Precautions

- Disclaimer
- Image sensors
- Surface mount type products

■ Technical information

- Image Sensor/Terminology

Information described in this material is current as of April 2020.

Product specifications are subject to change without prior notice due to improvements or other reasons. This document has been carefully prepared and the information contained is believed to be accurate. In rare cases, however, there may be inaccuracies such as text errors. Before using these products, always contact us for the delivery specification sheet to check the latest specifications.

The product warranty is valid for one year after delivery and is limited to product repair or replacement for defects discovered and reported to us within that one year period. However, even if within the warranty period we accept absolutely no liability for any loss caused by natural disasters or improper product use. Copying or reprinting the contents described in this material in whole or in part is prohibited without our prior permission.

HAMAMATSU

www.hamamatsu.com

HAMAMATSU PHOTONICS K.K., Solid State Division

1126-1 Ichino-cho, Higashi-ku, Hamamatsu City, 435-8558 Japan, Telephone: (81)53-434-3311, Fax: (81)53-434-5184

U.S.A.: Hamamatsu Corporation: 360 Foothill Road, Bridgewater, N.J. 08807, U.S.A., Telephone: (1)908-231-0960, Fax: (1)908-231-1218, E-mail: usa@hamamatsu.com

Germany: Hamamatsu Photonics Deutschland GmbH: Arzbergerstr. 10, D-82211 Herrsching am Ammersee, Germany, Telephone: (49)8152-375-0, Fax: (49)8152-265-8, E-mail: info@hamamatsu.de

France: Hamamatsu Photonics France S.A.R.L.: 19, Rue du Saule Trapu, Parc du Moulin de Massy, 91882 Massy Cedex, France, Telephone: (33)1 69 53 71 00, Fax: (33)1 69 53 71 10, E-mail: infos@hamamatsu.fr

United Kingdom: Hamamatsu Photonics UK Limited: 2 Howard Court, 10 Tewin Road, Welwyn Garden City, Hertfordshire AL7 1BW, United Kingdom, Telephone: (44)1707-294888, Fax: (44)1707-325777, E-mail: info@hamamatsu.co.uk

North Europe: Hamamatsu Photonics Norden AB: Torshamnsgatan 35 16440 Kista, Sweden, Telephone: (46)8-509 031 00, Fax: (46)8-509 031 01, E-mail: info@hamamatsu.se

Italy: Hamamatsu Photonics Italia S.r.l.: Strada della Moia, 1 int. 6, 20020 Arese (Milano), Italy, Telephone: (39)02-93 58 17 33, Fax: (39)02-93 58 17 41, E-mail: info@hamamatsu.it

China: Hamamatsu Photonics (China) Co., Ltd.: B1201, Jiaming Center, No.27 Dongsanhuan Beilu, Chaoyang District, 100020 Beijing, P.R.China, Telephone: (86)10-6586-6006, Fax: (86)10-6586-2866, E-mail: hpc@hamamatsu.com.cn

Taiwan: Hamamatsu Photonics Taiwan Co., Ltd.: 8F-3, No. 158, Section2, Gongdao 5th Road, East District, Hsinchu, 300, Taiwan R.O.C. Telephone: (886)3-659-0080, Fax: (886)3-659-0081, E-mail: info@hamamatsu.com.tw