

S4289-61

Asynchronous type light modulation photo IC

The S4289-61 is an asynchronous type light modulation photo IC designed for reliable detection even under disturbance background light. A photodiode, preamplifier, comparator, oscillator and signal processing circuit, etc. are all integrated on a monolithic photo IC chip. Using asynchronous optical detection means that no wiring to a signal light source (such as LED) is required and allows greater versatility in equipment design.

Features

- Asynchronous detection
- Large allowable background illuminance: 4000 lx typ.
- Minimum detection level: 0.2 μW/mm² typ.
- Digital output (Output appears "L" by light input.)
- Subminiature plastic package

Applications

- Paper detection in office machines (copier, fax machines, etc.)
- Photosensor switches

Absolute maximum ratings (Ta=25 °C)

Parameter	Symbol	Value	Unit
Supply voltage	Vcc	-0.5 to +16	V
Output voltage	Vo	-0.5 to +16	V
Output current	Io	50	mA
Power dissipation*1	P	250	mW
Operating temperature	Topr	-25 to +70	°C
Storage temperature	Tstg	-40 to +100	°C
Soldering	-	230 °C, 5 s, at least 1.8 mm away from package surface	-

Note: Exceeding the absolute maximum ratings even momentarily may cause a drop in product quality. Always be sure to use the product within the absolute maximum ratings.

*1: Derate power dissipation at a rate of 3.3 mW/°C above Ta=25 °C

Electrical and optical characteristics (Ta=25 °C, Vcc=5 V)

Parameter	Symbol	Condition	Min.	Typ.	Max.	Unit
Supply voltage	Vcc		4.5	-	16	V
Current consumption	Icc	Vo and cathode terminals are open	-	4.0	11	mA
Output	Low level output voltage	VoL IoL=16 mA	-	0.2	0.4	V
	High level output voltage	VoH 4.7 kΩ between Vcc and Vo	4.9	-	-	V
Cathode output*3	Pulse cycle 1	TP1 *2	65	130	220	μs
	Pulse width 1	TW1 *2	4	8	13.7	μs
Input signal light	Pulse cycle 2	TP2 *4	-	-	50	μs
	Pulse width 2	TW2 *4	5	-	-	μs
H→L threshold illuminance	EHL	λ=940 nm, No background light	-	0.2	1.0	μW/mm ²
Hysteresis	Hys	*5	0.45	0.65	0.85	-
Frequency response	f		0.5	1.25	-	kHz
Allowable background light level	Ex	Signal light: 5 μW/mm ² λp=940 nm Background light: "A" light source	2000	4000	-	lx

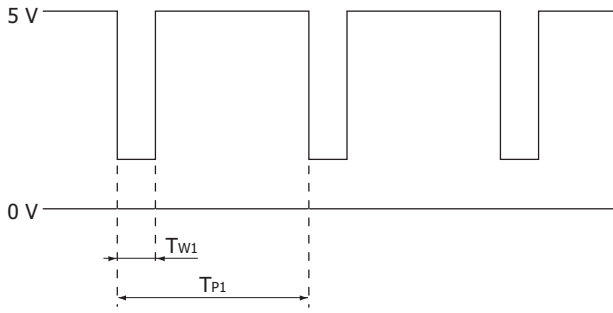
*2: Pulse cycle and pulse width of built-in LED driver circuit

*3: Cathode terminal provides output for monitoring internal logic operation. When using it should be grounded.

*4: LED drive pulse cycle and pulse width of LED in an external circuit

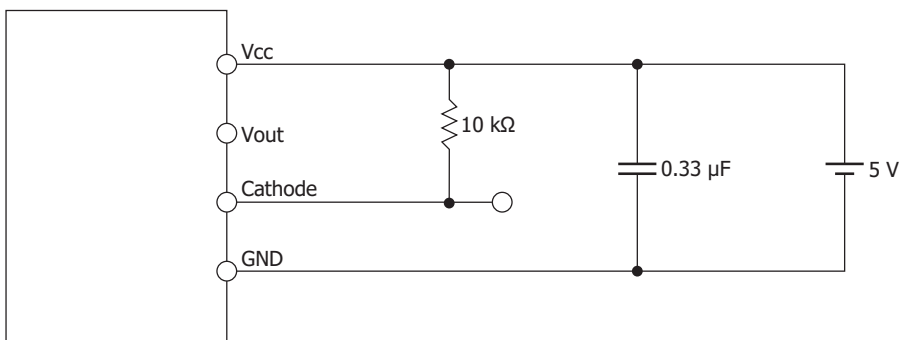
*5: Hysteresis Hys = (L → H threshold illuminance) / (H → L threshold illuminance)

Cathode terminal output voltage waveform



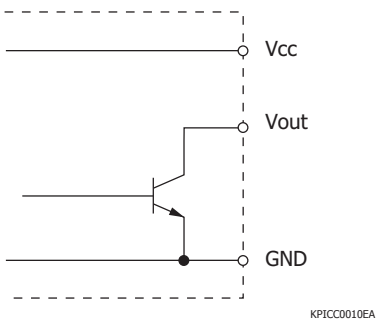
KPIC0035EA

Measurement circuit



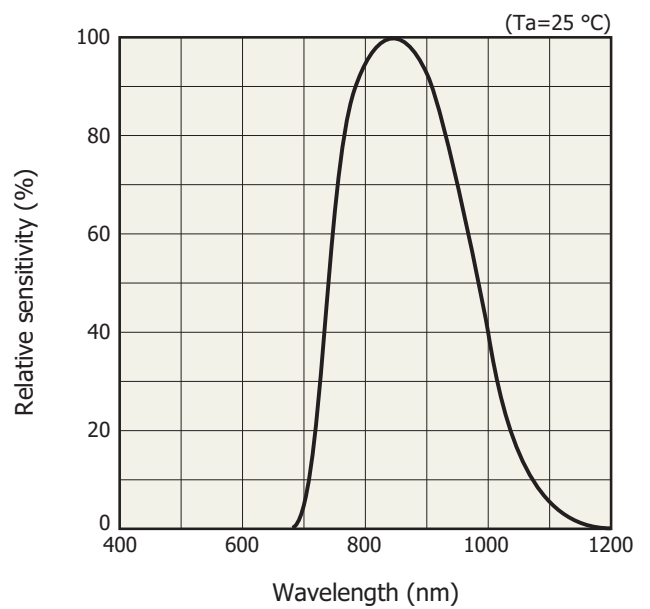
KPIC0036EA

Output terminal circuit



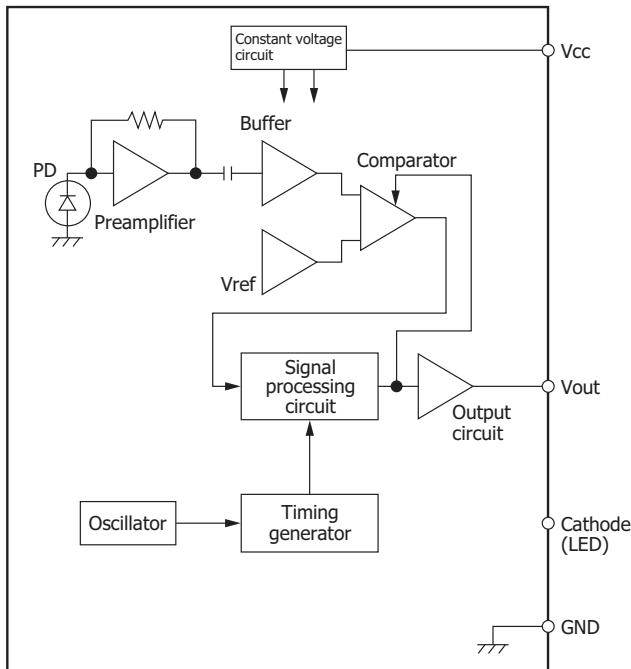
KPIC0010EA

Spectral response (typical example)



KPIC0002EA

Block diagram and internal functions



Truth table

Input	Output level
Light on	Low
Light off	High

KPIC0040EA

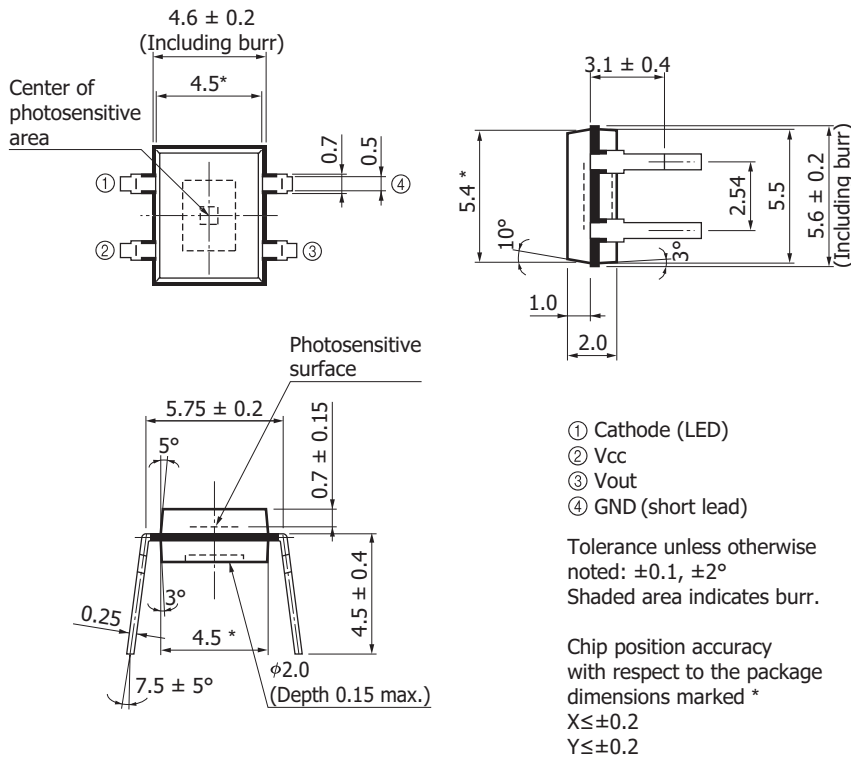
- (a) **Oscillator and timing signal generator**
The oscillator produces a reference oscillation output by charging and discharging the built-in capacitor with constant current. The oscillation output is fed to the timing signal generator, which then creates LED drive pulses and various timing pulses for digital signal processing.
- (b) **Photodiode and preamplifier circuit**
The photodiode is formed on the same monolithic chip. A photocurrent generated in the photodiode is converted to a voltage by a preamplifier circuit. The preamplifier circuit uses an AC amplifier to expand the dynamic range versus DC or low-frequency background light, without impairing signal detection sensitivity.
- (c) **Capacitive coupling, buffer amplifier and reference voltage generator**
Capacitive coupling removes low-frequency noise and also cancels the DC offset in the preamplifier. The buffer amplifier boosts the signal up to the comparator level, and the reference voltage generator produces a comparator level voltage.
- (d) **Comparator circuit**
The comparator circuit has a hysteresis function to prevent chattering caused by small fluctuations in the input light.
- (e) **Signal processing circuit**
The signal processing circuit consists of a digital integrator circuit that eliminates non-continuous, synchronous background light.
- (f) **Output circuit**
This circuit serves as an output buffer for the signal processing circuit and outputs the signal to an external circuit.

Note: The cathode (LED) terminal should be grounded.

Precautions

Synchronous mode acquires signals in synchronization with the LED emission timing. In asynchronous mode, a time window is provided which opens at a certain cycle to acquire signals, and the LED frequency is set so that at least one signal enters the time window while open. Since this time window for signal acquisition is wider when compared with synchronous mode operation, the asynchronous mode is less capable of eliminating disturbance background light at high frequencies or in pulsed form (noise light). However, asynchronous mode has the advantage of not requiring any wiring in order to synchronize the LED with the photo IC. S4289-61 exhibits the same characteristics as S7136 series light modulation photo IC except for synchronous detection. To use S4289-61, the cathode (LED) terminal should be grounded and the LED operated by an external driver circuit.

Dimensional outline (unit: mm)



KPICA0009EB

Related information

www.hamamatsu.com/sp/ssd/doc_en.html

■ Precautions

- Disclaimer
- Metal, ceramic plastic package products

Information described in this material is current as of September 2017.

Product specifications are subject to change without prior notice due to improvements or other reasons. This document has been carefully prepared and the information contained is believed to be accurate. In rare cases, however, there may be inaccuracies such as text errors. Before using these products, always contact us for the delivery specification sheet to check the latest specifications.

The product warranty is valid for one year after delivery and is limited to product repair or replacement for defects discovered and reported to us within that one year period. However, even if within the warranty period we accept absolutely no liability for any loss caused by natural disasters or improper product use. Copying or reprinting the contents described in this material in whole or in part is prohibited without our prior permission.

HAMAMATSU

www.hamamatsu.com

HAMAMATSU PHOTONICS K.K., Solid State Division

1126-1 Ichino-cho, Higashi-ku, Hamamatsu City, 435-8558 Japan, Telephone: (81) 53-434-3311, Fax: (81) 53-434-5184

U.S.A.: Hamamatsu Corporation: 360 Foothill Road, Bridgewater, N.J. 08807, U.S.A., Telephone: (1) 908-231-0960, Fax: (1) 908-231-1218

Germany: Hamamatsu Photonics Deutschland GmbH: Arzbergerstr. 10, D-82211 Herrsching am Ammersee, Germany, Telephone: (49) 8152-375-0, Fax: (49) 8152-265-8

France: Hamamatsu Photonics France S.A.R.L.: 19, Rue du Saule Trapu, Parc du Moulin de Massy, 91882 Massy Cedex, France, Telephone: 33-(1) 69 53 71 00, Fax: 33-(1) 69 53 71 10

United Kingdom: Hamamatsu Photonics UK Limited: 2 Howard Court, 10 Tewin Road, Welwyn Garden City, Hertfordshire AL7 1BW, United Kingdom, Telephone: (44) 1707-294888, Fax: (44) 1707-325777

North Europe: Hamamatsu Photonics Norden AB: Torshamnsgatan 35 16440 Kista, Sweden, Telephone: (46) 8-509-031-00, Fax: (46) 8-509-031-01

Italy: Hamamatsu Photonics Italia S.r.l.: Strada della Moia, 1 int. 6, 20020 Arese (Milano), Italy, Telephone: (39) 02-93581733, Fax: (39) 02-93581741

China: Hamamatsu Photonics (China) Co., Ltd.: B1201, Jiaming Center, No.27 Dongsanhuan Beilu, Chaoyang District, Beijing 100020, China, Telephone: (86) 10-6586-6006, Fax: (86) 10-6586-2866