

Thermopile detector

T11722-01



For CO₂ concentration measurement, High sensitivity

The T11722-01 is a dual-element type thermopile detector designed to detect CO₂ concentration with high accuracy. It consists of a high sensitivity dual-element thermopile detector and two band-pass filters for sensing two wavelengths (reference: 3.9 μm, CO₂: 4.3 μm) simultaneously.

Features

- **2 wavelengths detection**
(Reference: 3.9 μm, CO₂: 4.3 μm)
- **Metal package (TO-5)**
- **High sensitivity**

Applications

- **CO₂ concentration measurement**

Absolute maximum ratings

Parameter	Symbol	Value	Unit
Operating temperature	T _{opr}	-30 to +85	°C
Storage temperature	T _{stg}	-40 to +125	°C

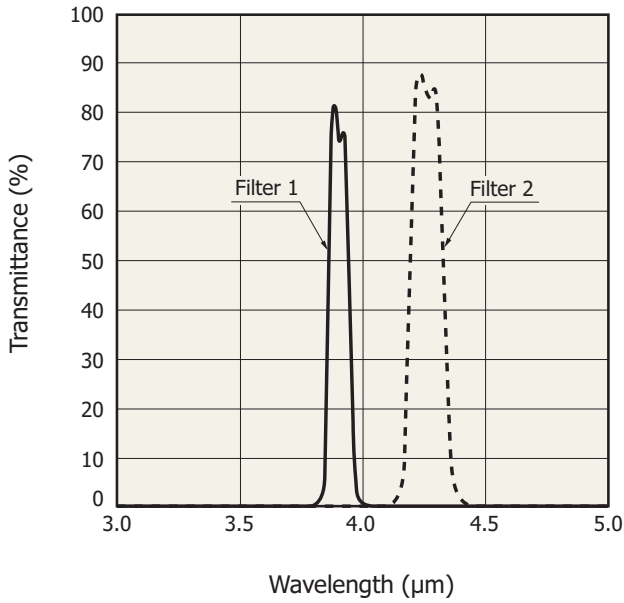
Note: Exceeding the absolute maximum ratings even momentarily may cause a drop in product quality. Always be sure to use the product within the absolute maximum ratings.

Electrical and optical characteristics (T_a=25 °C)

Parameter	Symbol	Condition	Min.	Typ.	Max.	Unit
Photosensitive area (per 1 element)	-	Absorption layer size	-	1.2 × 1.2	-	mm
Spectral response range	λ	Band-pass filter, center wavelength (FWHM)	-	For reference: 3.9 (0.09) For CO ₂ : 4.3 (0.14)	-	μm
Photosensitivity* ¹	S	1 Hz, 500 K	40	50	60	V/W
Element resistance	Re		100	125	150	kΩ
Noise voltage	V _n	Johnson noise	-	45	50	nV/Hz ^{1/2}
Noise equivalent power* ¹	NEP		-	0.9	1.3	nW/Hz ^{1/2}
Detectivity* ¹	D*		0.9 × 10 ⁸	1.3 × 10 ⁸	-	cm·Hz ^{1/2} /W
Rise time	tr	0 to 63%	-	20	30	ms
Temperature coefficient of element resistance	TCR		-	±0.1	-	%/°C

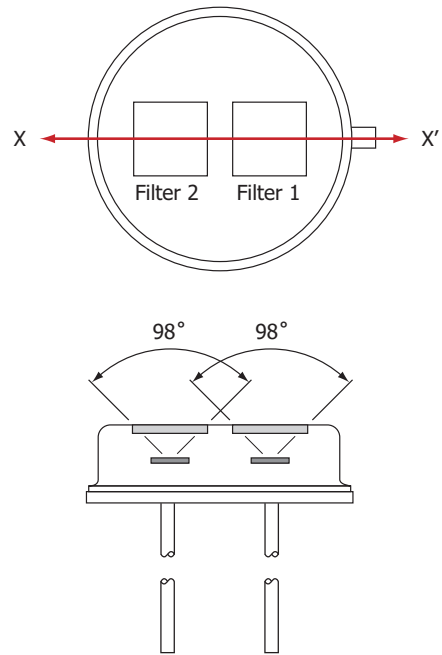
*1: Without filter

Spectral transmittance characteristics of window material (typical example)



KIRDB0508EA

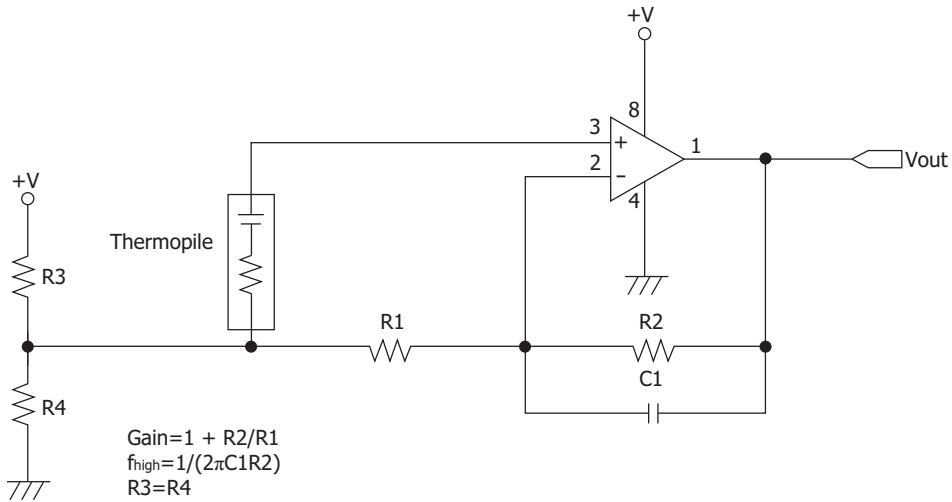
Field of view



KIRDC0103EA

Operating circuits

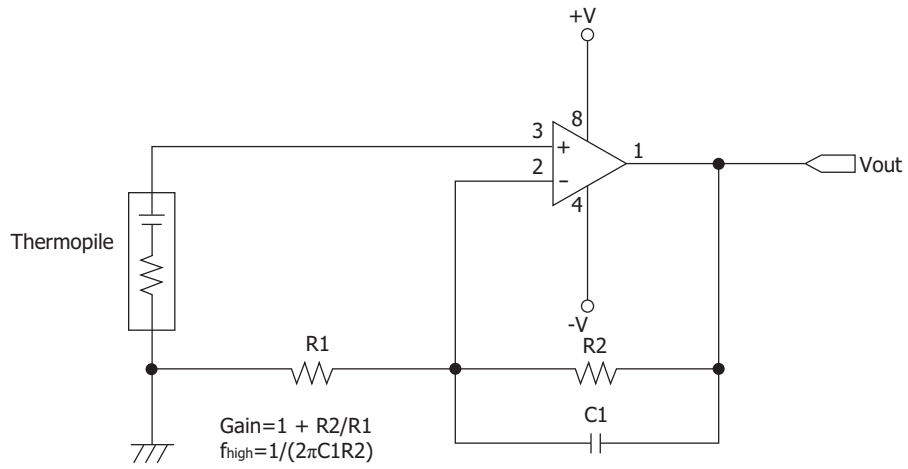
Single power supply type



Since the thermopile output signal is very low in the order of microvolts, use an amplifier with a low offset voltage. (Example: LTC1050)

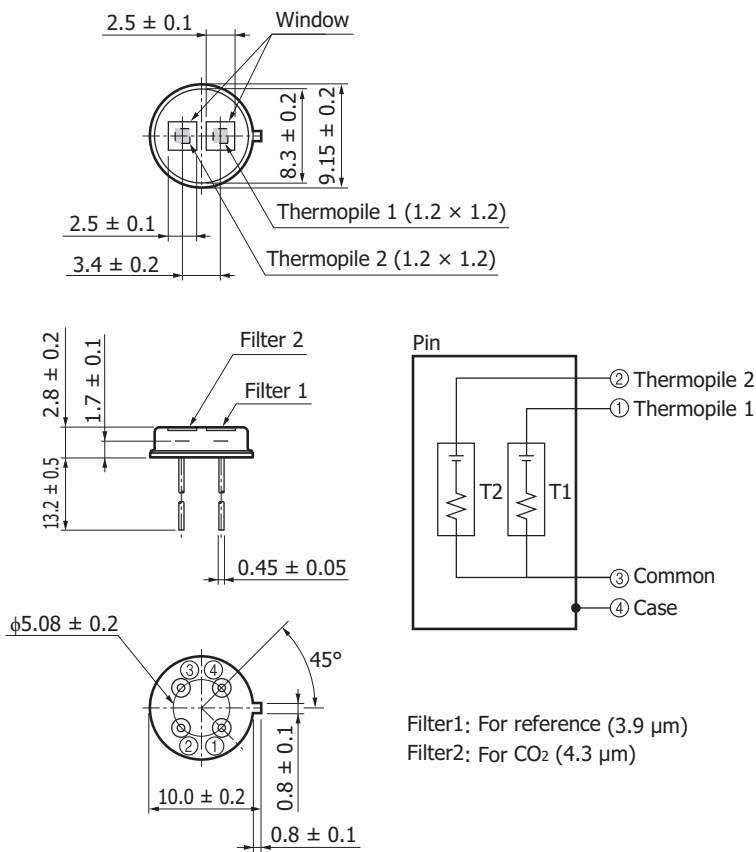
KIRDC0104EA

Dual power supply type



KIRDC0105EA

Dimensional outline (unit: mm)



KIRDA0222EB

Precautions

The band-pass filters used in this product have a secondary transmission at wavelengths longer than 10 μm . If the secondary transmission affects measurements, install a sapphire glass, etc. in front of the light input window to block long wavelength light.

Related information

www.hamamatsu.com/sp/ssd/doc_en.html

Precautions

- Disclaimer
- Metal, Ceramic, Plastic package products/Precautions

Information described in this material is current as of February 2017.

Product specifications are subject to change without prior notice due to improvements or other reasons. This document has been carefully prepared and the information contained is believed to be accurate. In rare cases, however, there may be inaccuracies such as text errors. Before using these products, always contact us for the delivery specification sheet to check the latest specifications.

The product warranty is valid for one year after delivery and is limited to product repair or replacement for defects discovered and reported to us within that one year period. However, even if within the warranty period we accept absolutely no liability for any loss caused by natural disasters or improper product use. Copying or reprinting the contents described in this material in whole or in part is prohibited without our prior permission.

HAMAMATSU

www.hamamatsu.com

HAMAMATSU PHOTONICS K.K., Solid State Division

1126-1 Ichino-cho, Higashi-ku, Hamamatsu City, 435-8558 Japan, Telephone: (81)53-434-3311, Fax: (81)53-434-5184

U.S.A.: Hamamatsu Corporation: 360 Foothill Road, Bridgewater, N.J. 08907, U.S.A., Telephone: (1)908-231-0960, Fax: (1)908-231-1218, E-mail: usa@hamamatsu.com

Germany: Hamamatsu Photonics Deutschland GmbH: Arzbergerstr. 10, D-82211 Herrsching am Ammersee, Germany, Telephone: (49)8152-375-0, Fax: (49)8152-265-8, E-mail: info@hamamatsu.de

France: Hamamatsu Photonics France S.A.R.L.: 19, Rue du Saule Trapu, Parc du Moulin de Massy, 91882 Massy Cedex, France, Telephone: (33)1 69 53 71 00, Fax: (33)1 69 53 71 10, E-mail: infos@hamamatsu.fr

United Kingdom: Hamamatsu Photonics UK Limited: 2 Howard Court, 10 Tewin Road, Welwyn Garden City, Hertfordshire AL7 1BW, United Kingdom, Telephone: (44)1707-294888, Fax: (44)1707-325777, E-mail: info@hamamatsu.co.uk

North Europe: Hamamatsu Photonics Norden AB: Torshamnsgatan 35 16440 Kista, Sweden, Telephone: (46)8-509 031 00, Fax: (46)8-509 031 01, E-mail: info@hamamatsu.se

Italy: Hamamatsu Photonics Italia S.r.l.: Strada della Moia, 1 int. 6, 20020 Arese (Milano), Italy, Telephone: (39)02-93 58 17 33, Fax: (39)02-93 58 17 41, E-mail: info@hamamatsu.it

China: Hamamatsu Photonics (China) Co., Ltd.: B1201, Jiaming Center, No.27 Dongsanhuan Beilu, Chaoyang District, 100020 Beijing, P.R.China, Telephone: (86)10-6586-6006, Fax: (86)10-6586-2866, E-mail: hpc@hamamatsu.com.cn

Taiwan: Hamamatsu Photonics Taiwan Co., Ltd.: 8F-3, No. 158, Section2, Gongdao 5th Road, East District, Hsinchu, 300, Taiwan R.O.C. Telephone: (886)3-659-0080, Fax: (886)3-659-0081, E-mail: info@hamamatsu.com.tw