

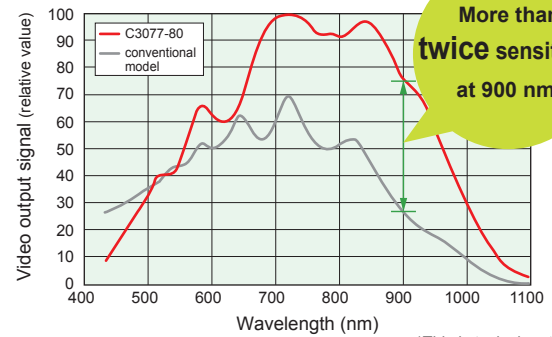
Near infrared CCD camera C3077-80



▲ Lens is optional.

The C3077-80 is a VGA format CCD camera which has high sensitivity in the near infrared region. In comparison to our conventional model, spectral response at 900 nm is increased more than twice. This camera has EIA output which is widely used in the industry. With use of its high sensitivity in NIR region, this camera is suitable for imaging inside a silicon device.

SPECTRAL RESPONSE



More than twice sensitivity at 900 nm !

*This is typical, not guaranteed.

FEATURES

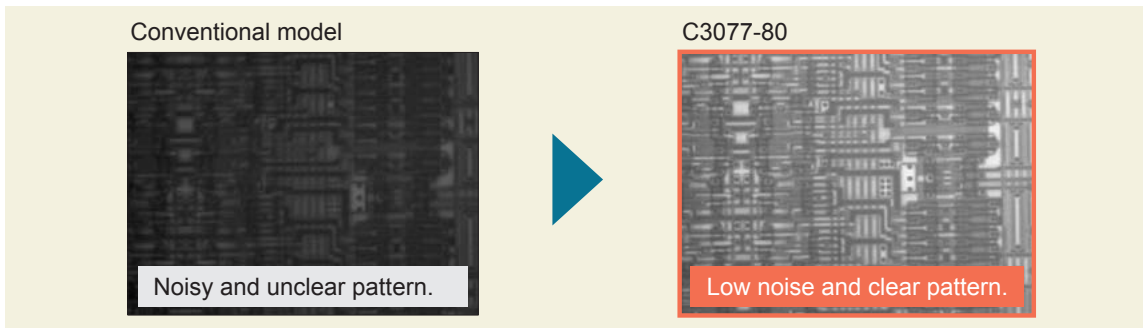
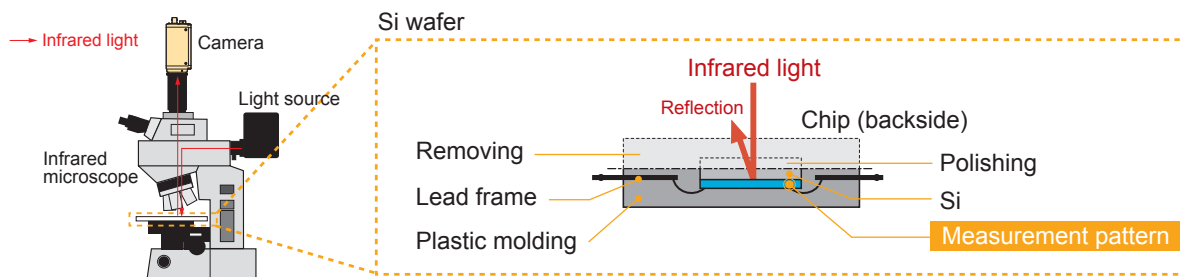
- High sensitivity in the NIR region
- EIA output

APPLICATIONS

- Si wafer / Device alignment
- COG alignment
- Si device internal inspection
- Ceramic substrate inspection

SAMPLE IMAGE

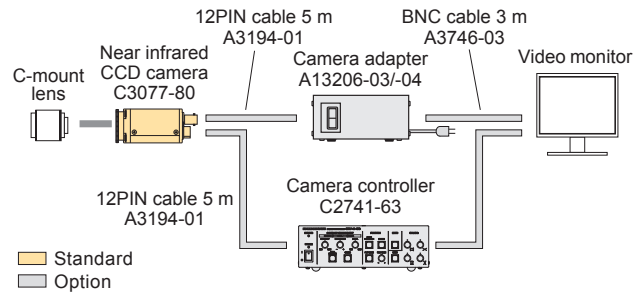
Pattern image inside a silicon device by NIR illumination (Objective lens: 50 × /1100 nm bandpass filter)



SPECIFICATIONS

Type number	C3077-80
Imaging device	2/3 inch frame transfer CCD
Effective number of pixels	648 (H) × 484 (V)
Cell size	14 μm (H) × 14 μm (V)
Effective area	9.0 mm (H) × 6.8 mm (V)
Output signal (Analog)	1.0 V p-p sync negative 75 Ω unbalanced
Frequency of horizontal/vertical	15.734 Hz / 59.94 Hz
Scan type	2 : 1 Interlace scan
Lens mount	C-mount
Sync type	Internal / External
External sync signal	HD / VD (Signal level : TTL)
Analog gain	AGC / Standard / Variable
Power requirements	DC +12 V
Power consumption	Approx. 4.5 VA
Ambient operating temperature	0 °C to +40 °C
Ambient operating humidity	70 % max. (with no condensation)
Ambient storage temperature	-10 °C to +50 °C

SYSTEM CONFIGURATION

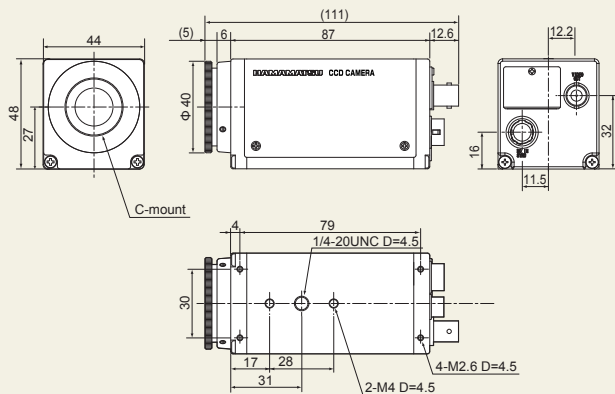


OPTIONS

- Camera adapter : A13206-03/-04
- 12PIN cable 5 m : A3194-01
- BNC cable 3 m : A3746-03
- Camera controller : C2741-63

DIMENSIONAL OUTLINES (Unit : mm)

- Camera (Approx. 0.23 kg)



- Camera controller C2741-63



- Contrast enhancement
- Automatic contrast enhancement
- Shading correction
- Noise reduction function
- Edge extraction
- Y correction

The C2741-63 is a stand alone video image processor used with the C3077-80 CCD camera. It provides exceptional functions such as contrast enhancement, detail enhancement, averaging and shading corrections.



▲ Before contrast enhancement



▲ After contrast enhancement

- Product and software package names noted in this documentation are trademarks or registered trademarks of their respective manufacturers.
 - Subject to local technical requirements and regulations, availability of products included in this promotional material may vary. Please consult your local sales representative.
 - Information furnished by HAMAMATSU is believed to be reliable. However, no responsibility is assumed for possible inaccuracies or omissions.
- Specifications and external appearance are subject to change without notice.

© 2016 Hamamatsu Photonics K.K.

HAMAMATSU PHOTONICS K.K. www.hamamatsu.com

HAMAMATSU PHOTONICS K.K., Systems Division

812 Joko-cho, Higashi-ku, Hamamatsu City, 431-3196, Japan, Telephone: (81)53-431-0124, Fax: (81)53-435-1574, E-mail: export@sys.hpk.co.jp

U.S.A.: Hamamatsu Corporation: 360 Foothill Road, Bridgewater, NJ 08807, U.S.A., Telephone: (1)908-231-0960, Fax: (1)908-231-1218 E-mail: usa@hamamatsu.com

Germany: Hamamatsu Photonics Deutschland GmbH: Arzbergerstr. 10, D-82211 Herrsching am Ammersee, Germany, Telephone: (49)8152-375-0, Fax: (49)8152-265-8 E-mail: info@hamamatsu.de

France: Hamamatsu Photonics France S.A.R.L.: 19, Rue du Saule Trapu, Parc du Moulin de Massy, 91882 Massy Cedex, France, Telephone: (33)1 69 53 71 00, Fax: (33)1 69 53 71 10 E-mail: infos@hamamatsu.fr

United Kingdom: Hamamatsu Photonics UK Limited: 2 Howard Court, 10 Tewin Road, Welwyn Garden City, Hertfordshire AL7 1BW, UK, Telephone: (44)1707-294888, Fax: (44)1707-325777 E-mail: info@hamamatsu.co.uk

North Europe: Hamamatsu Photonics Norden AB: Torshamnsgatan 35 16440 Kista, Sweden, Telephone: (46)8-509-031-00, Fax: (46)8-509-031-01 E-mail: info@hamamatsu.se

Italy: Hamamatsu Photonics Italia S.r.l.: Strada della Moia, 1 int. 6, 20020 Arese (Milano), Italy, Telephone: (39)02-935-81-733, Fax: (39)02-935-81-741 E-mail: info@hamamatsu.it

China: Hamamatsu Photonics (China) Co., Ltd.: 1201 Tower B, Jiaming Center, 27 Dongsanhuan Beilu, Chaoyang District, 100020 Beijing, China, Telephone: (86)10-6586-6006, Fax: (86)10-6586-2866 E-mail: hpc@hamamatsu.com.cn

Taiwan: Hamamatsu Photonics Taiwan Co., Ltd.: 8F-3, No.158, Section2, Gongdao 5th Road, East District, Hsinchu, 300, Taiwan R.O.C. Telephone: (886)03-659-0080, Fax: (886)07-811-7238 E-mail: info@tw.hpk.co.jp

Cat. No. SCAS0097E05
MAY/2016 HPK
Created in Japan