

InGaAs camera C14041-10U



FEATURES

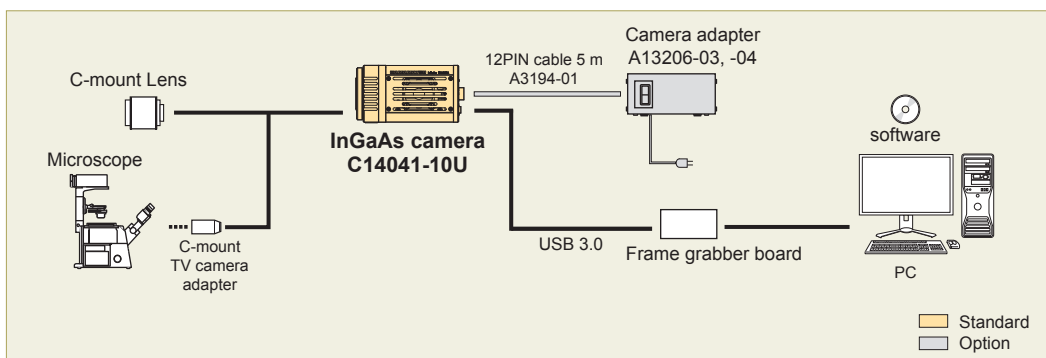
- High sensitivity in the near infrared region from 950 nm to 1700 nm
- 320 × 256 pixels
- Low noise and high stability with cooling
- High-image quality rolling shutter mode and the global shutter mode capable of simultaneous exposure to the entire screen mounted
- Frame rate of approx. 216 frames/s (rolling shutter mode)

APPLICATIONS

- Internal inspections of silicon wafers and devices
- Evaluation of solar cells
- Evaluation and analysis of optical communication devices
- EL/PL image acquisition

The C14041-10U is an InGaAs camera with high sensitivity in the near infrared region from 950 nm to 1700 nm. It has a USB 3.0 interface port which supports 14 bit image acquisition and exposure time adjustment. This makes the C14041-10U ideal for use in a wide range of applications including internal inspection of silicon wafers and devices, laser beam alignment and evaluation of solar cells.

SYSTEM CONFIGURATION

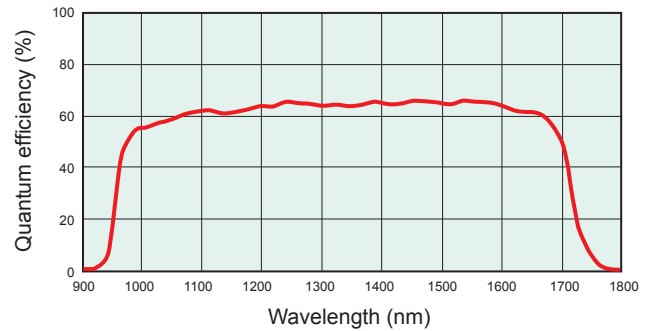


SPECIFICATIONS

Type number	C14041-10U	
Imaging device	InGaAs sensor	
Effective number of pixels	320 (H) × 256 (V)	
Pixel size	20 μm (H) × 20 μm (V)	
Effective area	6.4 mm (H) × 5.12 mm (V)	
Cooling method	Peltier cooling	
Cooling temperature	Forced-air cooled (Ambient temperature: +25 °C)	+10 °C
Frame rate	Rolling shutter	216.6 frames/s
	Global shutter	214.3 frames/s
Digital output	14 bit	
Exposure time *1	Rolling shutter	4.6 ms to 1 s
	Global shutter	100 μs to 1 s
External trigger input mode	Edge trigger, Level trigger, Start trigger	
Trigger delay function	0 s to 1 s in 10 μs steps	
Trigger input connector	SMA	
Interface	USB 3.0	
Image processing functions	Background subtraction, Shading correction	
Lens mount	C-mount	
Connector	USB 3.0 microB type	
Power supply	DC +12 V	
Power consumption	Approx. 16 W	
Ambient operating temperature *1	0 °C to +40 °C	
Ambient operating humidity	30 % to 80 % (with no condensation)	
Ambient storage temperature	-10 °C to +50 °C	
Ambient storage humidity	90 % max. (with no condensation)	

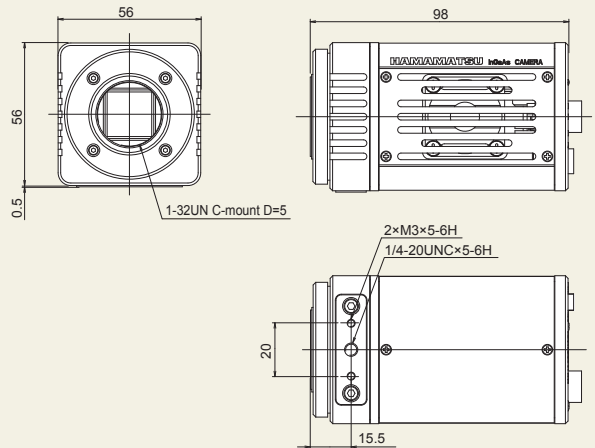
*1: Depend on the exposure time or ambient temperature, brighter or darker pixels than surrounding area or uneven pattern may appear in the image.
It comes from the characteristics of InGaAs sensor and not the defects or failure of the camera.

SPECTRAL RESPONSE



DIMENSIONAL OUTLINES (Unit : mm)

● Camera (Approx. 0.52 kg)



OPTIONS

- Camera adapter: A13206-03 (for US)
: A13206-04 (for EU)
- 12PIN cable 5 m: A3194-01

★ **Product and software package names noted in this documentation are trademarks or registered trademarks of their respective manufacturers.**

- Subject to local technical requirements and regulations, availability of products included in this promotional material may vary. Please consult your local sales representative.
- Information furnished by HAMAMATSU is believed to be reliable. However, no responsibility is assumed for possible inaccuracies or omissions. Specifications and external appearance are subject to change without notice.
- The spectral response specified in this catalog is typical value, it is not guaranteed.

© 2018 Hamamatsu Photonics K.K.

HAMAMATSU PHOTONICS K.K. www.hamamatsu.com

HAMAMATSU PHOTONICS K.K., Systems Division

812 Joko-cho, Higashi-ku, Hamamatsu City, 431-3196, Japan, Telephone: (81)53-431-0124, Fax: (81)53-433-8031, E-mail: export@sys.hpk.co.jp

U.S.A.: Hamamatsu Corporation: 360 Foothill Road, Bridgewater, NJ 08807, U.S.A., Telephone: (1)908-231-0960, Fax: (1)908-231-1218 E-mail: usa@hamamatsu.com

Germany: Hamamatsu Photonics Deutschland GmbH: Arzbergerstr. 10, D-82211 Herrsching am Ammersee, Germany, Telephone: (49)8152-375-0, Fax: (49)8152-265-8 E-mail: info@hamamatsu.de

France: Hamamatsu Photonics France S.A.R.L.: 19, Rue du Saule Trapu, Parc du Moulin de Massy, 91882 Massy Cedex, France, Telephone: (33)1 69 53 71 00, Fax: (33)1 69 53 71 10 E-mail: infos@hamamatsu.fr

United Kingdom: Hamamatsu Photonics UK Limited: 2 Howard Court, 10 Tewin Road, Welwyn Garden City, Hertfordshire AL7 1BW, UK, Telephone: (44)1707-294888, Fax: (44)1707-325777 E-mail: info@hamamatsu.co.uk

North Europe: Hamamatsu Photonics Norden AB: Torshamnsgatan 35 16440 Kista, Sweden, Telephone: (46)8-509 031 00, Fax: (46)8-509 031 01 E-mail: info@hamamatsu.se

Italy: Hamamatsu Photonics Italia S.r.l.: Strada della Moia, 1 int. 6, 20020 Arese (Milano), Italy, Telephone: (39)02-93 58 17 33, Fax: (39)02-93 58 17 41 E-mail: info@hamamatsu.it

China: Hamamatsu Photonics (China) Co., Ltd.: 1201 Tower B, Jiaming Center, 27 Dongsanhuan Beilu, Chaoyang District, 100020 Beijing, China, Telephone: (86)10-6586-6006, Fax: (86)10-6586-2866 E-mail: hpc@hamamatsu.com.cn

Taiwan: Hamamatsu Photonics Taiwan Co., Ltd.: 8F-3, No.158, Section2, Gongdao 5th Road, East District, Hsinchu, 300, Taiwan R.O.C. Telephone: (886)03-659-0080, Fax: (886)03-659-0081 E-mail: info@hamamatsu.com.tw

Cat. No. SCAS0119E03
MAR/2018 HPK
Created in Japan