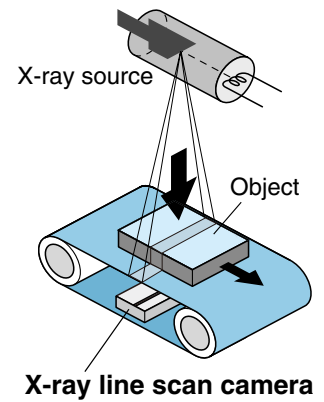


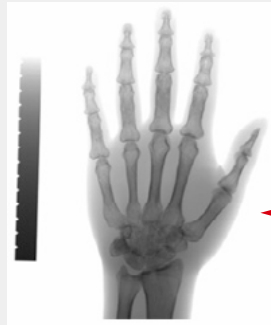
# Application Note : 5

**X-ray**  
line scan camera

**Medical**



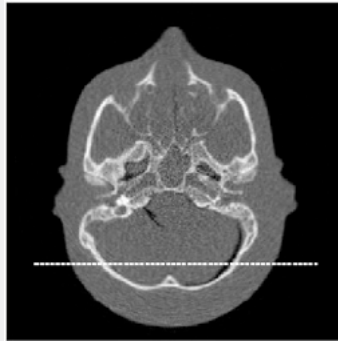
## Hand (Phantom model) bone density test



Bone density test can be done with minimum X-ray exposure by using the line scanning method and an X-ray source collimator.

Test of bone fracture and bone density

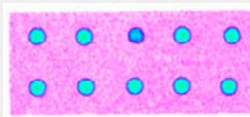
## Head (Phantom model) CT imaging



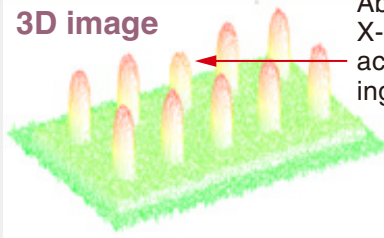
A wider detection width helps reconstruct CT images across the entire periphery yet at an even smaller angle. This is extremely effective for capturing CT images of immobile patients.

CT image

## Inspection of tablets



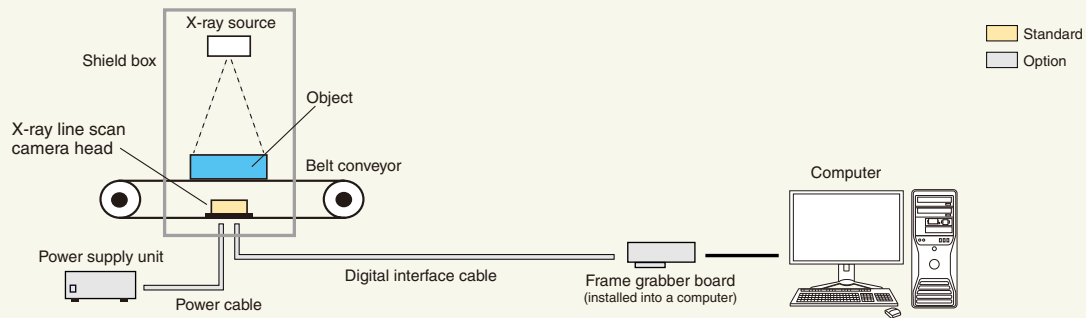
Pseudo color



Absorption of X-rays varies according to the ingredients.

Easily checks the preparation condition of main ingredients as well as cracks and notches in each and every tablet by a combination of high dynamic imaging and high sensitivity to low energy X-rays. It is found from the captured image that tablets having low image intensity on three-dimensional display have a different preparation condition even among tablets of the same size.

## System configuration



### Note

- The X-ray line scan camera consists of only a sensor head. The image display equipment and the X-ray source should be ordered separately.
- The power supply unit, digital interface cable, computer, X-ray source are necessary. Please consult your local sales representative about connector formats.

★ The X-ray line scan camera as medical devices may be subject to government regulations where they are used. Hamamatsu makes no representation with regard to the conformity of these products to these regulations. Please consult your local sales representative for more information.

★ Product and software package names noted in this documentation are trademarks or registered trademarks of their respective manufacturers.

- Subject to local technical requirements and regulations, availability of products included in this promotional material may vary. Please consult your local sales representative.
- Information furnished by HAMAMATSU is believed to be reliable. However, no responsibility is assumed for possible inaccuracies or omissions. Specifications and external appearance are subject to change without notice.
- Please note the X-Ray images on this brochure are taken for test purpose, the images do not reflect actual qualities of the products on the market.

© 2015 Hamamatsu Photonics K.K.

**HAMAMATSU PHOTONICS K.K.** [www.hamamatsu.com](http://www.hamamatsu.com)

**HAMAMATSU PHOTONICS K.K., Systems Division**

**812 Joko-cho, Higashi-ku, Hamamatsu City, 431-3196, Japan, Telephone: (81)53-431-0124, Fax: (81)53-435-1574, E-mail: [export@sys.hpk.co.jp](mailto:export@sys.hpk.co.jp)**

**U.S.A.:** Hamamatsu Corporation: 360 Foothill Road, Bridgewater, N.J 08807, U.S.A., Telephone: (1)908-231-0960, Fax: (1)908-231-1218 E-mail: [usa@hamamatsu.com](mailto:usa@hamamatsu.com)

**Germany:** Hamamatsu Photonics Deutschland GmbH.: Arzbergerstr. 10, D-82211 Herrsching am Ammersee, Germany, Telephone: (49)8152-375-0, Fax: (49)8152-265-8 E-mail: [info@hamamatsu.de](mailto:info@hamamatsu.de)

**France:** Hamamatsu Photonics France S.A.R.L.: 19, Rue du Saule Trapu, Parc du Moulin de Massy, 91882 Massy Cedex, France, Telephone: (33)1 69 53 71 00, Fax: (33)1 69 53 71 10 E-mail: [infos@hamamatsu.fr](mailto:infos@hamamatsu.fr)

**United Kingdom:** Hamamatsu Photonics UK Limited: 2 Howard Court, 10 Tewin Road, Welwyn Garden City, Hertfordshire AL7 1BW, UK, Telephone: (44)1707-294888, Fax: (44)1707-325777 E-mail: [info@hamamatsu.co.uk](mailto:info@hamamatsu.co.uk)

**North Europe:** Hamamatsu Photonics Norden AB: Torshamnsgatan 35 16440 Kista, Sweden, Telephone: (46)8-509-031-00, Fax: (46)8-509-031-01 E-mail: [info@hamamatsu.se](mailto:info@hamamatsu.se)

**Italy:** Hamamatsu Photonics Italia S.r.l.: Strada della Moia, 1 int. 6 20020 Arese (Milano), Italy, Telephone: (39)02-93581733, Fax: (39)02-93581741 E-mail: [info@hamamatsu.it](mailto:info@hamamatsu.it)

**China:** Hamamatsu Photonics (China) Co., Ltd.: B1201 Jiaming Center, No.27 Dongsanhuan Beilu, Chaoyang District, Beijing 100020, China, Telephone: (86)10-6586-6006, Fax: (86)10-6586-2866 E-mail: [hpc@hamamatsu.com.cn](mailto:hpc@hamamatsu.com.cn)

Cat. No. SFAS0012E04  
JUL/2015 HPK  
Created in Japan